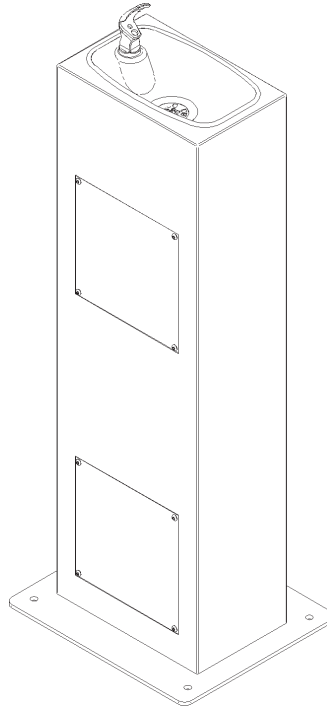


# Halsey Taylor Owners Manual

## Model 4715

### Floor Mounted Steel Fountain



## **INSTALLER**

Halsey Taylor Fountains are among the easiest to install Fountains on the market today. To assure you install these models easily and correctly, PLEASE READ THESE SIMPLE INSTRUCTIONS BEFORE STARTING THE INSTALLATION. CHECK YOUR INSTALLATION FOR COMPLIANCE WITH PLUMBING, ELECTRICAL, AND OTHER APPLICABLE CODES. After installation, leave these instructions with the Fountain for future reference.

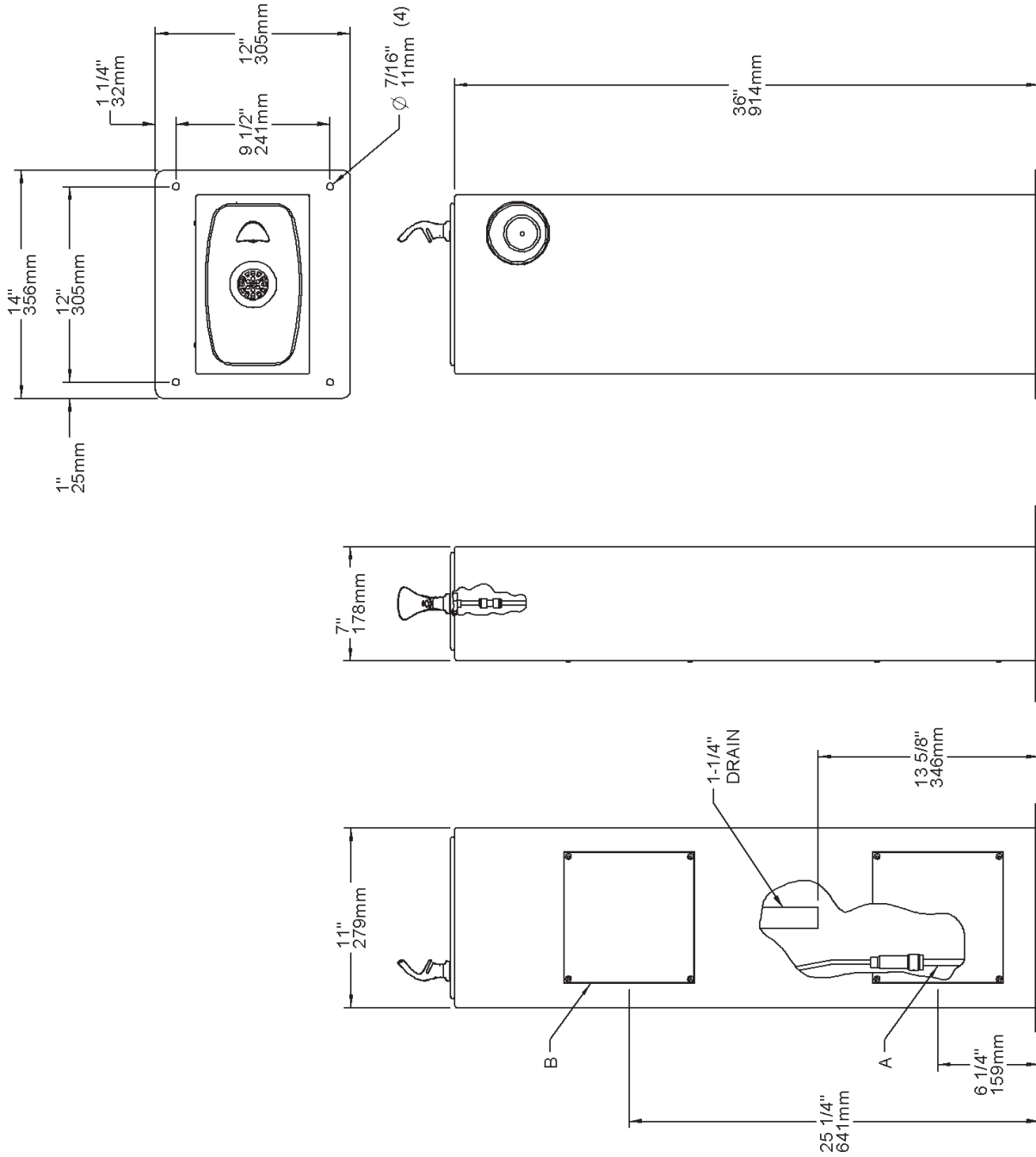
## **IMPORTANT**

**ALL SERVICE TO BE PERFORMED BY AN AUTHORIZED SERVICE PERSON**

## **IMPORTANT! INSTALLER PLEASE NOTE.**

THE GROUNDING OF ELECTRICAL EQUIPMENT SUCH AS TELEPHONE, COMPUTERS, ETC. TO WATER LINES IS A COMMON PROCEDURE. THIS GROUNDING MAY BE IN THE BUILDING OR MAY OCCUR AWAY FROM THE BUILDING. THIS GROUNDING CAN CAUSE ELECTRICAL FEEDBACK INTO A FOUNTAIN, CREATING AN ELECTROLYSIS WHICH CAUSES A METALLIC TASTE OR AN INCREASE IN THE METAL CONTENT OF THE WATER. THIS CONDITION IS AVOIDABLE BY USING THE PROPER MATERIALS AS INDICATED. ANY DRAIN FITTINGS PROVIDED BY THE INSTALLER SHOULD BE MADE OF PLASTIC TO ELECTRICALLY ISOLATE THE FOUNTAIN FROM THE BUILDING PLUMBING SYSTEM.

4715 FOUNTAIN



**LEGEND**  
 A = 3/8" O.D. UNPLATED COPPER TUBE CONNECT - SHUT OFF VALVE BY OTHERS  
 B = ACCESS PANEL

## 4715 FOUNTAIN

1. This fountain is to be mounted on a smooth, flat, finished surface with adequate support structure.  
NOTE: Mounting structure must be capable of supporting 300 lb. load on fountain.
2. Refer to rough-in for plumbing.
3. Install shut-off valve on water supply. (Valve not furnished)
4. Locate and install fountain using 3/8" minimum screws or bolts. (Screws or bolts not furnished)
5. Connect water supply and fountain drain. Water connection and drain must comply with local codes.
6. Turn on water supply and check all connections for leaks.

**CAUTION:** This fountain is rated for inlet water pressure of 20-105 PSI. A pressure reducing regulator should be used if the inlet water supply exceeds 105 PSI. Any damage caused by reason of connecting this product to supply line pressures lower than 20 psig or higher than 105 psig is not covered by warranty.

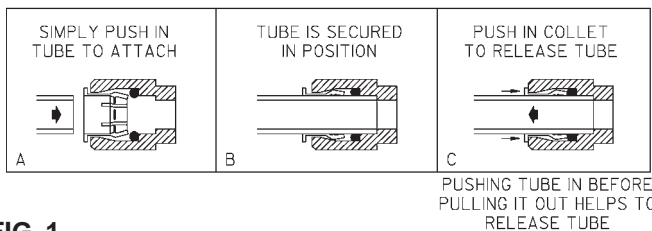
7. Water supply 3/8" O.D. unplated copper tube. Waste 1-1/4" IPS. Contractor to supply waste trap and service stop valve in accordance with local code.
8. Connecting lines to be made of unplated copper and should be thoroughly flushed to remove all foreign matter before being connected to fountain. This fountain is manufactured in such a manner that it does not in anyway cause taste, odor, color or sediment problems.
9. Connect fountain to supply line with a shut-off valve and install a 3/8" unplated copper water line between the valve and the cooler. Remove any burrs from outside of water line. Push the tubes straight into the fittings until they reach a positive stop, approximately 3/4" (See Figs. 1 and 2). DO NOT SOLDER TUBE INSERTED INTO THE STRAINER AS DAMAGE TO THE O-RINGS MAY RESULT.

## TROUBLE SHOOTING AND MAINTENANCE

**Actuation of Quick Connect Water Fittings:** Fountain is provided with lead-free connectors which utilize an o-ring water seal. To remove tubing from the fitting, relieve water pressure, push in on the gray collar while pulling on the tubing. (See Fig. 1) To insert tubing, push tube straight into fitting until it reaches a positive stop, approximately 3/4".

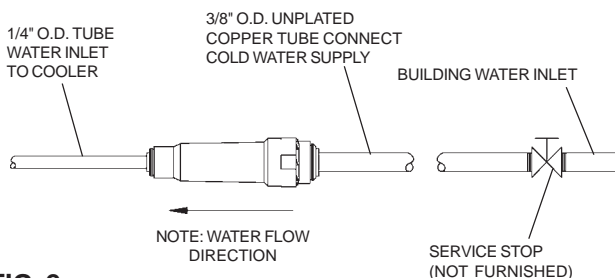
**Orifice Assy:** Mineral deposits on orifice can cause water flow to spurt or not regulate. Mineral deposits may be removed from the orifice with a small round file not over 1/8" diameter or small diameter wire. **CAUTION: DO NOT** file or cut orifice material.

### OPERATION OF QUICK CONNECT FITTINGS

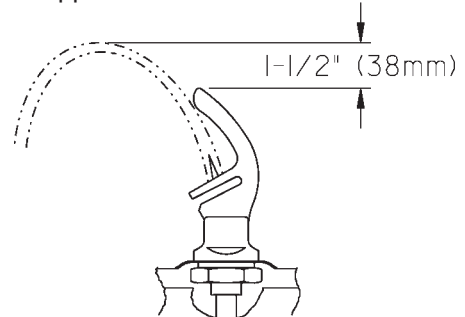


**FIG. 1**

**Stream Height Adjustment:** Stream height is factory set at 35 PSI. If supply pressure varies greatly from this, adjust screw on item 20, by using a small screw driver through the small hole in the push button (Item 10). Clockwise adjustment will raise stream and counter-clockwise adjustment will lower stream. For best adjustment, stream should hit basin approx. 6-1/2" from bubbler.



**FIG. 2**



**FIG. 3**

# 4715 FOUNTAIN

## ITEMIZED PARTS LIST

ITEMNO.	PART NO.	DESCRIPTION
1	100147140560	Drain Gasket
2	100322740560	Gasket
3	101570540560	Drain Gasket
4	110544942550	Set Screw #8-32 X .125
5	110868642550	Socket Head Screw #10-24 x .75
6	160270508640	Strainer Plate
7	15005C	Regulator Retaining Nut
8	170705042830	Basin
9	28091C	Nameplate Insert
10	45662C	Push Button
11	45663C	Push Button Sleeve
12	45851C	Bubbler
13	40045C	Hex Nut 1-5/16-20UN
14	45829C	Fountain Body
15	45842C	Access Panel
16	50986C	Regulator Holder
17	55913C	Drain Adaptor
18	55996C	In - Line Strainer
19	600985451640	Drain Plug
20	61313C	Regulator
21	15013C	Bubbler Tube Assy.
22	66346C	Drain Tube
23	75534C	Pinned Torx Screw #10-24
24	75588C	Slip Joint Nut 1-1/4
25	75589C	Gasket
26	75672C	Screw - Cap #6-32 x 5/16
27	70683C	Union - 1/4
28	28308C	Washer
NS	56092C	Poly Tubing (Cut to Length)
NS	75596C	Paint Touch-up (Pen)

### Touch-up Paint

For minor scratches a Touch-up Paint Stick is available. For repairing large defects, off-the-shelf aerosol paint from your local hardware store can be used. Listed are two suggested brandnames.

- Brandname: X-O  
XO-11 Hunter Green
- Brandname: Ace Hardware  
Rust Stop / Machine & Implement  
International Green

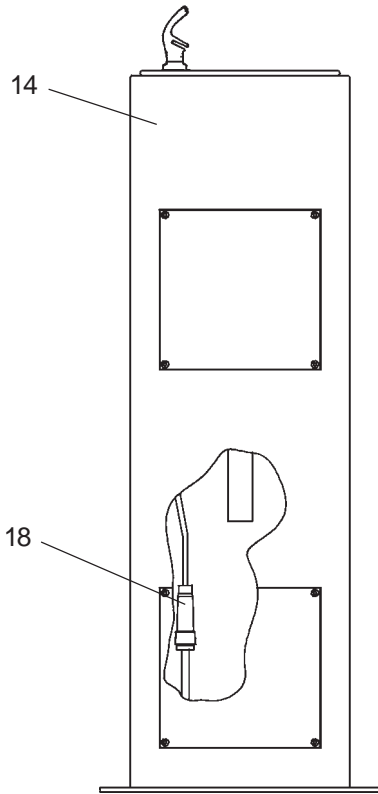


FIG. 4

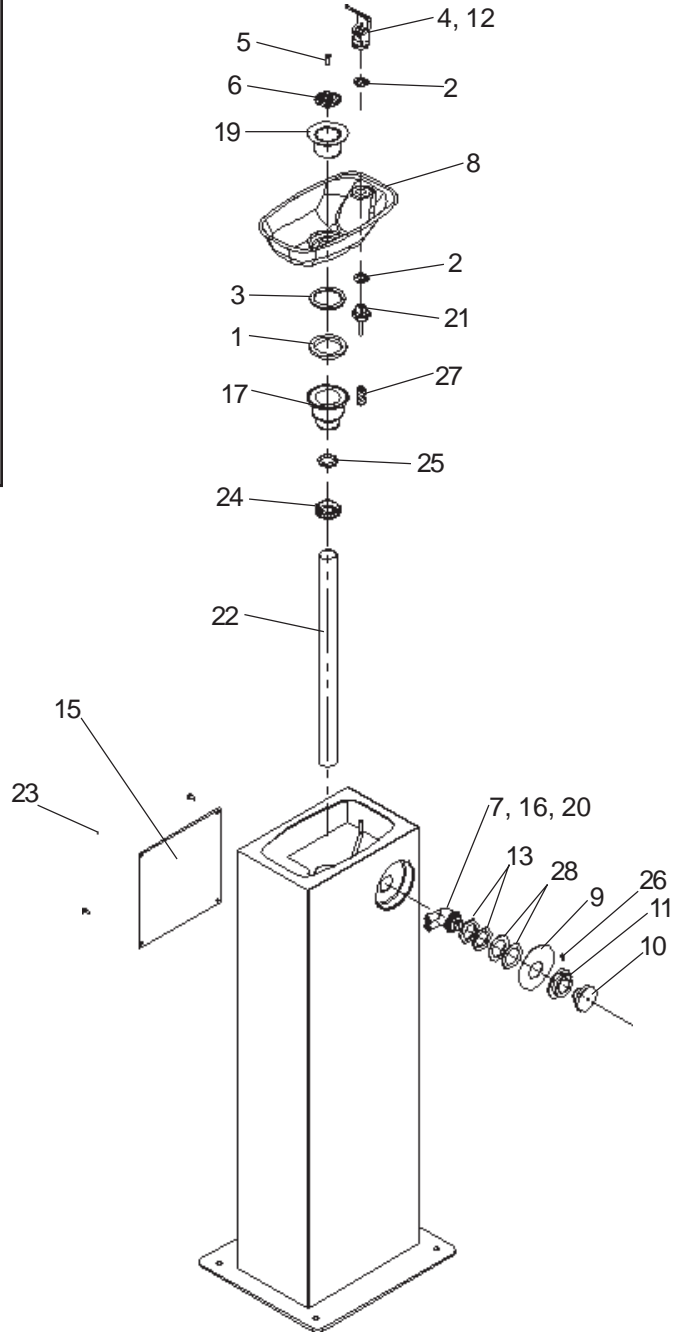


FIG. 5

**Halsey Taylor**  
2222 CAMDEN COURT  
OAK BROOK, IL 60523  
630.574.3500