

Installation/Care/Use Manual

USES HFC-134A REFRIGERANT

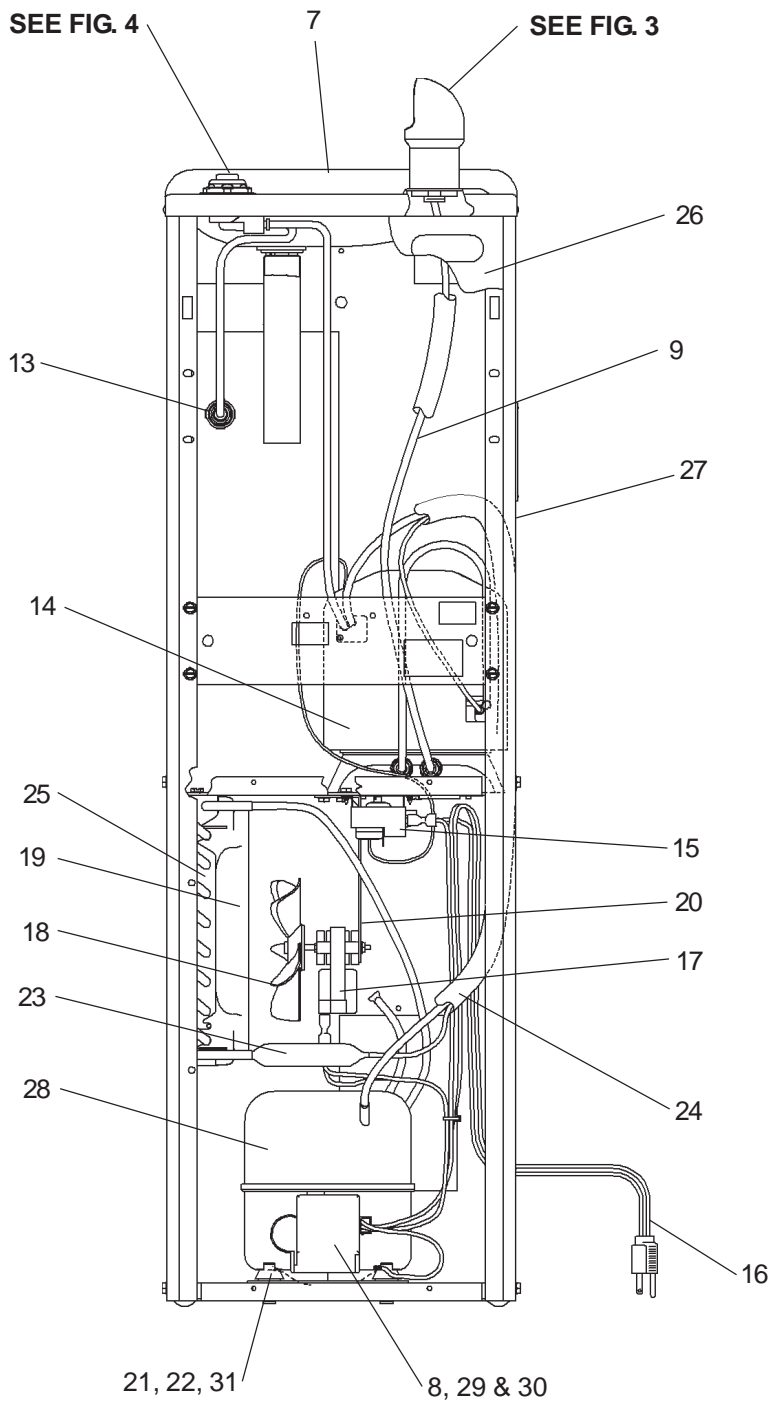


FIG. 1

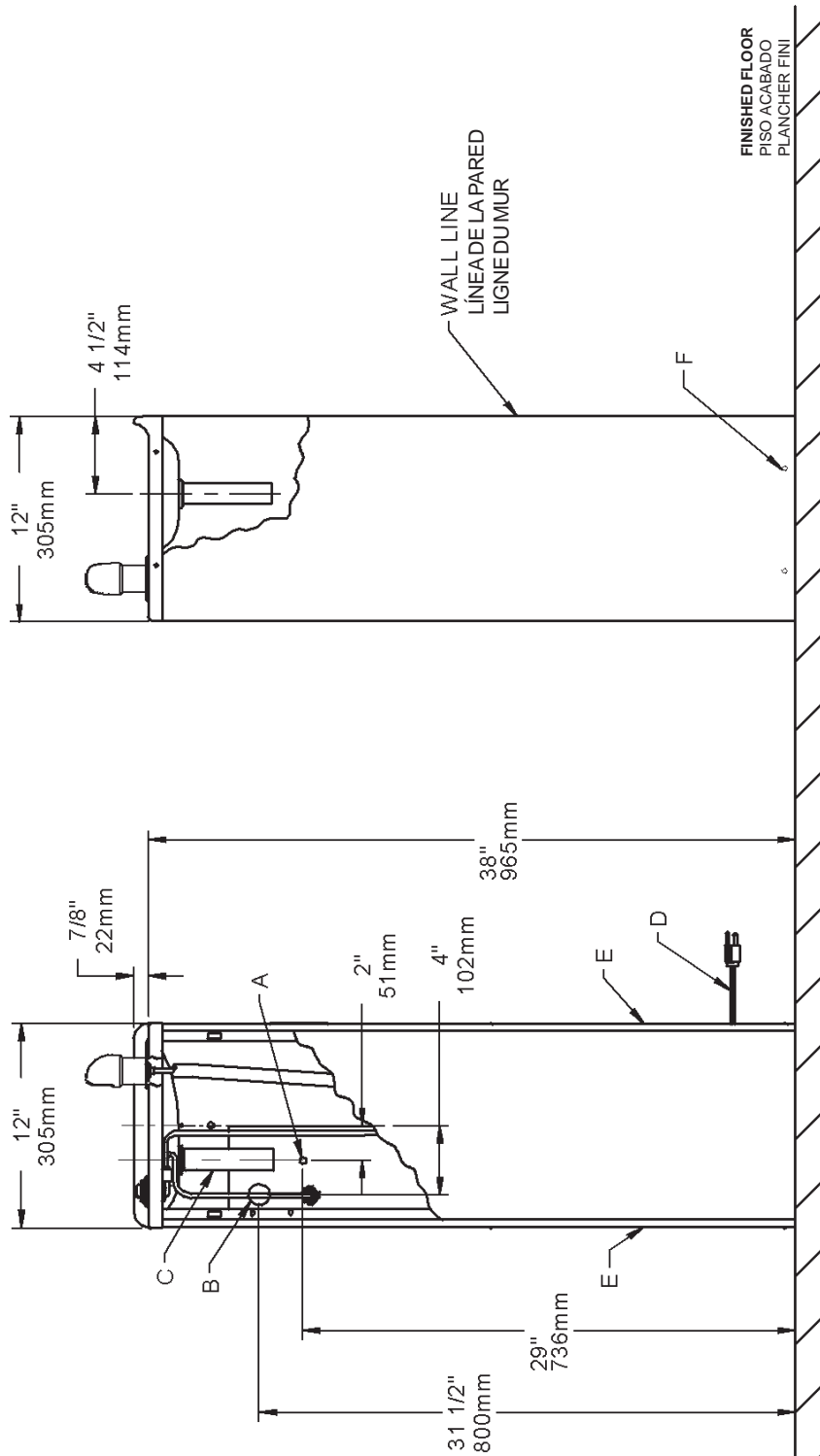


FIG. 2

LEGEND/LEYENDA/LÉGENDE
A = RECOMMENDED WATER SUPPLY LOCATION, SHUT OFF VALVE (NOT FURNISHED)
TO ACCEPT 3/8" O.D. UNPLATED COPPER TUBE.
 POSICIÓN DE ABASTECIMIENTO DE AGUA RECOMENDADA. VÁLVULA CERRADA (NO AMUEBLADO)
 PARA ACEPTAR 3/8" O.D. TUBO DE COBRE NO PLATEADO.

B = RECOMMENDED LOCATION FOR WASTE OUTLET 1-1/4" O.D. DRAIN
 UBICACIÓN RECOMENDADA PARA EL DRENAJE DE SALIDA DE AGUA DE 1-1/4" DE DIÁMETRO.
 EMPACEMENT RECOMMANDÉ POUR LE DRAIN DE D.E. 1-1/4" DE SORTIE D'EAU.

C = 1-1/4" TRAP NOT FURNISHED
 PURGADOR DE 1-1/4" NO PROPORCIONADO
 SIPHON 1-1/4" NON FOURNI

D = POWER CORD 4 FEET (1219mm) LONG
 CABLE ELÉCTRICO DE 4 PIE (1219mm), DE LARGO
 CORDON D'ALIMENTATION 4' (1219mm)

E = INSURE PROPER VENTILATION BY MAINTAINING 4" (102mm) (MIN.) CLEARANCE FROM CABINET LOUVERS TO WALL.
 ASEGURE UNA VENTILACIÓN ADECUADA MANTENIENDO UN ESPACIO E 4" (102mm) (MIN.) DE HOLGURA ENTRE LA
 REJILLA DE VENTILACIÓN DEL MUEBLE Y LA PARED
 ASSUREZ-VOUS UNE BONNE VENTILATION EN GARDANT 4" (102mm) (MIN.) ENTRE LES ÉVENTS DE L'ENCEINTE ET LE
 MUR.

**F = TO LEVEL UNIT, LOOSEN SCREWS TO ADJUST BASE FOR CONTACT WITH FLOOR. TIGHTEN SCREWS AFTER UNIT HAS
 BEEN LEVELLED.**
 PARA NIVELAR LA UNIDAD, AFLOJE LOS TORNILLOS PARA AJUSTAR LA BASE PARA QUE HAYA CONTACTO CON EL PISO.
 APRIETE LOS TORNILLOS DESPUÉS DE QUE SE HAYA NIVELADO LA UNIDAD.

**POUR NIVELER L'UNITÉ, DESERREZ LES VIS POUR AJUSTER LA BASE AU CONTACT AVEC LE PLANCHER. SERREZ LES
 VIS APRÈS QUE L'UNITÉ AIT ÉTÉ NIVELÉE.**

Note: When installing replacement bubbler, tighten nut (Item 12) only to hold parts snug in position. **Do not over tighten.**

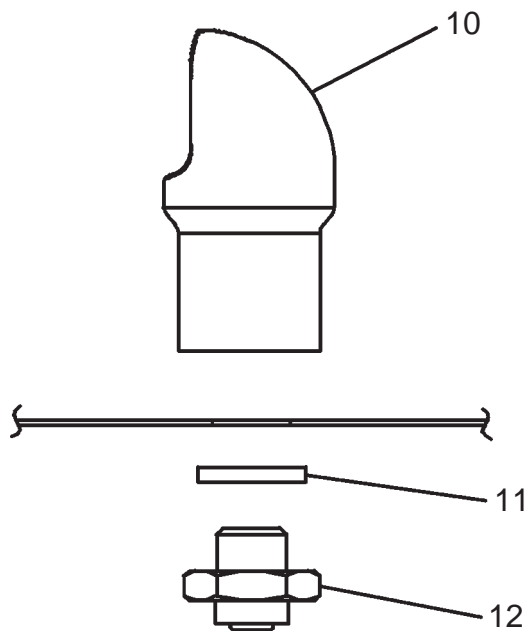


FIG. 3

Stream height is factory set at 35 PSI. If supply pressure varies greatly from this, remove Items 1 & 2 and adjust screw on Item 4. Clockwise adjustment will raise stream and counter-clockwise adjustment will lower stream. For best adjustment, stream should hit basin approximately 6-1/2" (165mm) from bubbler.

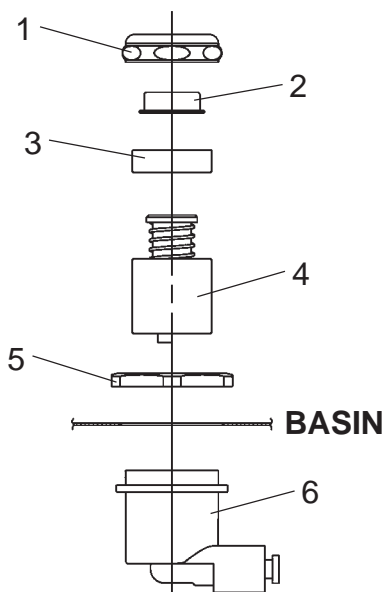
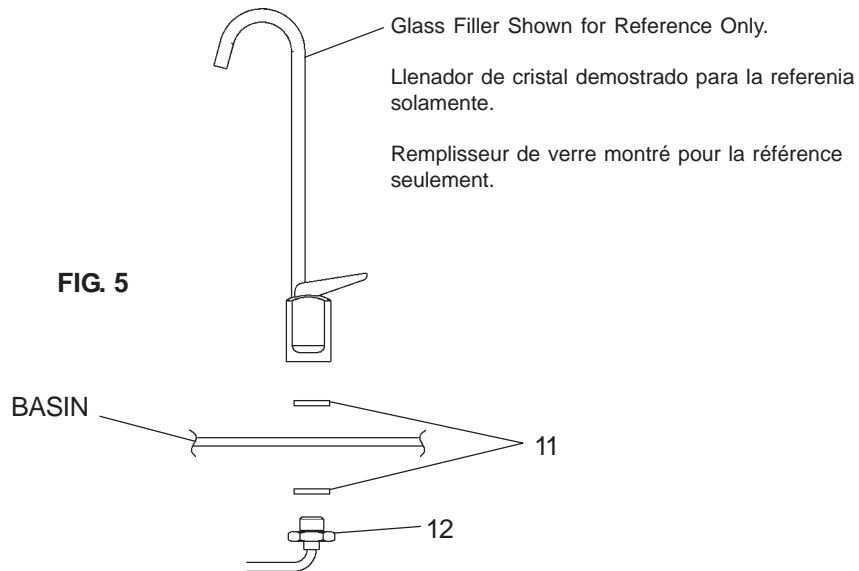


FIG. 4

PARTS LIST 115V		
ITEM NO.	PARTNO.	DESCRIPTION
1	40089C	Cover
2	40048C	Button
3	15005C	Regulator Retaining Nut
4	61313C	Regulator
5	40169C	Hex Nut
6	50986C	Regulator Holder
7	21781C	Basin & Drain Assy
	21782C	Basin & Drain Assy (GF)
8	36231C	Relay
9	56092C	Poly Tubing (Cut To Length)
10	98118C	Bubbler Assembly
11	100322740560	Washer
12	15009C	Bubbler Nipple
13	55996C	Strainer
14	66533C	Evaporator Assy
15	31513C	Cold Control
16	31501C	Power Cord
17	31341C	Fan Motor
18	30824C	Fan Blade
19	56237C	Shroud - Fan
20	42677000	Fan Motor Bracket
21	50144C	Grommet - Compressor Mtg.
22	19037000	Clip - Compressor Mtg.
23	66704C	Drier
24	66749C	Heat Exchanger
25	66473C	Condenser
26	20460C	Front Panel (Stainless Steel)
	21482C	Front Panel (Sandalwood)
27	21239C	Cabinet (Stainless Steel)
	21486C	Cabinet (Sandalwood)
*28	36242C	Compressor Serv. Pak EM45HHR
29	35768C	Cover - Relay
30	36236C	Overload
31	75706C	Stud - Compressor Mtg.

PARTS LIST 230V-50/60Hz		
ITEM NO.	PARTNO.	DESCRIPTION
8	36232C	Relay
16	31505C	Power Cord
17	31395C	Fan Motor
24	66763C	Heat Exchanger
*28	36243C	Compressor Serv Pak
30	36237C	Overload

*REPLACE WITH SAME COMPRESSOR USED IN ORIGINAL ASSEMBLY.
 NOTE: All correspondence pertaining to ELKAY water coolers or orders for repair parts MUST include Model No. and Serial No. of cooler, name and part number of replacement part.



REPAIR SERVICE INFORMATION TOLL FREE NUMBER 1.800.260.6640
 FOR PARTS, CONTACT YOUR LOCAL DISTRIBUTOR OR CALL 1.800.323.0620

PRINTED IN U.S.A.

ELKAY MANUFACTURING COMPANY • 2222 CAMDEN COURT • OAK BROOK, IL 60523 • 630.574.8484