



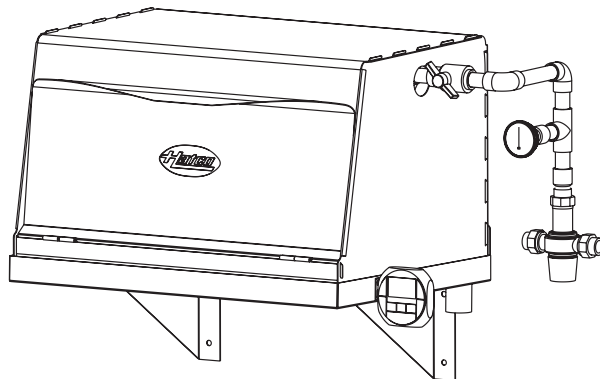
# Hatco Quick Thaw

*HQT Series*

---

*HQT-1*

---



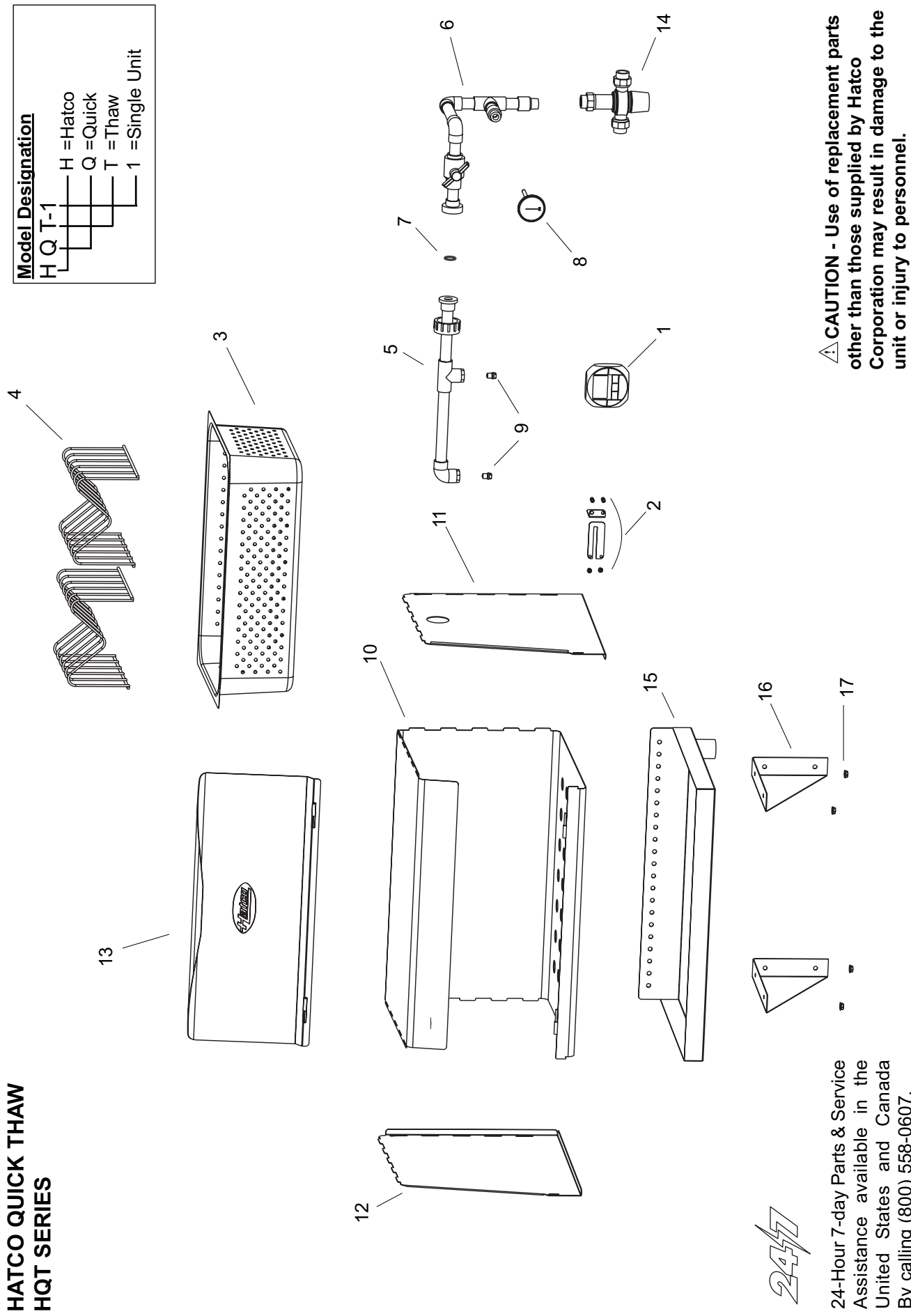
**REPLACEMENT  
PARTS LIST**

---

**HATCO QUICK THAW  
HQT SERIES**

**Model Designation**

|   |   |     |                 |
|---|---|-----|-----------------|
| H | Q | T-1 |                 |
|   |   |     | H = Hatco       |
|   |   |     | Q = Quick       |
|   |   |     | T = Thaw        |
|   |   |     | 1 = Single Unit |



24-Hour 7-day Parts & Service  
Assistance available in the  
United States and Canada  
By calling (800) 558-0607.

**⚠ CAUTION - Use of replacement parts  
other than those supplied by Hatco  
Corporation may result in damage to the  
unit or injury to personnel.**

**PARTS COMMON TO ALL HQT MODELS**

| <b>ITEM</b> | <b>DESCRIPTION</b>                        | <b>PART NO.</b> | <b>QTY.</b> |
|-------------|---|-----------------|-------------|
| 1           | Digital Timer w/memory*                   | 02.20.333.00    | 1           |
| 2           | Timer Bracket Assembly*                   | R04.44.008.00   | 1           |
| 3           | Pan, Full Size, Perforated,<br>6" Deep*   | 04.09.676.00    | 1           |
| 4           | Single Serve Rack*                        | 04.44.007.00    | 2           |
| 5           | Spray Manifold Assembly                   | R00.03.0004.00  | 1           |
| 6           | Inlet Manifold Assembly                   | R00.03.0005.00  | 1           |
| 7           | O-Ring for Manifold                       | 03.40.094A.00   | 1           |
| 8           | Temperature Gauge                         | 03.01.010.00    | 1           |
| 9           | Spray Nozzle                              | 03.40.098.00    | 2           |
| 10          | Core Assembly, Stainless Steel            | 04.44.001.00    | 1           |
| 11          | End panel, Right Hand,<br>Stainless Steel | 04.44.002.00    | 1           |
| 12          | End Panel, Left Hand,<br>Stainless Steel  | 04.44.003.00    | 1           |
| 13          | Front Door, Stainless Steel               | 04.44.004.00    | 1           |
| 14          | Mixing Valve,<br>Water Temperature        | 03.02.041.00    | 1           |
| 15          | Drain Pan Assembly                        | 04.44.005.00    | 1           |
| 16          | Support Gusset                            | 04.44.006.00    | 2           |
| 17          | Nut, 1/4-20", Stainless Steel             | 05.04.512.00    | 4           |

\*Optional Item

## HATCO AUTHORIZED PARTS DISTRIBUTORS

### ALABAMA

Jones McLeod Appl. Svc.  
Birmingham 205-251-0159

### ARIZONA

Auth. Comm. Food Equip.  
Phoenix 602-234-2443  
Byassee Equipment Co.  
Phoenix 602-252-0402

### CALIFORNIA

Industrial Electric  
Huntington Beach 714-379-7100  
Chapman Appl. Service  
San Diego 619-298-7106  
P & D Appliance  
S. San Francisco 650-635-1900

### COLORADO

Hawkins Commercial Appliance  
Englewood 303-781-5548

### DELAWARE

Food Equipment Service  
Wilmington 302-996-9363

### FLORIDA

Whaley Foodservice Repair  
Jacksonville 904-725-7800  
Universal Restaurant Services  
Miami 305-593-5488  
Nass Service Co., Inc.  
Orlando 407-425-2681  
B.G.S.I.  
Pompano Beach 954-971-0456  
Comm. Appliance Service  
Tampa 813-663-0313

### GEORGIA

TWC Services  
Smyrna 770-438-9797  
Heritage Service Group  
Norcross 866-388-9837  
Southeastern Rest. Svc.  
Norcross 770-446-6177

### HAWAII

Burney's Comm. Service, Inc.  
Honolulu 808-848-1466  
Food Equip Parts & Service  
Honolulu 808-847-4871

### ILLINOIS

Parts Town  
Lombard 708-865-7278  
Eichenauer Elec. Service  
Decatur 217-429-4229  
Midwest Elec. Appl. Service  
Elmhurst 630-279-8000  
Cone's Repair Service  
Moline 309-797-5323

### INDIANA

GCS Service  
Indianapolis 317-545-9655

### IOWA

Electric Motor Service Co.  
Davenport 319-323-1823  
Goodwin Tucker Group  
Des Moines 515-262-9308

### KENTUCKY

GCS Service  
Louisville 502-367-1788

### LOUISIANA

Chandlers Parts & Service  
Baton Rouge 225-272-6620

### MARYLAND

Electric Motor Service  
Baltimore 410-467-8080

GCS Service  
Silver Spring 301-585-7550

### MASSACHUSETTS

Ace Service Co., Inc.  
Needham 781-449-4220

### MICHIGAN

Commercial Kitchen Service  
Bay City 517-893-4561  
Bildons Appliance Service  
Detroit 248-478-3320  
Midwest Food Equip. Service  
Grandville 616-261-2000

### MINNESOTA

GCS Service  
Minneapolis 612-546-4221

### MISSOURI

General Parts  
Kansas City 816-421-5400  
Commercial Kitchen Services  
St. Louis 314-890-0700  
Kaemmerlen Parts & Service  
St. Louis 314-535-2222

### NEBRASKA

Anderson Electric  
Omaha 402-341-1414

### NEVADA

Burney's Commercial  
Las Vegas 702-736-0006  
Hi. Tech Commercial Service  
N. Las Vegas 702-649-4616

### NEW JERSEY

Jay Hill Repair  
Fairfield 973-575-9145  
Service Plus  
Flanders 973-691-6300

### NEW YORK

Acme American Repairs, Inc.  
Brooklyn 718-456-6544  
Alpro Service Co.  
Brooklyn 718-386-2515  
Appliance Installation  
Buffalo 716-884-7425  
Northern Parts Dist.  
Plattsburgh 518-563-3200  
J.B. Brady, Inc.  
Syracuse 315-422-9271

### NORTH CAROLINA

Authorized Appliance  
Charlotte 704-377-4501

### OHIO

Akron/Canton Comm. Svc. Inc.  
Akron 330-753-6635  
Certified Service Center  
Cincinnati 513-772-6600  
Commercial Parts and Service  
Columbus 614-221-0057  
Electrical Appl. Repair Service  
Independence 216-459-8700  
E. A. Wichman Co.  
Toledo 419-385-9121

### OKLAHOMA

Hagar Rest. Service, Inc.  
Oklahoma City 405-235-2184  
Krueger, Inc.  
Oklahoma City 405-528-8883

### OREGON

Ron's Service, Inc.  
Portland 503-624-0890

### PENNSYLVANIA

Elmer Schultz Services  
Philadelphia 215-627-5401  
FAST Comm. Appl. Service  
Philadelphia 215-288-4800  
GCS Service  
Pittsburgh 412-787-1970  
K & D Service Co.  
Harrisburg 717-236-9039  
Electric Repair Co.  
Reading 610-376-5444

### RHODE ISLAND

Marshall Electric Co.  
Providence 401-331-1163

### SOUTH CAROLINA

Whaley Foodservice Repair  
W. Columbia 803-791-4420

### TENNESSEE

Camp Electric  
Memphis 901-527-7543

### TEXAS

Stove Parts Supply  
Fort Worth 817-831-0381  
Armstrong Repair Service  
Houston 713-666-7100  
Commercial Kitchen Repair Co.  
San Antonio 210-735-2811

### UTAH

La Monica's Rest. Equip. Service  
Murray 801-263-3221

### VIRGINIA

Daubers  
Norfolk 757-855-4097  
Daubers  
Springfield 703-866-3600

### WASHINGTON

Restaurant Appl. Service  
Seattle 206-524-8200

### WISCONSIN

A.S.C., Inc.  
Madison 608-246-3160  
A.S.C., Inc.  
Milwaukee 414-543-6460

## CANADA

### ALBERTA

Key Food Equipment Service  
Edmonton 780-438-1690

### BRITISH COLUMBIA

Key Food Equipment Service  
Vancouver 604-433-4484

### ONTARIO

R.G. Henderson Ltd.  
Toronto 416-422-5580  
Choquette CKS  
Ottawa 613-739-8458

### QUÉBEC

Choquette CKS  
Montreal 514-722-2000  
Choquette CKS  
Québec City 418-681-3944

## HATCO CORPORATION

P.O. Box 340500, Milwaukee, WI 53234-0500 U.S.A.

(800) 558-0607 (414) 671-6350

Parts & Service Fax (800) 690-2966 Int'l. Fax (414) 671-3976

www.hatcocorp.com