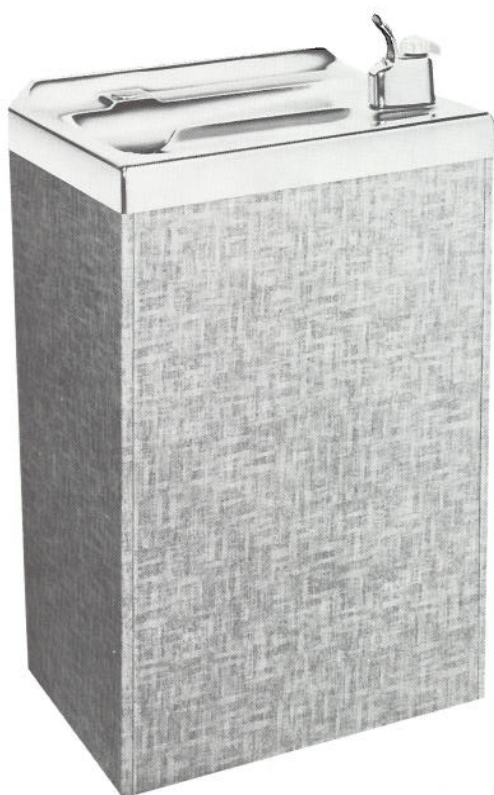


SERVICE INSTRUCTIONS

...with Illustrated Parts Breakdown

EBCO[®]

WATER COOLER MODEL: DP16MW-1, WELC16-W01



DESCRIPTION

This model provides drinking water cooled to 50°F at 16 gallons per hour. The unit mounts on a wall and requires connections to supply water, electrical power and waste drain.

The refrigeration system is hermetically sealed at manufacture and is generally considered to be non-field serviceable. The air-cooled compressor pumps refrigerant through the water-cooled condenser and a capillary tube (expansion valve) to the cooling tank evaporator. The evaporator is wrapped around the cooling tank for high efficiency. A pre-cooler routes supply water around cold drain water to cool incoming water.

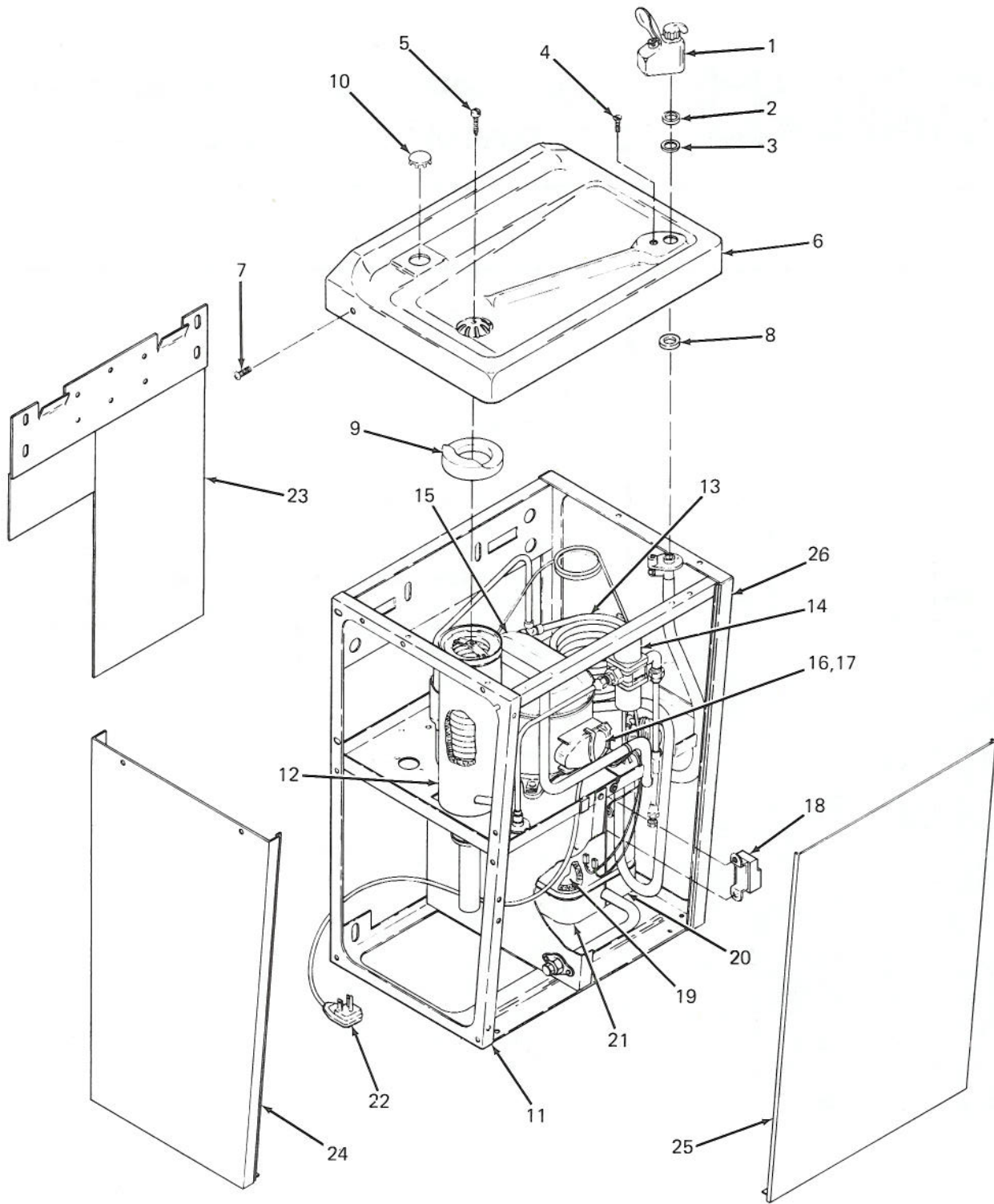
The electrical circuit includes automatic overload protection and an adjustable cold control for water temperature regulation.

SPECIFICATIONS

Voltage	115 VAC ±10%/1PH/60 Hertz
Size	26" H., 17" W., 14" D.
Shipping Weight (Approx)	84 LBS.
Cold Water Capacity*	16 GPH
Compressor	1/5 HP
Compressor (Full Load)	4-1/2 Amps
Refrigerant	R-12
Refrigerant Charge	4-3/8 OZ.

*A.R.I. Rating: Room Temperature 90°F; Supply Water Temperature 80°F; Drinking Water Temperature 50°F.

Specifications subject to change without notice.



PARTS LIST

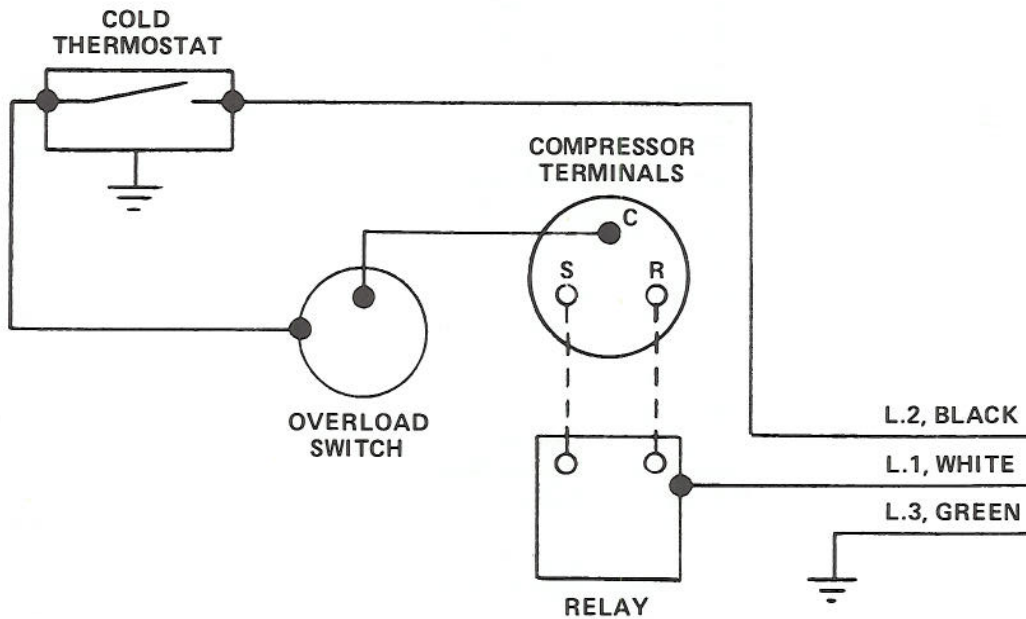
ITEM NO.	DESCRIPTION	DP16MW-1 WELC16-WO1
1	12000 Valve Assembly	026551-002
2	Valve Body Gasket	008983
3	Friction Washer	009281
4	Valve Spud Screw	026680-005
5	Drain Screw	026655-002
6	Top	017930
7	Top Screw	022630-005
8	Gasket (Under Top)	010545
9	Waste Gasket	018050
10	Hole Cover	017604
11	Frame Assembly	025145
12	Precooler Assembly	026044
13	Condenser	027025
14	Condenser Water Valve	026048
15	Compressor (Includes Items 16 and 17)	027256-002
16	Overload	017977
17	Relay	017978
18	Cold Control	027040-007
19	Cooling Tank (Insulated)	025238-002
20	Cooling Tank Insulation R/H	025114
21	Cooling Tank Insulation L/H	025115
22	Service Cord	026540-004
23	Hanger	025662-001
24	Panel, Left Side – Tan	021870L
	Panel, Left Side – Chestnut	019575-001
	Panel, Left Side – Charcoal	019576L
	Panel, Left Side – Stainless Steel	019577L
	Panel, Left Side – Walnut	019578L
	Panel, Left Side – Sandstone	019575-003
	*Panel, Left Side – Beige W/W	024675
	*Panel, Left Side – Light Beige W/W	024677
25	Panel, Front – Tan	021871
	Panel, Front – Chestnut	019644-001
	Panel, Front – Charcoal	019645
	Panel, Front – Stainless Steel	019646
	Panel, Front – Walnut	019647
	Panel, Front – Sandstone	019644-002
	*Panel, Front – Beige W/W	023323
	*Panel, Front – Light Beige W/W	024638
26	Panel, Right Side – Tan	021870R
	Panel, Right Side – Chestnut	019575-002
	Panel, Right Side – Charcoal	019576R
	Panel, Right Side – Stainless Steel	019577R
	Panel, Right Side – Walnut	019578R
	Panel, Right Side – Sandstone	019575-004
	*Panel, Right Side – Beige W/W	024676
	*Panel, Right Side – Light Beige W/W	024678

*W/W – White Westinghouse

SERVICE CHECK CHART

TROUBLE	PROBABLE CAUSE	REMEDY
Unit not running	No electrical power Defective cold control Defective relay	Check power source Check that cold control is not in off position Replace Replace
Unit running but not cooling	Refrigerant leak or low refrigerant	Add refrigerant
Unit running continuously	Defective cold control Low refrigerant	Replace Add refrigerant

ELECTRICAL DIAGRAM



EBCO[®] MANUFACTURING COMPANY

265 N. HAMILTON RD. • COLUMBUS, OHIO 43213-1383 • PHONE 614/861-1350 • CABLE: EBCO • TELEX: 246637