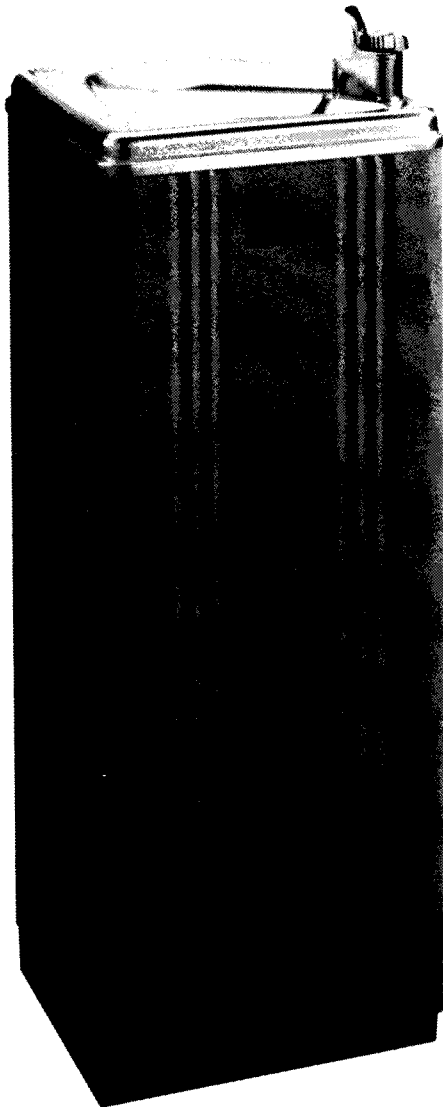


SERVICE INSTRUCTIONS

...with Illustrated Parts Breakdown

EBCO[®]

WATER COOLER MODELS:
7P-003, 7P-001D, 13P-003, 13PL-003,
PLF7P, PLF7P-D, PLF13P, PLF13PL,
PLF7P-001, PLF7P-D001, PLF13P-001, PLF13PL-001



SPECIFICATIONS

7P MODELS

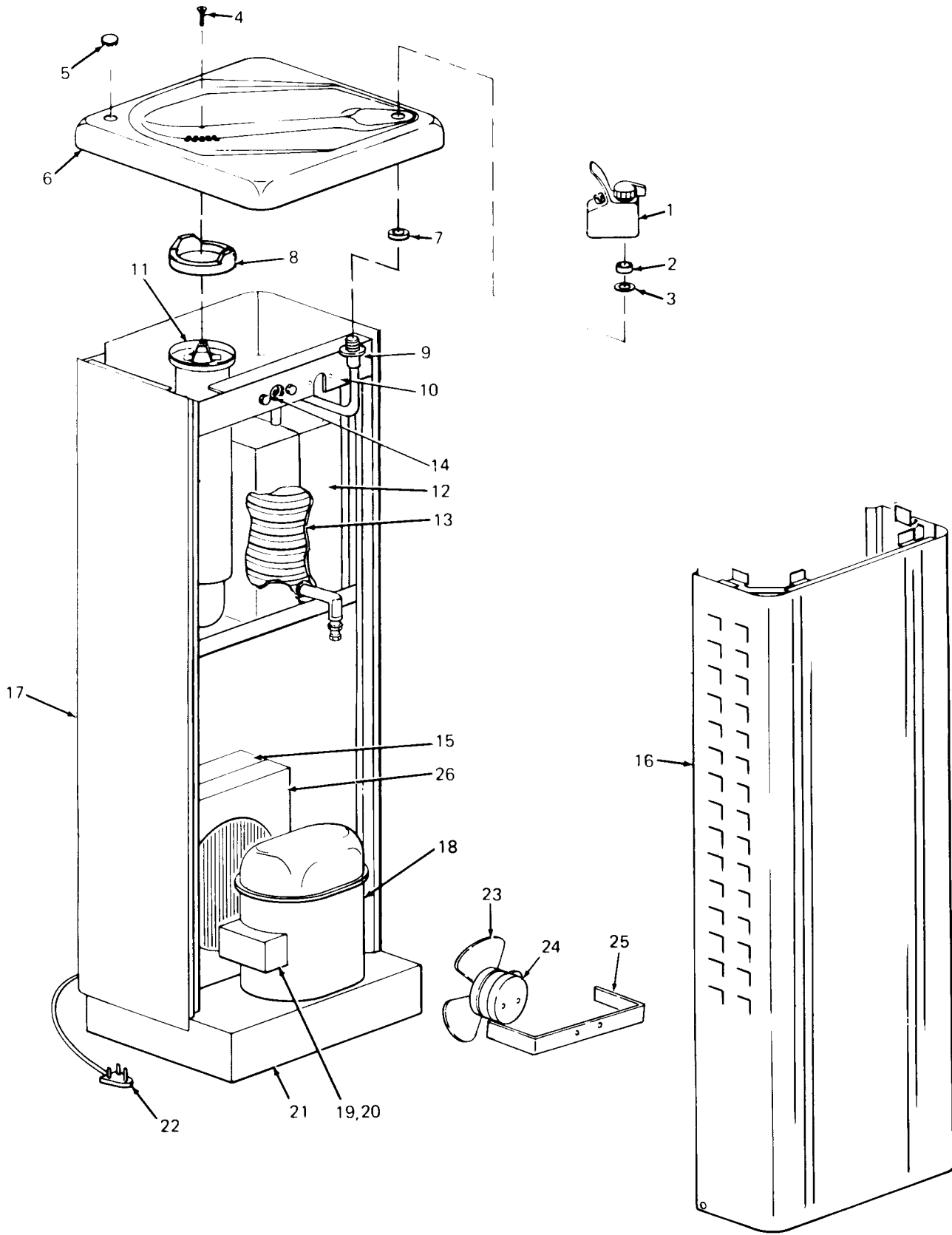
Voltage	115 VAC \pm 10%/1PH/60 Hertz
Size (Approx)	40" H., 15" W., 15" D.
Shipping Weight (Approx)	73 LBS.
Cold Water Capacity	7 GPH
Compressor	1/8 HP
Compressor Amps (Full Load)	2.5
Refrigerant	R-500
Refrigerant Charge	4-3/8 OZ.

13P AND 13PL MODELS

Voltage	115 VAC \pm 10%/1PH/60 Hertz
Size (Approx)	40" H., 15" W., 15" D.
Shipping Weight (Approx)	80 LBS.
Cold Water Capacity	13 GPH
Compressor	1/5 HP
Compressor Amps (Full Load)	5.0
Refrigerant	R-12
Refrigerant Charge	5 OZ.

*A.R.I. Rating: Room Temperature 90°F; Supply Water Temperature 80°F; Drinking Water Temperature 50°F.

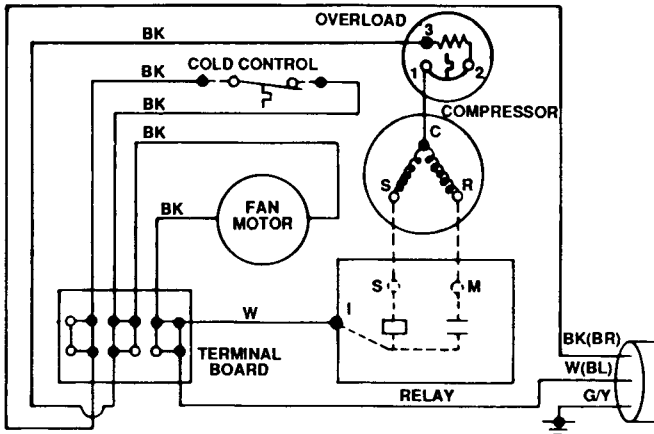
Specifications subject to change without notice.



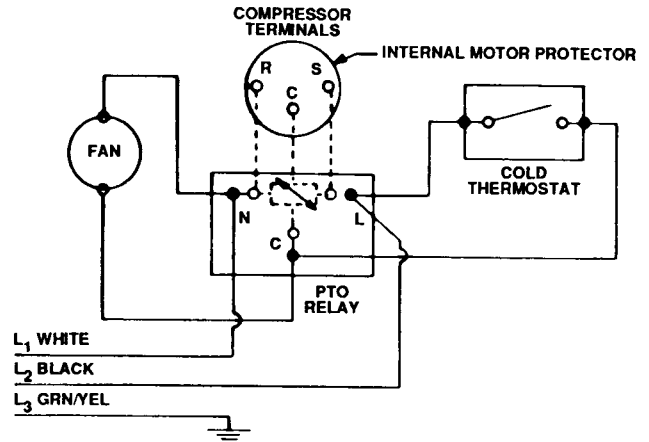
PARTS LIST

ITEM NO.	DESCRIPTION	7P-003 PLF7P PLF7P-001	7P-001D PLF7P-D PLF7P-D001	13P-003 PLF13P PLF13P-001	13PL-003 PLF13PL PLF13PL-001
1	Bubbler Valve 12000 – Used on all models except PLF-001 Series	026551-002	026551-002	026551-002	026551-002
1	Bubbler Valve 12000A – Used on PLF-001 Series only	030774-002	030774-002	030774-002	030774-002
2	Valve Body Gasket	008983	008983	008983	008983
3	Friction Washer	009281	009281	009281	009281
4	Drain Screw	026655-002	026655-002	026655-002	026655-002
5	Hole Cover	016994	016994	016994	016994
6	Top	028845-001	028845-001	028845-001	028845-001
7	Supply Spud Gasket	028706-001	028706-001	028706-001	028706-001
8	Waste Gasket	027389-001	027389-001	027389-001	027389-001
9	Bubbler Supply Spud	028701-002	028701-002	028701-002	028701-002
10	Upper Cabinet Bracket	027407-001	027407-001	027407-001	027407-001
11	Precooler Assembly	027412-001	027412-001	027412-001	027412-001
12	Cooling Tank Insulation – 2 Rqd	028230-002	028230-002	---	---
	Cooling Tank Insulation – R.H.	---	---	028660-001	028660-001
	Cooling Tank Insulation – L.H.	---	---	028661-001	028661-001
13	Insulated Cooling Tank	029673-001	029673-001	029096-001	029096-002
14	Cold Control	027040-007	027040-007	027040-007	027040-007
15	Condenser	018252	018252	018252	018252
16	Front Panel – Tan	024442-005	024442-005	024442-005	024442-009
	Front Panel – Stainless Steel	024442-003	024442-003	024442-003	024442-011
17	Cabinet – Tan	015570-002	015570-002	015570-002	015569-002
	Cabinet – Stainless Steel	015570-005	015570-005	015570-005	015569-005
18	Compressor (Includes Items 19 and 20)	027245-001	026868-003	027256-002	027256-002
19	Overload	027268-002	---	017977	017977
20	Relay	027267-003	026867	017978	017978
21	Base – Tan	028199-001	028199-001	028199-001	028199-001
	Base – Stainless Steel	028199-002	028199-002	028199-002	028199-002
22	Service Cord	026540-003	026540-003	026540-005	026540-005
23	Fan Blade	019199	019199	022977	022977
24	Fan Motor	027354-020	027354-020	027354-008	027354-008
25	Fan Bracket	017530	017530	017530	017530
26	Fan Shroud	017821	017821	029656-001	029656-001
ACCESSORY PARTS					
	Glass Filler Installation Kit	029098-001	029098-001	029098-001	029098-001
	Foot Pedal Kit	026645-014	026645-014	026645-014	026645-013

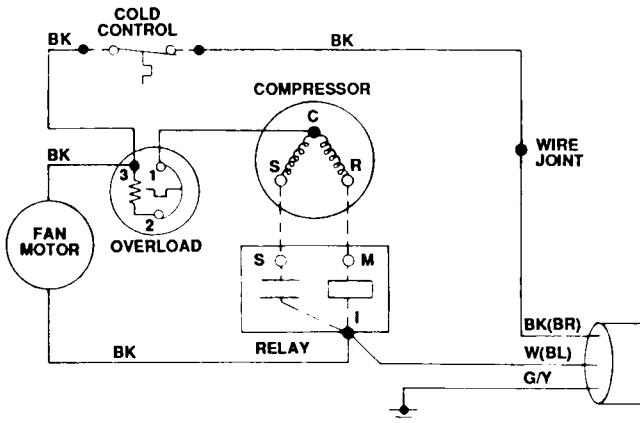
ELECTRICAL DIAGRAM



**7P-003
PLF7P
PLF7P-001**



**7P-001D
PLF7P-D
PLF7P-D001**



**13P-003 13PL-003
PLF13P PLF13PL
PLF13P-001 PLF13PL-001**

EBCO[®] MANUFACTURING COMPANY

265 N. Hamilton Rd. • P.O. Box 13150 • Columbus, OH 43213-0150 • 614/861-1350 • Fax: 614/861-5017