



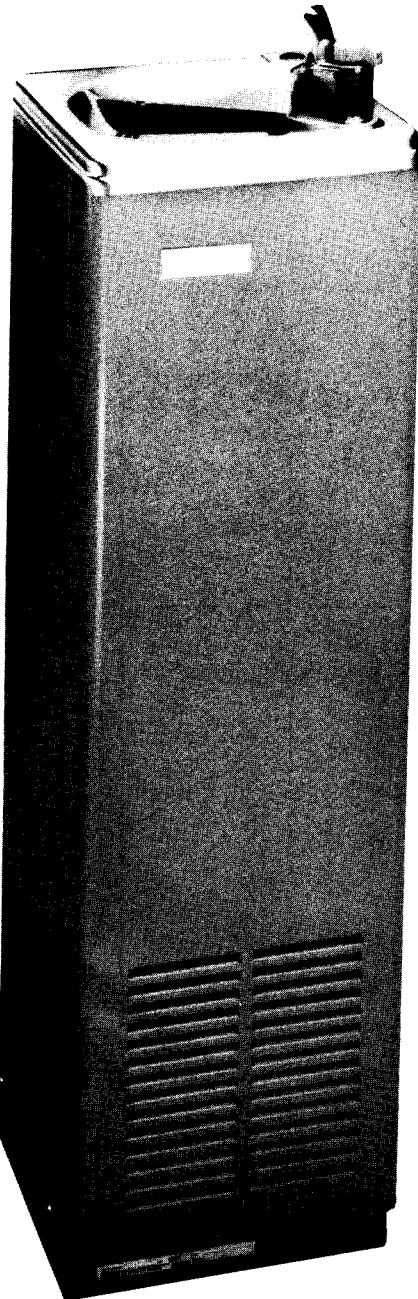
AQUARIUS

Kelvinator

White-Westinghouse®

ILLUSTRATED PARTS BREAKDOWN

**WATER COOLER MODELS:
PLF10CP-100 PLF10CPY-D100**



SPECIFICATIONS

Model PLF10CP

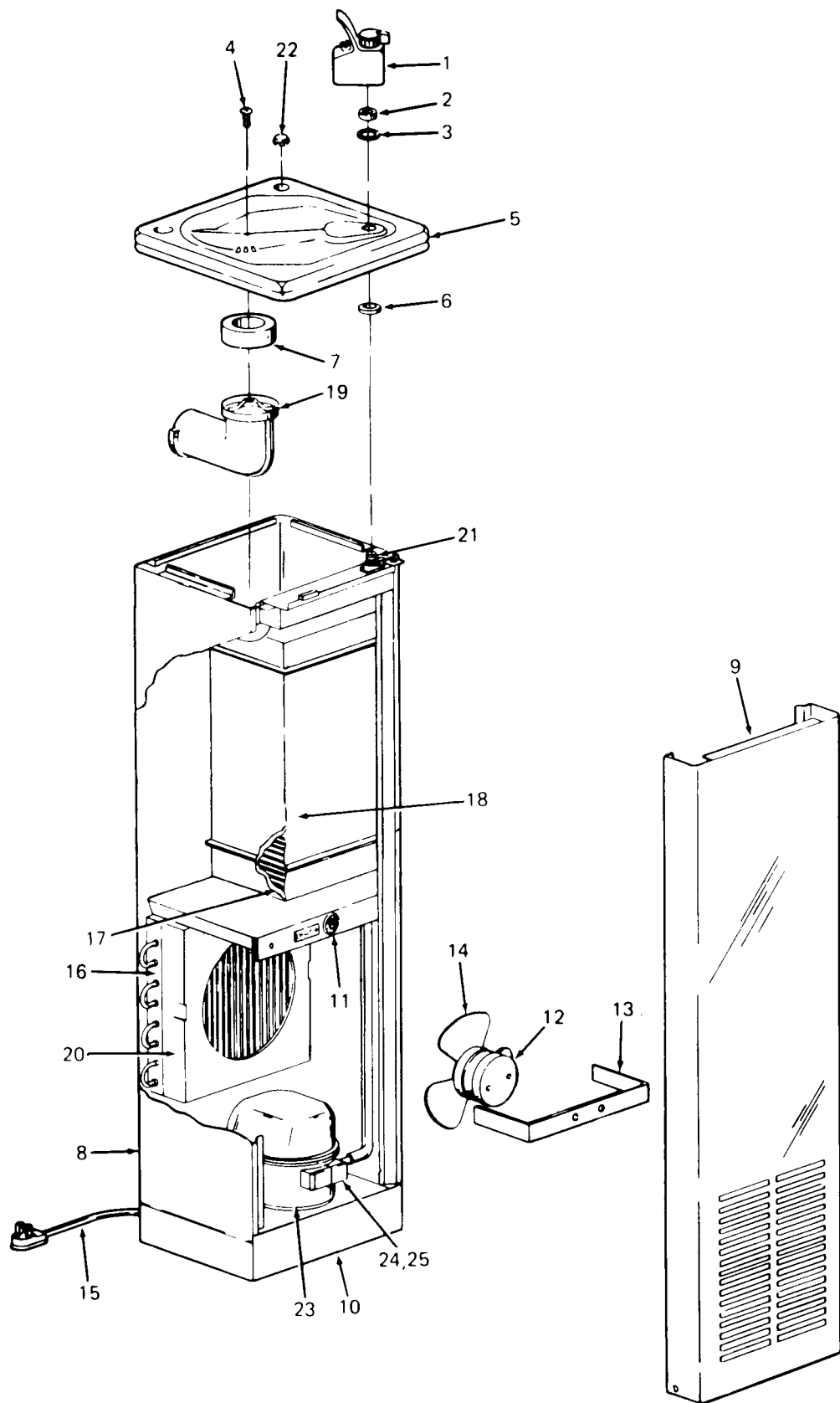
Voltage	115 VAC ±10%/1PH/60 Hertz
Size (Approx)	40" H., 12" W., 12" D.
Shipping Weight (Approx)	70 LBS.
Cold Water Capacity	10 GPH
Compressor	1/4 HP
Compressor (Full Load)	6.0 Amps
Refrigerant	134A
Refrigerant Charge	4-7/8 OZ. (139 GRAMS)

Model PLF10CPY

Voltage	220-240 Volt 50/60 Hertz
Size (Approx)	40" H., 12" W., 12" D.
Shipping Weight (Approx)	70 LBS.
Cold Water Capacity	10 GPH
Compressor	1/3 HP
Compressor (Full Load)	3.0 Amps
Refrigerant	134A
Refrigerant Charge	5-1/2 OZ. (156 GRAMS)

*A.R.I. Rating: Room Temperature 90°F; Supply Water Temperature 80°F; Drinking Water Temperature 50°F.

Specifications subject to change without notice.



PARTS LIST

ITEM NO.	DESCRIPTION	PLF10CP	PLF10CPY
1	12000A Bubbler Valve	030774-002	030774-002
2	Valve Body Gasket	028706-006	028706-006
3	Friction Washer	028706-013	028706-013
4	Top Screw	026655-002	026655-002
5	Top	028464-001	028464-001
6	Gasket (Under Top)	028706-001	028706-001
7	Waste Gasket	019131	019131
8	Cabinet Assembly – Tan	019687-007	019687-007
	Cabinet Assembly – Stainless Steel	019687-009	019687-009
9	Front Panel – Tan	017528-001	017528-001
	Front Panel – Stainless Steel	017528-002	017528-002
10	Base Assembly – Tan	030033-001	030033-001
	Base Assembly – Stainless Steel	030033-003	030033-003
11	Cold Control	027040-007	027040-007
12	Fan Motor	027354-026	027354-005
13	Fan Motor Bracket	017530	017530
14	Fan Blade	022977	022977
15	Service Cord	026540-038	028625-004
16	Condenser	018252-001	018252-001
17	Insulated Cooling Tank Assembly	031840-001	031840-001
18	Cooling Tank Insulation, RH	028660-001	028660-001
	Cooling Tank Insulation, LH	028661-001	028661-001
19	Insulated Waste Assembly	024455	024455
20	Fan Shroud	029656-001	029656-001
21	Spud Bubbler Supply	028701-002	028701-002
22	Hole Cover	016994	016994

NOT SHOWN

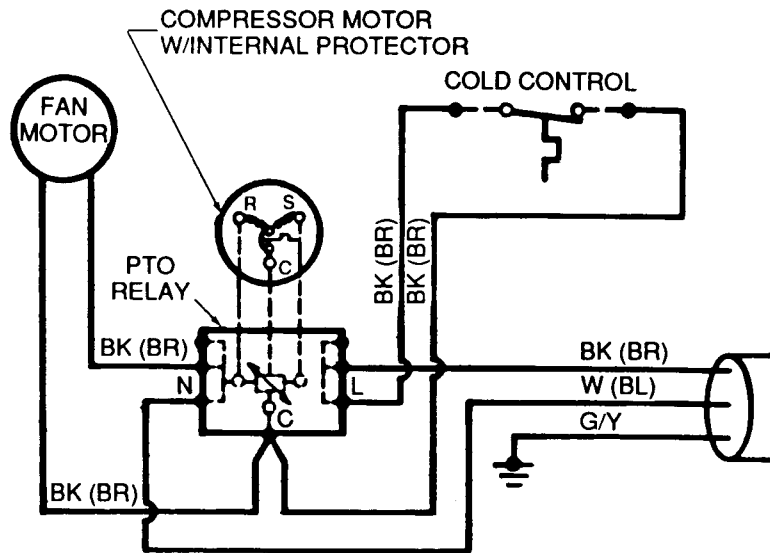
Glass Filler Installation Kit	031505-001	031505-001
Refrigerant Drier	031593-003	031593-003

COMPRESSORS

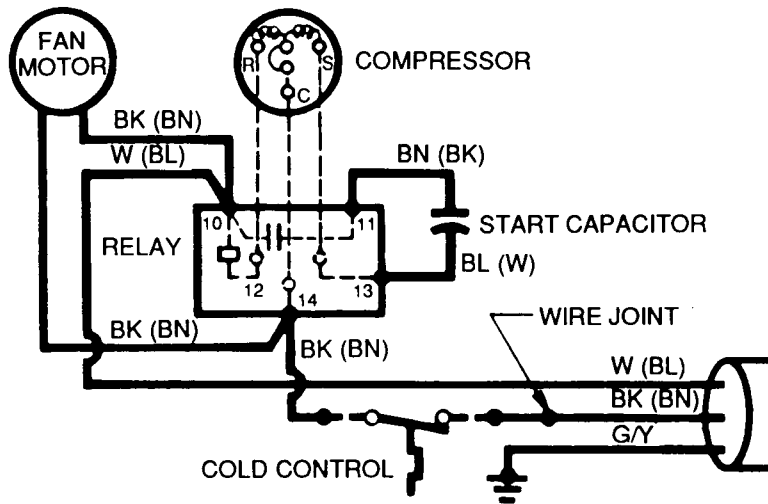
MODEL PLF10CP			MODEL PLF10CPY		
23	Compressor Assembly	031525-004	23	Compressor Assembly	031843-001
24	Relay	031698-004	24	Relay	027955-003
25	Overload	031697-003	25	Overload	Internal
				Start Capacitor	027956-001

*NOTE: Compressors include relay and overload.

ELECTRICAL DIAGRAM



PLF10CP



PLF10CPY

OASIS® & AQUARIUS® are registered trademarks of EBCO Manufacturing Company
 The trademarks Kelvinator® and White-Westinghouse® are used under license from White Consolidated Industries, Inc.

EBCO® MANUFACTURING COMPANY

265 N. Hamilton Rd. • P.O. Box 13150 • Columbus, OH 43213-0150 • 614/861-1350 • Fax 614/861-6783

Printed in U.S.A.
 Copyright 1994 EBCO Manufacturing Co.