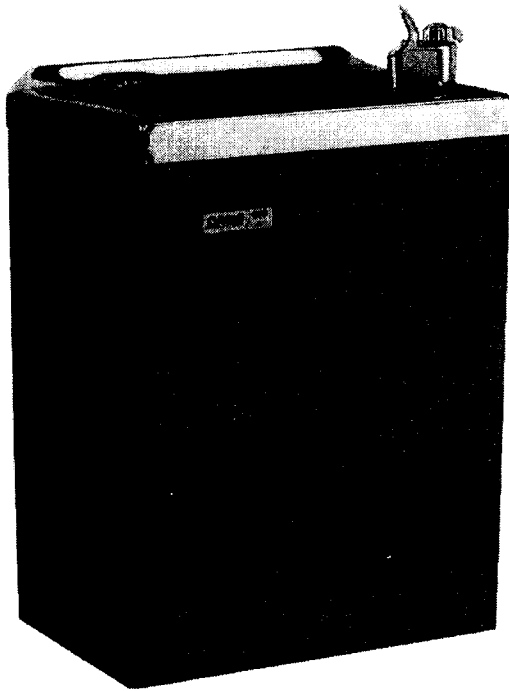




Illustrated Parts Breakdown

Models:

**PLF8M-D100, PLF14M-D100,
& PLF16M-D100**



SPECIFICATIONS:

Model: PLF8M-D100

Voltage	115VAC±10%/1 PH/60 Hertz
Size	38 1/2"H, 12 1/4"W, 12 1/4"D
Shipping Weight (Approx)	72 lbs.
Cold Water Capacity*	8 GPH
Compressor	1/20 hp
Compressor (Full Load)	1.2 amps
Refrigerant	134a
Refrigerant Charge	1.44 OZ

Model: PLF14M-D100

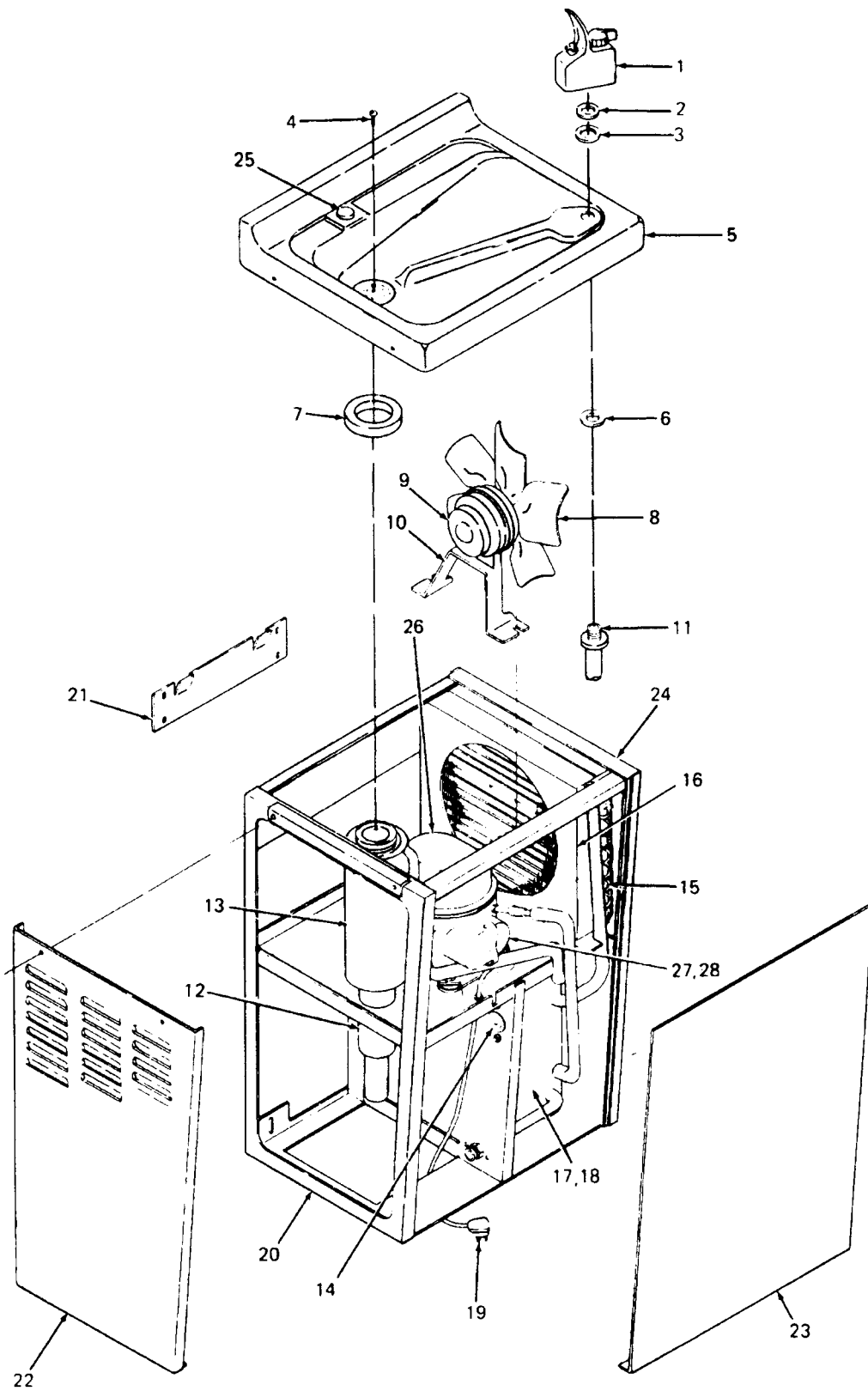
Voltage	115VAC±10%/1 PH/60 Hertz
Size	38 1/2"H, 12 1/4"W, 12 1/4"D
Shipping Weight (Approx)	76 lbs.
Cold Water Capacity*	14 GPH
Compressor	1/20 hp
Compressor (Full Load)	1.2 amps
Refrigerant	134a
Refrigerant Charge	1.44 OZ

Model: PLF16M-D100

Voltage	115VAC±10%/1 PH/60 Hertz
Size	38 1/2"H, 12 1/4"W, 12 1/4"D
Shipping Weight (Approx)	74 lbs.
Cold Water Capacity*	16 GPH
Compressor	1/20 hp
Compressor (Full Load)	1.2 amps
Refrigerant	134a
Refrigerant Charge	1.44 OZ

*A.R.I. Ratings: Room Temperature 90°F; Supply Water Temperature 80°F; Drinking Water Temperature 50°F.

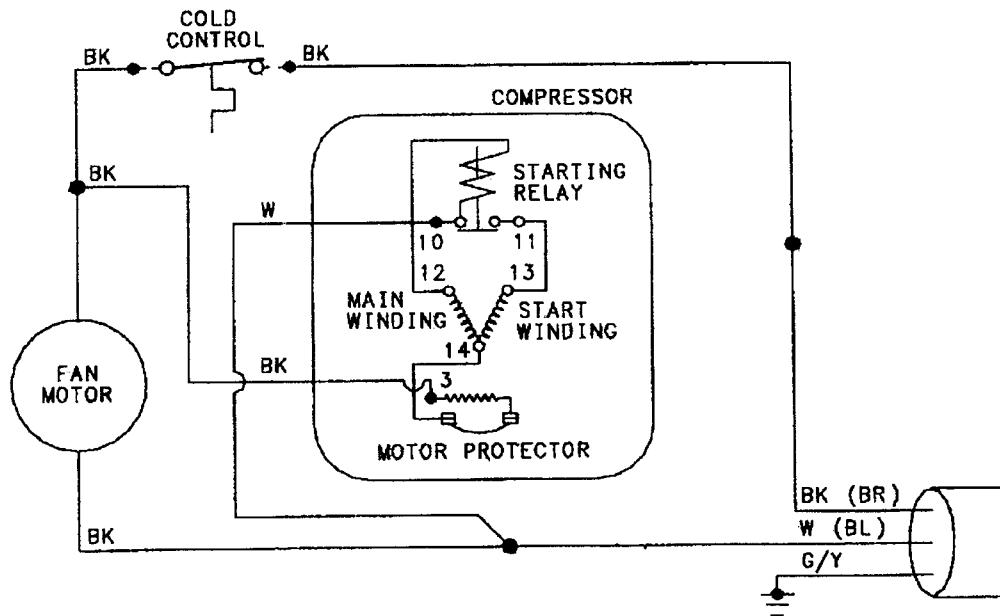
Specifications subject to change without notice.



Item#	Description	PLF8M-D100	PLF14M-D100	PLF16M-D100
1	Bubbler Valve.....	030774-006	030774-006	030774-006
2	Valve Body Gasket.....	028706-006	028706-006	028706-006
3	Friction Washer.....	028706-013	028706-013	028706-013
4	Drain Screw.....	026655-002	026655-002	026655-002
5	Top.....	028965-005	028965-005	028965-005
6	Bubbler Spud Gasket.....	028706-001	028706-001	028706-001
7	Waste Gasket.....	018050	018050	018050
8	Fan Blade.....	022977	022977	022977
9	Fan Motor Assy.....	027354-029	027354-029	027354-029
10	Fan Motor Bracket.....	018559	018559	018559
11	Bubbler Supply Spud.....	028701-002	028701-002	028701-002
12	Insulated Precooler Assy.....	N/A	025198-002	025198-002
13	Precooler Insulation.....	N/A	018059-010	018059-010
14	Cold Control.....	027040-007	027040-007	027040-007
15	Condenser.....	027297-002	027297-002	027297-002
16	Condenser Shroud.....	018955	018955	018955
17	Insulated Cooling Tank Assy.....	031292-004	031292-004	031292-004
18	Cooling Tank Insulation.....	028230-002	028230-002	028230-002
19	Service Cord.....	026540-013	026540-013	026540-013
20	Frame Assy.....	028938-001	028938-001	028938-001
21	Hanger Bracket and Barrier Assy.....	016698-004	016698-004	016698-004
22	Left Side Panel - Stainless Steel.....	018939 L	018939 L	018939 L
	Left Side Panel - Sandstone.....	018937-003	018937-003	018937-003
23	Front Panel - Stainless Steel.....	019646	019646	019646
	Front Panel - Sandstone.....	019644-002	019644-002	019644-002
24	Right Side Panel - Stainless Steel.....	018939 R	018939 R	018939 R
	Right Side Panel - Sandstone.....	018937-004	018937-004	018937-004
25	Hole Cover.....	016994-003	016994-003	016994-003
26	Compressor.....	032834-002	032834-002	032834-004
27	Overload.....	031697-015	031697-015	031697-017
28	Relay.....	033080-001	033080-001	033080-003


Electrical Diagram

PLF8M-D100, PLF14M-D100 & PLF16M-D100



OASIS Corporation

265 N Hamilton Rd • PO Box 13150 • Columbus OH 43213
614/861-1350 • 614/861-0231 Fax

OASIS® is a registered trademark of OASIS Corporation
 is a trademark of OASIS Corporation