



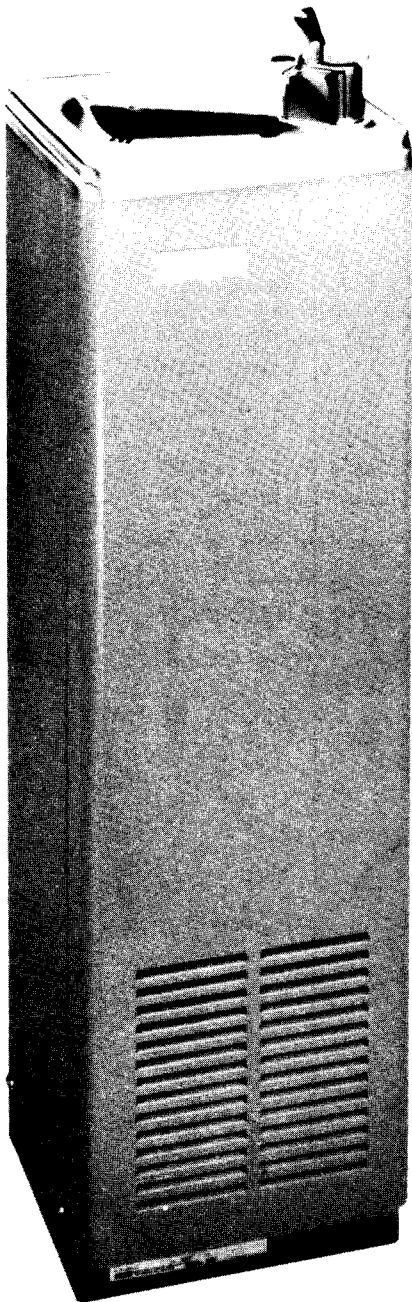
AQUARIUS

Kelvinator

White-Westinghouse®

ILLUSTRATED PARTS BREAKDOWN

**WATER COOLER MODELS:
PLF1CP-100 PLF1CP-D100 PLF1CPY-D100**



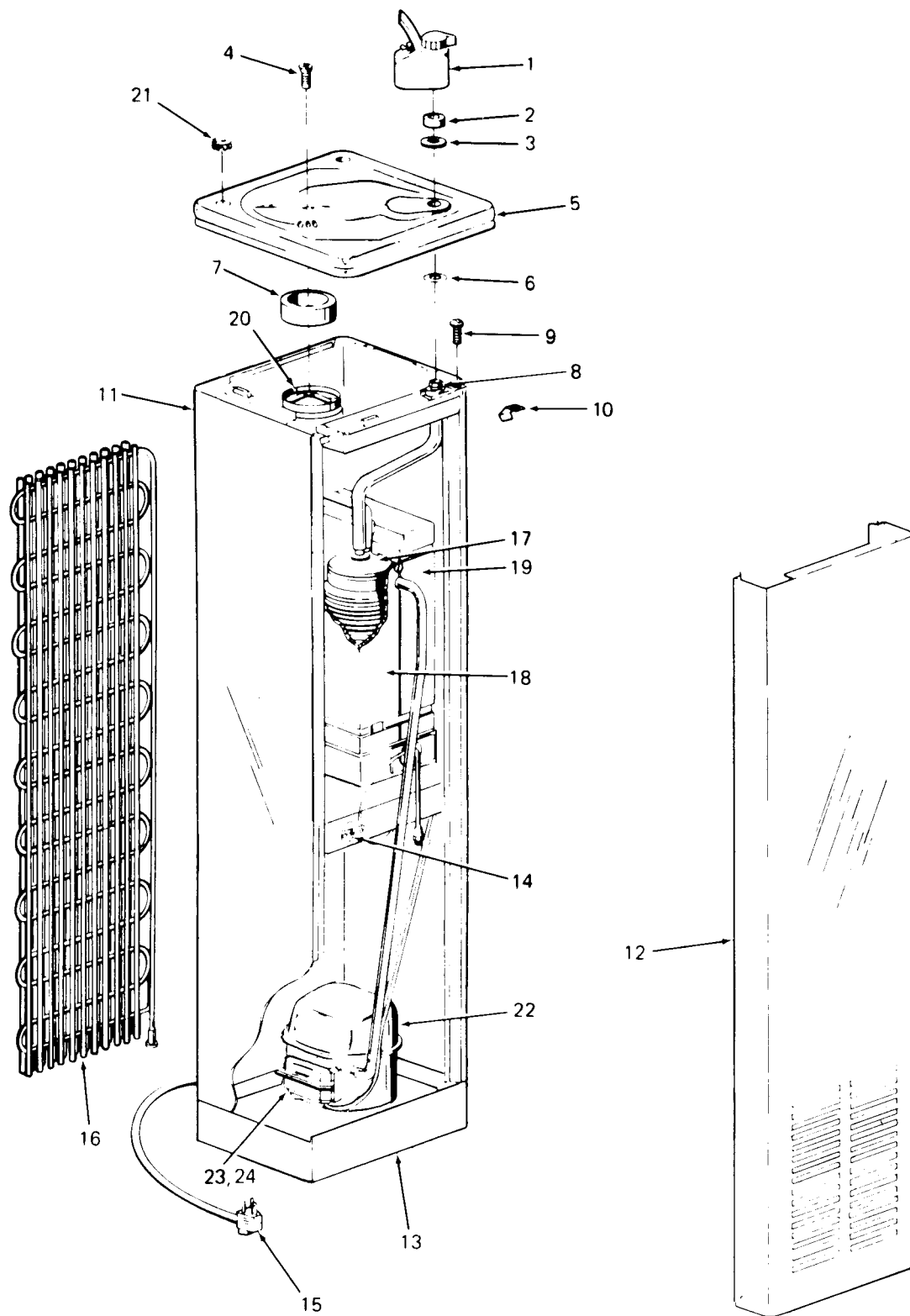
SPECIFICATIONS

Voltage	
PLF1CP & PLF1CP-D	115 VAC \pm 10%/1PH/60 Hertz
Size (Approx)	40" H., 12" W., 12" D.
Shipping Weight (Approx)	62 LBS.
Cold Water Capacity	1 GPH
Compressor	1/20 HP
Compressor (Full Load)	1.2 Amps
Refrigerant	134A
Refrigerant Charge	2.0 OZ (57 GRAMS)

Voltage	
PLF1CPY-D	220-240 VAC, 50/60 Hertz
Size (Approx)	40" H., 12" W., 12" D.
Shipping Weight (Approx)	62 LBS.
Cold Water Capacity	1 GPH
Compressor	1/20 HP
Compressor (Full Load)	1.0 Amp
Refrigerant	134A
Refrigerant Charge	2.0 OZ (57 GRAMS)

*A.R.I. Rating: Room Temperature 90°F; Supply Water Temperature 80°F; Drinking Water Temperature 50°F.

Specifications subject to change without notice.



PARTS LIST

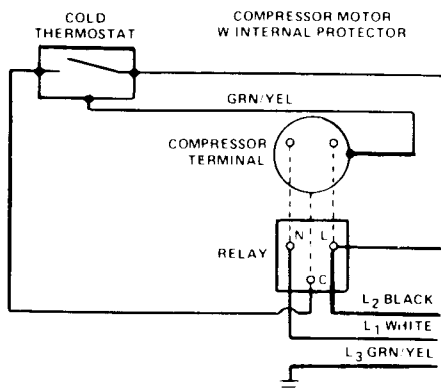
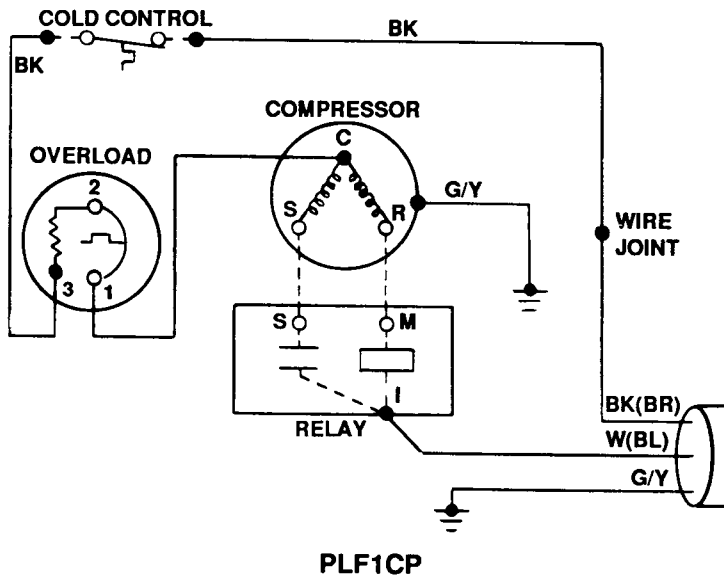
ITEM NO.	DESCRIPTION	PLF1CP SERIES
1	12000A Bubbler Valve	030774-002
2	Valve Body Gasket	028706-006
3	Friction Washer	028706-013
4	Top Screw	026655-002
5	Top	028464-001
6	Gasket (Under Top)	028706-001
7	Waste Gasket	019131
8	Valve Spud	028701-002
9	Screw	026630-011
10	Speed Nut Clip	012253
11	Cabinet Assembly – Tan	019687-008
	Cabinet Assembly – Stainless Steel	019687-010
12	Front Panel – Tan	017528-001
	Front Panel – Stainless Steel	017528-002
13	Base Assembly – Tan	030033-002
	Base Assembly – Stainless Steel	030033-004
14	Cold Control	027040-007
15	Service Cord	026540-003
16	Condenser	026695
17	Insulated Cooling Tank Assembly	031868-001
18	Cooling Tank Insulation, LH	025115
19	Cooling Tank Insulation, RH	025114
20	Insulated Waste Assembly	024455
21	Hole Cover	016994
 NOT SHOWN		
	Glass Filler Installation Kit	031505-001
	Refrigerant Drier	031593-001

COMPRESSORS

TECUMSEH PLF1CP		DANFOSS PLF1CP-D	
22	*Compressor Assembly 030972-002	22	*Compressor Assembly 031530-001
23	Relay 025817-004	23	Relay 026867
24	Overload 028707-003		
DANFOSS 220 VOLT PLF1CPY			
	22	*Compressor Assembly	031530-004
	23	Relay	026309
		Service Cord	028625-001

*NOTE: Compressors include relay.

ELECTRICAL DIAGRAM



OASIS® & AQUARIUS® are registered trademarks of EBCO Manufacturing Company
 The trademarks Kelvinator® and White-Westinghouse® are used under license from White Consolidated Industries, Inc.

EBCO® **MANUFACTURING COMPANY**

265 N. Hamilton Rd. • P.O. Box 13150 • Columbus, OH 43213-0150 • 614/861-1350 • Fax: 614/861-5017

Printed in U.S.A.
 Copyright 1994 EBCO Manufacturing Co.