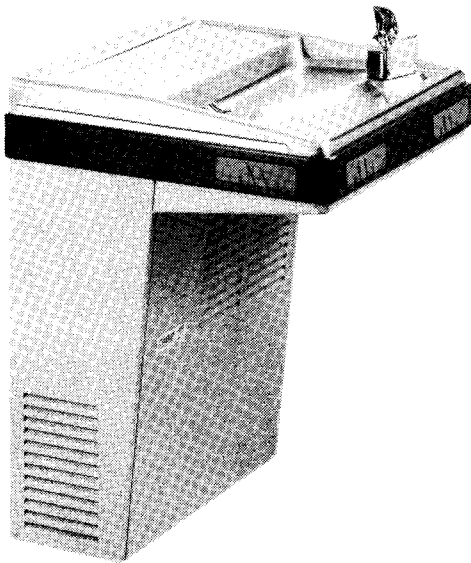


SERVICE INSTRUCTIONS

...with Illustrated Parts Breakdown

EBCO[®]

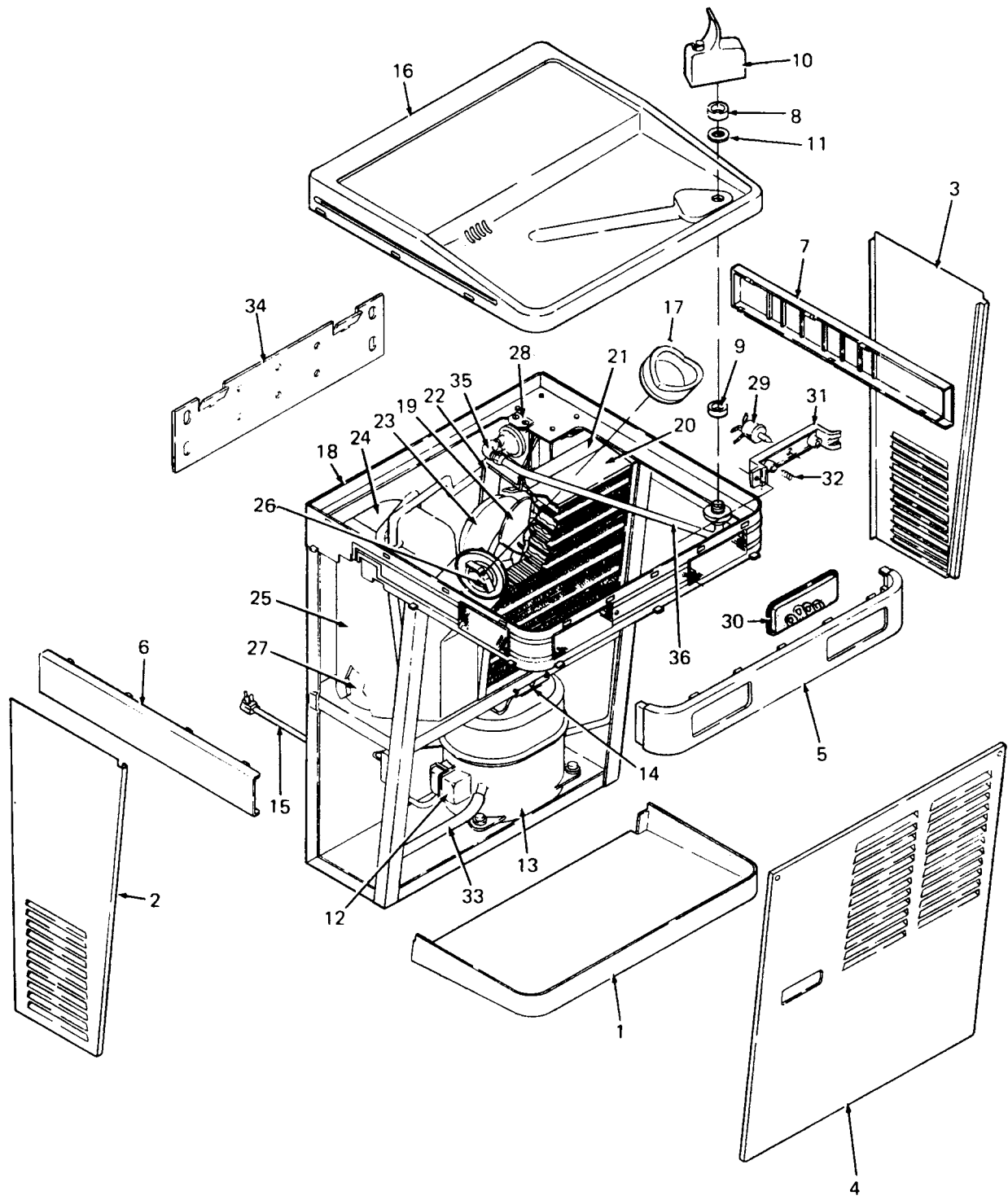
**WATER COOLER MODELS:
PLF4WMQ-P, PLF4WMQ-P001
PLF4WMQ-P002**



SPECIFICATIONS

| | |
|--------------------------|--------------------------------|
| Voltage | 115 VAC \pm 10%/1PH/60 Hertz |
| Size | 25" H., 18" W., 19" D. |
| Shipping Weight (Approx) | 50 LBS. |
| Cold Water Capacity | 4 GPH |
| Compressor | 1/6 HP |
| Compressor (Full Load) | 3.0 Amps |
| Refrigerant | R-500 |
| Refrigerant Charge | 3 OZ. |

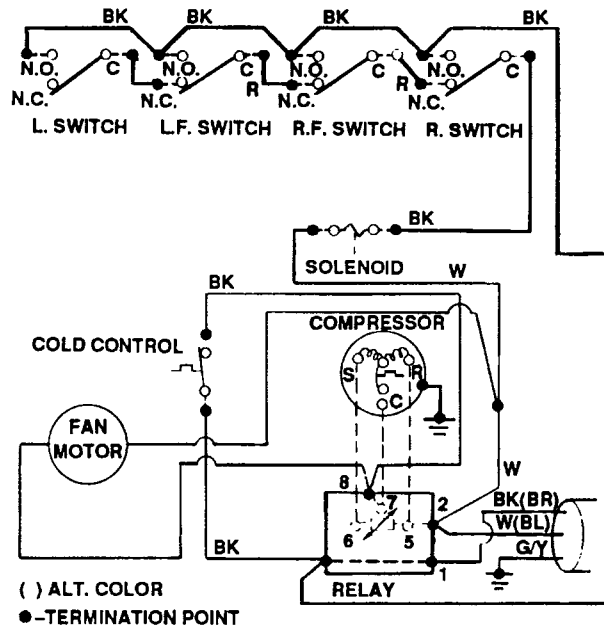
Specifications subject to change without notice.



PARTS LIST

| ITEM NO. | DESCRIPTION | PLF4WMQ-P | |
|----------|---|-----------------|-----------------|
| | | PLF4WMQ-P001 | PLF4WMQ-P002 |
| 1 | Front Housing – Sandstone | 026780-002 | 026780-002 |
| | Front Housing – Stainless Steel | 026780-004 | 026780-004 |
| | Front Housing – Painted | 026780-005 | 026780-005 |
| 2 | Left Side Panel – Sandstone | 026798-003 | 026798-003 |
| | Left Side Panel – Stainless Steel | 026798-007 | 026798-007 |
| | Left Side Panel – Painted | 026798-009 | 026798-009 |
| 3 | Right Side Panel – Sandstone | 026798-004 | 026798-004 |
| | Right Side Panel – Stainless Steel | 026798-008 | 026798-008 |
| | Right Side Panel – Painted | 026798-010 | 026798-010 |
| 4 | Front Panel – Sandstone | 026802-002 | 026802-002 |
| | Front Panel – Stainless Steel | 026802-004 | 026802-004 |
| | Front Panel – Painted | 026802-005 | 026802-005 |
| 5 | Front Bezel | 026869-001 OPEN | 026869-001 OPEN |
| 6 | Left Side Bezel | 026886-001 OPEN | 026886-001 OPEN |
| 7 | Right Side Bezel | 026886-002 OPEN | 026886-002 OPEN |
| 8 | Valve Body Gasket | 008983 | 008983 |
| 9 | Washer (Under Top) | 028706-001 | 028706-001 |
| 10 | 12000A Bubbler Valve (For models PLF4WMQ-P001 and P002) | 030774-004 | 030774-004 |
| | 12000 Bubbler Valve (For model PLF4WMQ-P only) | 026551-006 | --- |
| 11 | Friction Washer | 009281 | 009281 |
| 12 | Relay | 027709-002 | 027709-002 |
| 13 | Compressor | 029941-001 | 029941-001 |
| 14 | Cold Control | 027040-007 | 027040-007 |
| 15 | Service Cord | 026540-013 | 026540-013 |
| 16 | Top | 028835-001 | 028835-001 |
| 17 | Waste Gasket | 027205 | 027205 |
| 18 | Frame Assembly | 026976-003 | 026976-003 |
| 19 | Fan Blade | 024033 | 024033 |
| 20 | Condenser | 029942-001 | 029942-001 |
| 21 | Fan Shroud | 026968 | 026968 |
| 22 | Fan Motor Bracket | 026969 | 026969 |
| 23 | Fan Motor Assembly | 027354-009 | 027354-009 |
| 24 | Cooling Tank Insulation (RH) | 028660-001 | 028660-001 |
| 25 | Cooling Tank Insulation (LH) | 028661-001 | 028661-001 |
| 26 | Waste Assembly | 026981-001 | 026981-001 |
| 27 | Cooling Tank Assembly (Insulated) | 028789-007 | 031045-005 |
| 28 | Solenoid Valve | 029819-001 | 031011-001 |
| 29 | Switch | 028591-001 | 028591-001 |
| 30 | Switch Pad | 028587-001 | 028587-001 |
| 31 | Switch Bracket | 028588-001 | 028588-001 |
| 32 | Compression Spring | 027638-005 | 027638-005 |
| 33 | Heat Exchanger | 029989-001 | 029989-001 |
| 34 | Hanger Bracket | 016698-002 | 016698-002 |
| 35 | Fitting Elbow | 028787-001 | 028787-001 |
| 36 | Tube Assembly Sol to Blb | 028783-001 | 028783-001 |

ELECTRICAL DIAGRAM



EBCO[®] MANUFACTURING COMPANY

265 N. Hamilton Rd. • P.O. Box 13150 • Columbus, OH 43213-0150 • 614/861-1350 • FAX 614/861-5017