



AQUARIUS

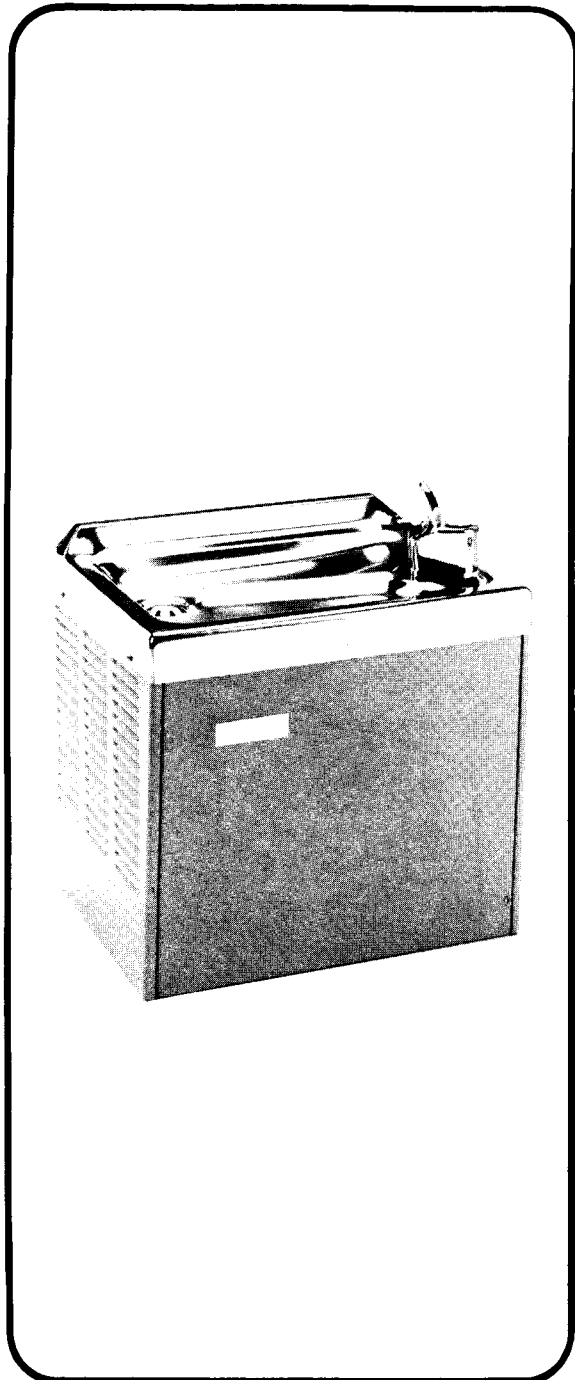
Kelvinator

White-Westinghouse

ILLUSTRATED PARTS BREAKDOWN

WATER COOLER MODELS:

PLF5CM-100 PLF5CM-D100 PLF5CMY-D100



SPECIFICATIONS

Model PLF5CM

Voltage	115 VAC ±10%/1PH/60 Hertz
Size (Approx)	16" H., 17" W., 13" D.
Shipping Weight (Approx)	51 LBS.
Cold Water Capacity	5 GPH
Compressor - All Models	1/10 HP
Compressor (Full Load) 115 Volt	2.5 Amps
Refrigerant	134A
Refrigerant Charge - All Models	3-11/16 OZ. (105 GRAMS)

Model PLF5CM-D

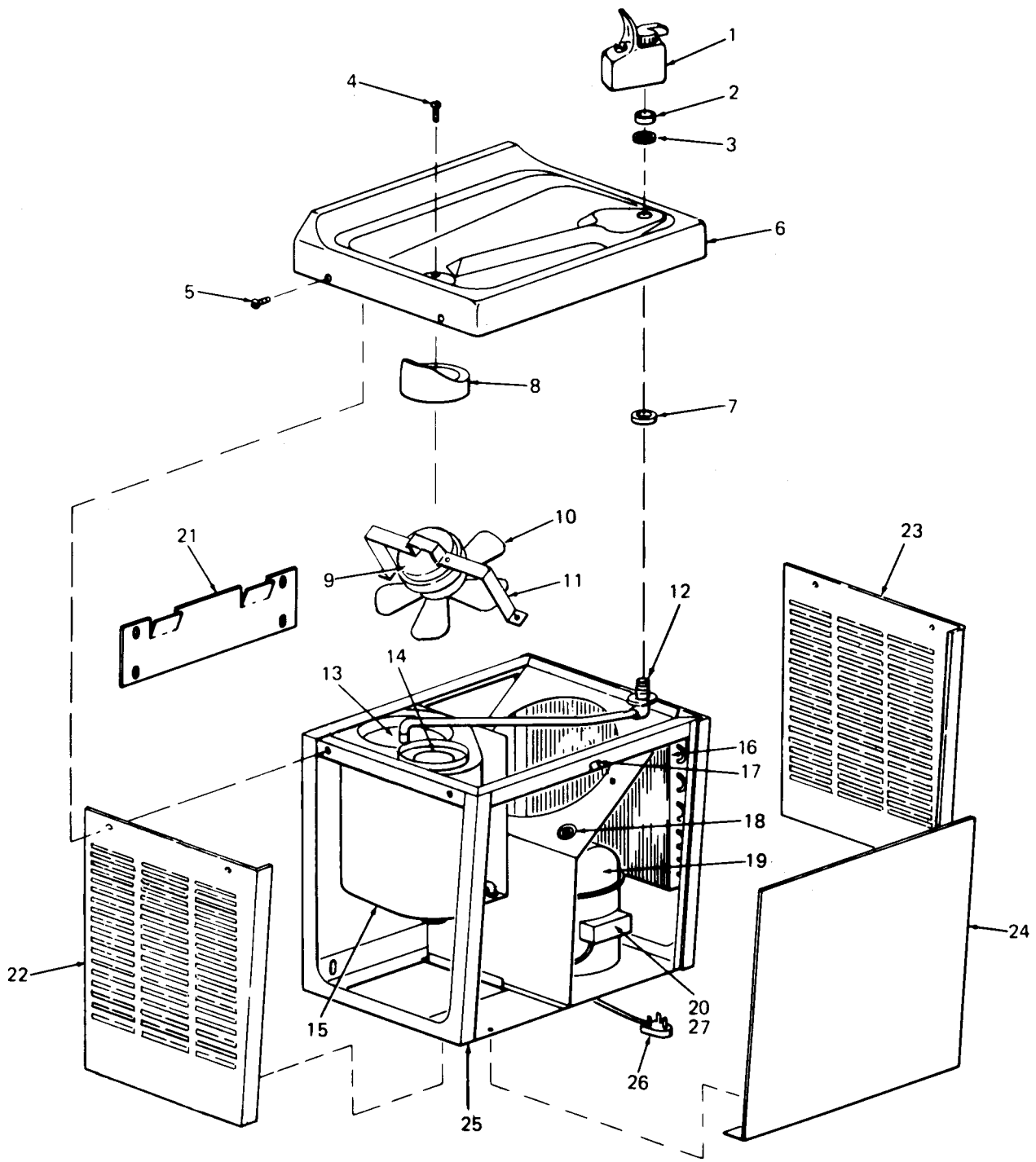
Voltage	115 VAC ±10%/1PH/60 Hertz
Size (Approx)	16" H., 17" W., 13" D.
Shipping Weight (Approx)	51 LBS.
Cold Water Capacity	5 GPH
Compressor - All Models	1/8 HP
Compressor (Full Load) 115 Volt	2.5 Amps
Refrigerant	134A
Refrigerant Charge - All Models	3-11/16 OZ. (105 GRAMS)

Model PLF5CMY-D

Voltage	220/240 Volt 50/60 Hertz
Size (Approx)	16" H., 17" W., 13" D.
Shipping Weight (Approx)	51 LBS.
Cold Water Capacity	5 GPH
Compressor - All Models	1/8 HP
Compressor (Full Load) 220 Volt	1.2 Amps
Refrigerant	134A
Refrigerant Charge - All Models	3-11/16 OZ. (105 GRAMS)

*A.R.I. Rating: Room Temperature 90°F; Supply Water Temperature 80°F; Drinking Water Temperature 50°F.

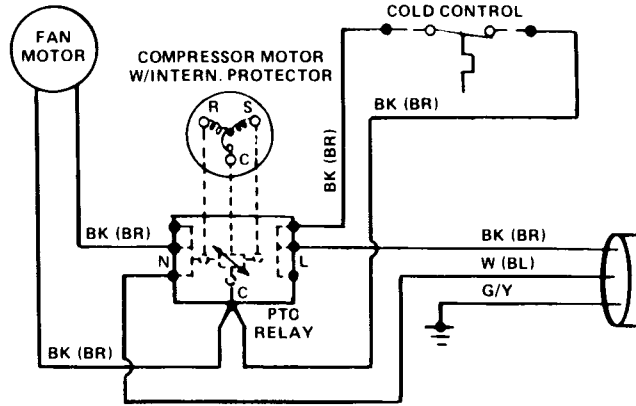
Specifications subject to change without notice.



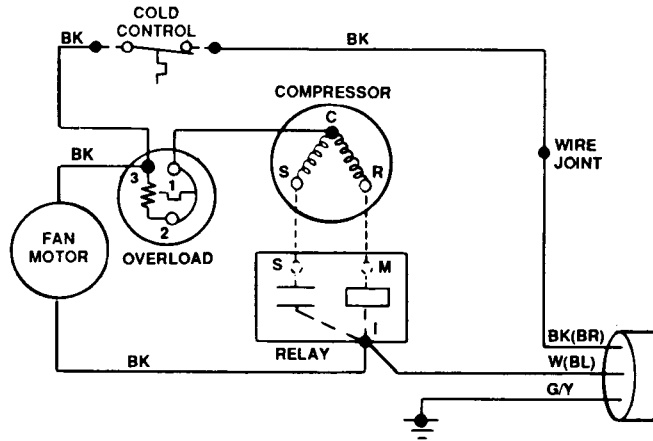
PARTS LIST

ITEM NO.	DESCRIPTION	PLF5CM	PLF5CM-D	PLF5CMY-D
1	12000A Bubbler Valve	030774-002	030774-002	030774-002
2	Valve Body Gasket	028706-006	028706-006	028706-006
3	Friction Washer	028706-013	028706-013	028706-013
4	Drain Screw	026655-002	026655-002	026655-002
5	Top Screw	026630-005	026630-005	026630-005
6	Top	028846-003	028846-003	028846-003
7	Gasket (Under Top)	028706-001	028706-001	028706-001
8	Waste Gasket	018050	018050	018050
9	Fan Motor Assembly	027354-026	027354-021	027354-006
10	Fan Blade	020243	020243	020243
11	Fan Motor Bracket	026969	026969	026969
12	Bubbler Supply Spud	029177-001	029177-001	029177-001
13	Insulated Cooling Tank Assembly	029439-002	029439-002	029439-002
14	Precooler	028084-001	028084-001	028084-001
15	Cooling Tank Insulation L/H	019990L	019990L	019990L
	Cooling Tank Insulation R/H	019990R	019990R	019990R
16	Condenser	028072-002	028072-002	028072-002
17	Panel Clip	018156-001	018156-001	018156-001
18	Cold Control	027040-007	027040-007	027040-007
19	Compressor (Includes Item 20)	030972-005	031530-003	031530-005
20	Relay	031698-012	026867	026309
21	Hanger Bracket & Barrier Assembly	025662-002	025662-002	025662-002
22	Left Side Panel – Tan	026935-003	026935-003	026935-003
	Left Side Panel – Stainless Steel	026935-027	026935-027	026935-027
23	Right Side Panel – Tan	026935-004	026935-004	026935-004
	Right Side Panel – Stainless Steel	026935-028	026935-028	026935-028
24	Front Panel – Tan	026925-001	026925-001	026925-001
	Front Panel – Stainless Steel	026925-014	026925-014	026925-014
25	Frame Assembly	029436-001	029436-001	029436-001
26	Service Cord	026540-021	026540-013	028625-002
27	Overload	030697-008	---	---
NOT SHOWN				
	Refrigerant Drier	031593-005	031593-005	031593-005

ELECTRICAL DIAGRAM



DANFOSS MODELS



TECUMSEH MODELS

OASIS® & AQUARIUS® are registered trademarks of EBCO Manufacturing Company
 The trademarks Kelvinator® and White-Westinghouse® are used under license from White Consolidated Industries, Inc.

EBCO® **MANUFACTURING COMPANY**

265 N. Hamilton Rd. • P.O. Box 13150 • Columbus, OH 43213-0150 • 614/861-1350 • Fax: 614/861-5017

Printed in U.S.A.
 Copyright 1994 EBCO Manufacturing Co.