



AQUARIUS
®

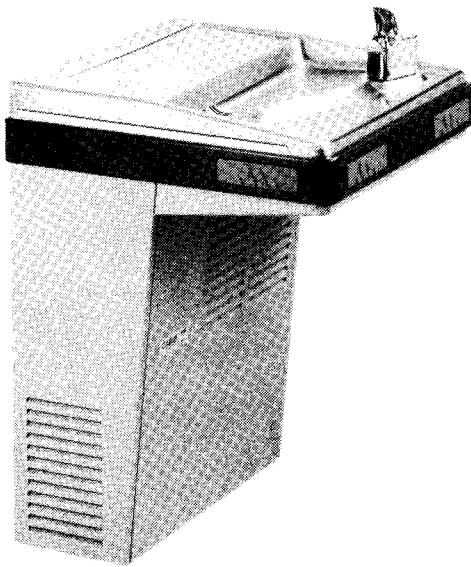
Kelvinator®

White-Westinghouse®

ILLUSTRATED PARTS BREAKDOWN

WATER COOLER MODELS

PLF4VMQ-P PLF8VMQ



SPECIFICATIONS

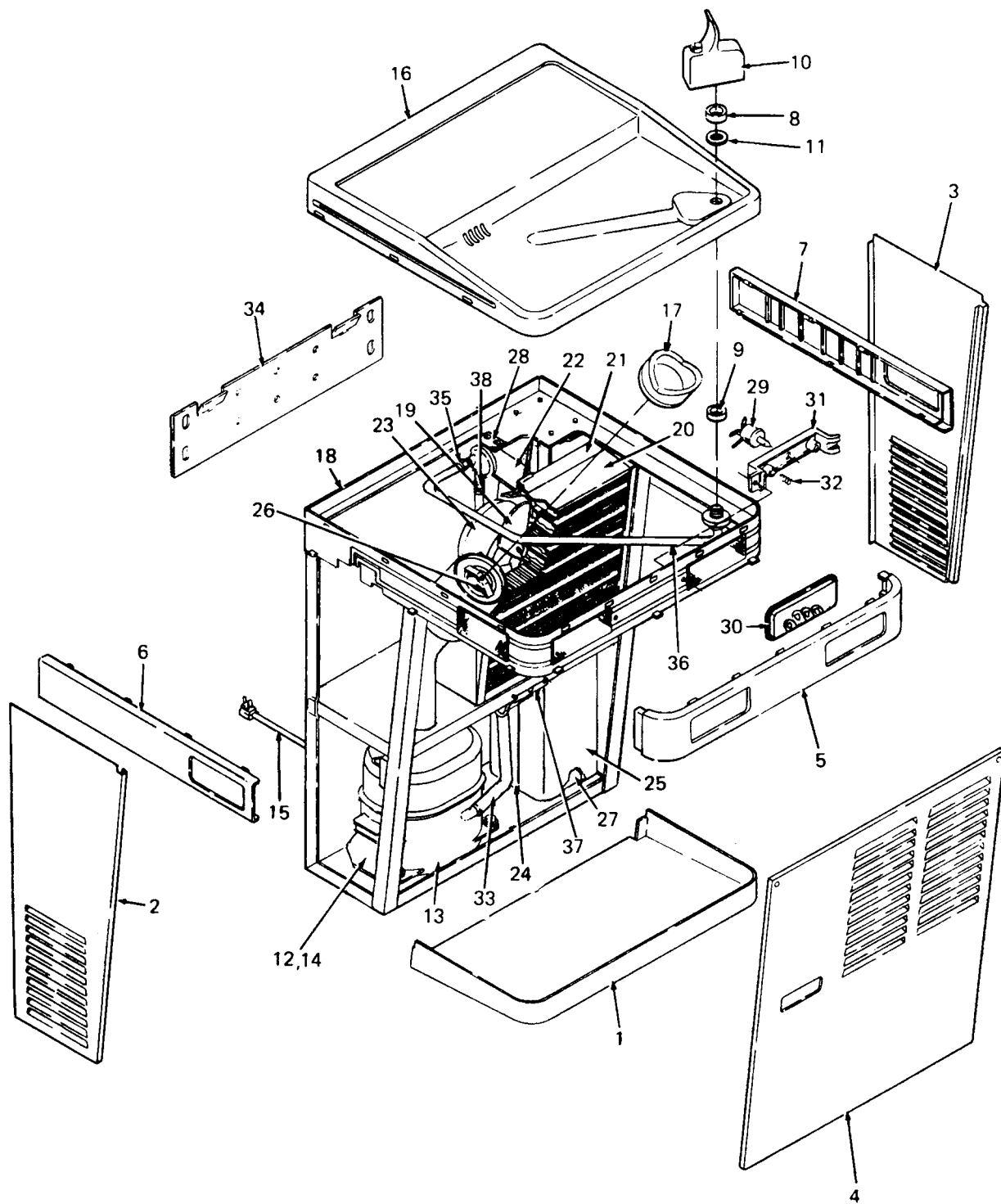
Model PLF4VMQ

Voltage	115 VAC ±10%/1PH/60 Hertz
Size	25" H., 18" W., 19" D.
Shipping Weight (Approx)	50 LBS.
Cold Water Capacity	4 GPH
Compressor	1/6 HP
Compressor (Full Load)	3.0 Amps
Refrigerant	R-500
Refrigerant Charge	2-3/4 OZ.

Model PLF8VMQ

Voltage	115 VAC ±10%/1PH/60 Hertz
Size	25" H., 18" W., 19" D.
Shipping Weight (Approx)	60 LBS.
Cold Water Capacity	7.8 GPH
Compressor	1/5 HP
Compressor (Full Load)	6 Amps
Refrigerant	R-500
Refrigerant Charge	4 OZ.

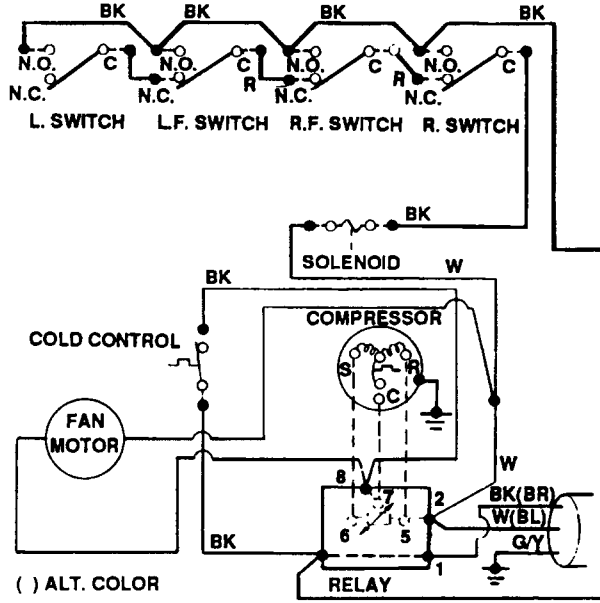
Specifications subject to change without notice.



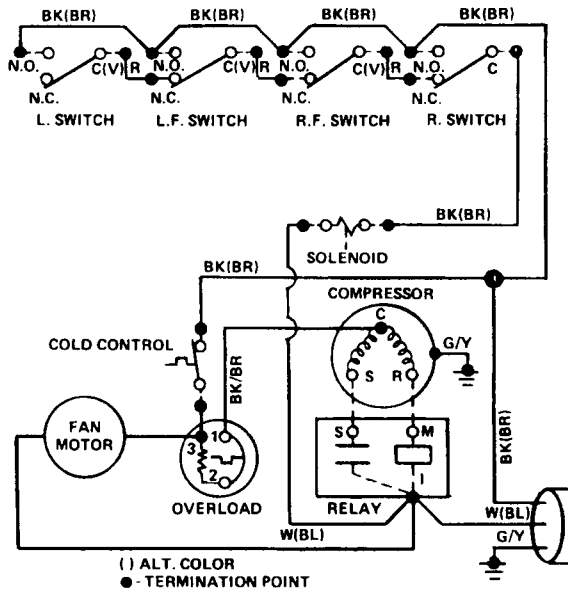
PARTS LIST

ITEM NO.	DESCRIPTION	PLF4VMQ-P	PLF8VMQ
1	Front Housing – Sandstone	026780-010	026780-010
	Front Housing – Stainless Steel	026780-011	026780-011
	Front Housing – Painted	026780-012	026780-012
2	Left Side Panel – Sandstone	026798-003	026798-003
	Left Side Panel – Stainless Steel	026798-007	026798-007
	Left Side Panel – Painted	026798-009	026798-009
3	Right Side Panel – Sandstone	026798-004	026798-004
	Right Side Panel – Stainless Steel	026798-008	026798-008
	Right Side Panel – Painted	026798-010	026798-010
4	Front Panel – Sandstone	026802-002	026802-002
	Front Panel – Stainless Steel	026802-004	026802-004
	Front Panel – Painted	026802-005	026802-005
5	Front Bezel	026869-001 OPEN	026869-001 OPEN
6	Left Side Bezel	026886-001 OPEN	026886-001 OPEN
7	Right Side Bezel	026886-002 OPEN	026886-002 OPEN
8	Valve Body Gasket	028706-006	028706-006
9	Washer (Under Top)	028706-001	028706-001
10	12000A Bubbler Valve	030774-004	030774-004
11	Friction Washer	028706-013	028706-013
12	Relay	027709-002	017978
13	Compressor	029941-001	027256-002
14	Overload	---	017977
15	Service Cord	026540-013	026540-004
16	Top	028835-001	028835-001
17	Waste Gasket	027205	027205
18	Frame Assembly	031359-001	031359-001
19	Fan Blade	024033	024033
20	Condenser	029942-002	026967
21	Fan Shroud	026968	026968
22	Fan Motor Bracket	026969	026969
23	Fan Motor Assembly	027354-025	027354-024
24	Cooling Tank Insulation (RH)	028660-001	028660-001
25	Cooling Tank Insulation (LH)	028661-001	028661-001
26	Waste Assembly	026981-002	026981-002
27	Cooling Tank Assembly (Insulated)	031408-003	031408-001
28	Solenoid Valve	031011-001	031011-001
29	Switch	028591-001	028591-001
30	Switch Pad	028587-001	028587-001
31	Switch Bracket	028588-001	028588-001
32	Compression Spring	027638-005	027638-005
33	Heat Exchanger	031411-002	031411-001
34	Hanger Bracket	031363-001	031363-001
35	Fitting Connector	023834-002	023834-002
36	Tube Assembly Sol to Blb	031035-001	031035-001
37	Cold Control	027040-007	027040-007
38	Male Fitting w/Gasket – GHT X 1/4 NPT	031033-001	031033-001
Accessory Item			
	Bezel – Trim 31" x 20-1/2"	031364-001	031364-001
Not Shown			
	Male Fitting Gasket	028706-024	028706-024

ELECTRICAL DIAGRAM



PLF4VMQ-P



PLF8VMQ

OASIS® & AQUARIUS® are registered trademarks of EBCO Manufacturing Company
The trademarks Kelvinator® and White-Westinghouse® are used under license from White Consolidated Industries, Inc.

EBCO® MANUFACTURING COMPANY

265 N. Hamilton Rd. • P.O. Box 13150 • Columbus, OH 43213-0150 • 614/861-1350 • Fax: 614/861-5017

Copyright 1993 EBCO Manufacturing Co.