



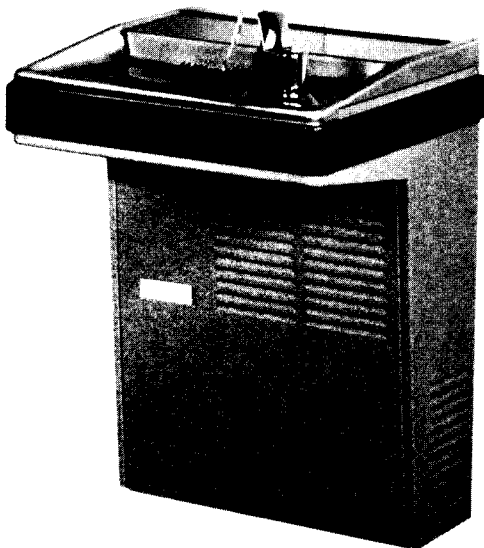
AQUARIUS
WAVES

Kelvinator[®]

White-Westinghouse[®]

ILLUSTRATED PARTS BREAKDOWN

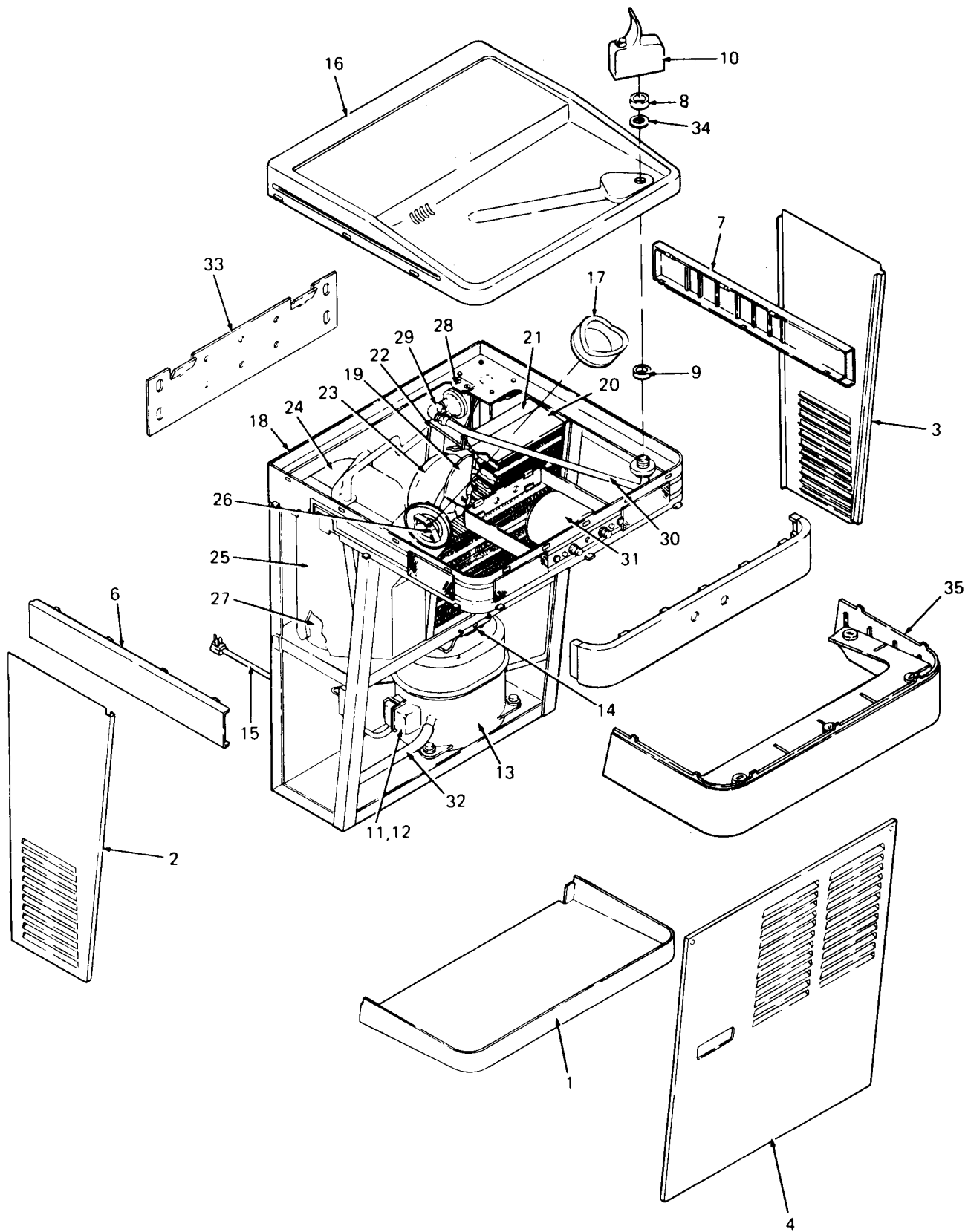
**WATER COOLER MODELS:
PLF8WMEE-100**



SPECIFICATIONS

Voltage	115 VAC \pm 10%/1PH/60 Hertz
Size	25" H., 18" W., 19" D.
Shipping Weight (Approx)	60 LBS.
Cold Water Capacity	8 GPH
Compressor	1/5 HP
Compressor (Full Load)	5 Amps
Refrigerant	134A
Refrigerant Charge	5 OZ. (142 GRAMS)

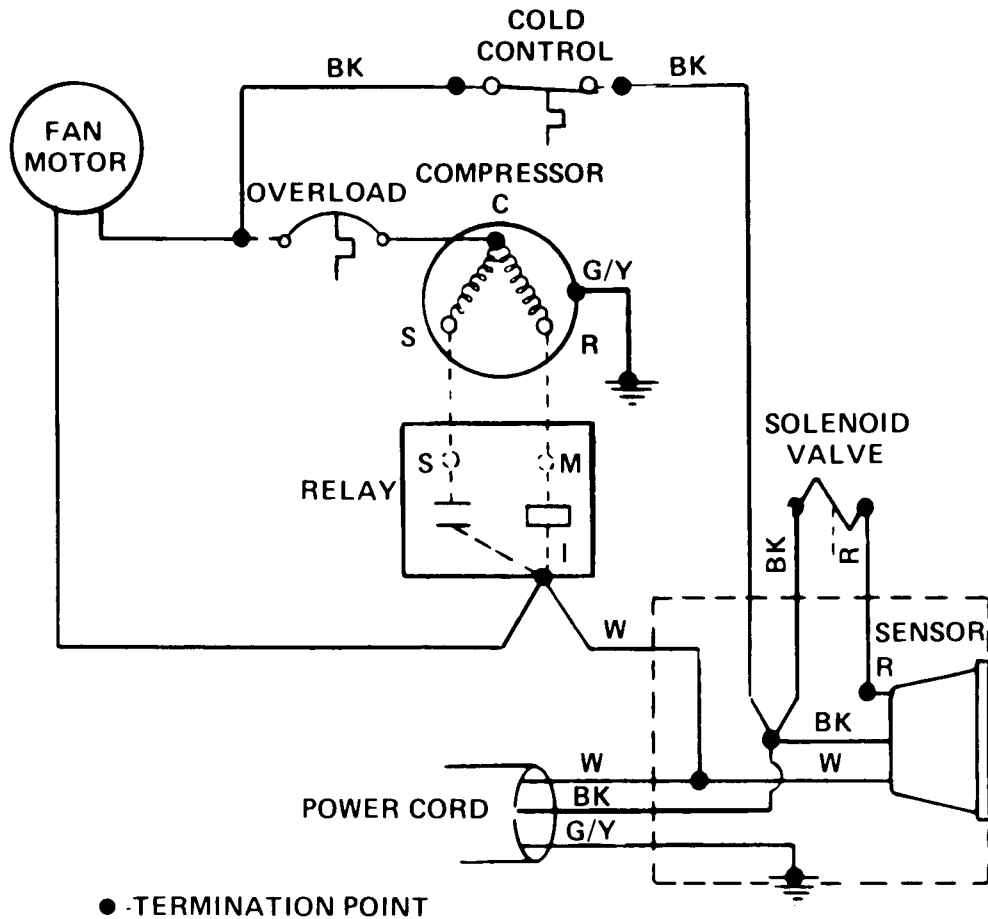
Specifications subject to change without notice.



PARTS LIST

ITEM NO.	DESCRIPTION	PLF8WMEE
1	Front Housing – Sandstone	031644-007
	Front Housing – Stainless Steel	031644-008
	Front Housing – Tan	031644-009
2	Left Side Panel – Sandstone	026798-003
	Left Side Panel – Stainless Steel	026798-007
	Left Side Panel – Tan	026798-009
3	Right Side Panel – Sandstone	026798-004
	Right Side Panel – Stainless Steel	026798-008
	Right Side Panel – Tan	026798-010
4	Front Panel – Sandstone	031645-002
	Front Panel – Stainless Steel	031645-003
	Front Panel – Tan	031645-004
5	Front Bezel	026869-003
6	Left Side Bezel	026886-003 CLOSED
7	Right Side Bezel	026886-004 CLOSED
8	Valve Body Gasket	028706-006
9	Washer (Under Top)	028706-001
10	12000A Valve Assembly	030774-004
11	Overload	030697-001
12	Relay	030698-001
13	Compressor	031525-003
14	Cold Control	027040-007
15	Service Cord	026540-026
16	Top	028835-002
17	Waste Gasket	027205
18	Frame Assembly	026976-003
19	Fan Blade	024033
20	Condenser	031729-001
21	Fan Shroud	026968
22	Fan Motor Bracket	026969
23	Fan Motor Assembly	027354-026
24	Cooling Tank Insulation (RH)	028660-001
25	Cooling Tank Insulation (LH)	028661-001
26	Waste Assembly	026981-001
27	Cooling Tank Assembly (Insulated)	031787-001
28	Solenoid Valve	029819-001
29	Elbow Fitting	028787-002
30	Tube Assembly Sol to Bib	028783-001
31	Sensor	028282-001
32	Heat Exchanger	031780-001
33	Hanger Bracket	016698-002
34	Friction Washer	028706-013
35	Cane Touch Bezel	031628-001
NOT SHOWN		
	Refrigerant Drier	031593-003

ELECTRICAL DIAGRAM



OASIS® & AQUARIUS® are registered trademarks of EBCO Manufacturing Company
 The trademarks Kelvinator® and White-Westinghouse® are used under license from White Consolidated Industries, Inc.

EBCO® MANUFACTURING COMPANY

265 N. Hamilton Rd. • P.O. Box 13150 • Columbus, OH 43213-0150 • 614/861-1350 • Fax: 614/861-5017

Printed in U.S.A.
 Copyright 1994 EBCO Manufacturing Co.