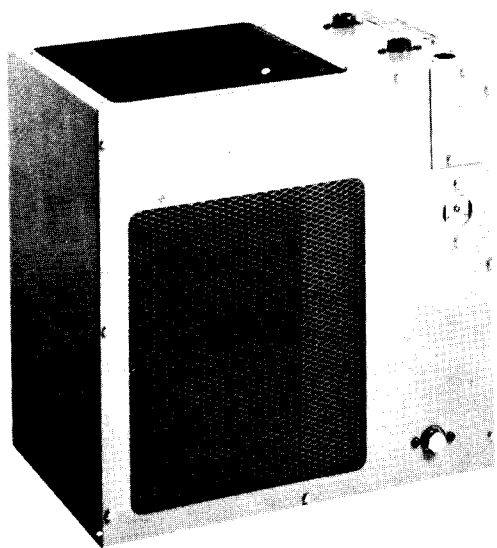




Illustrated Parts Breakdown

Models:

RLF12-D100 & RLF12X-D100



SPECIFICATIONS:

Models: **RLF12-D100**

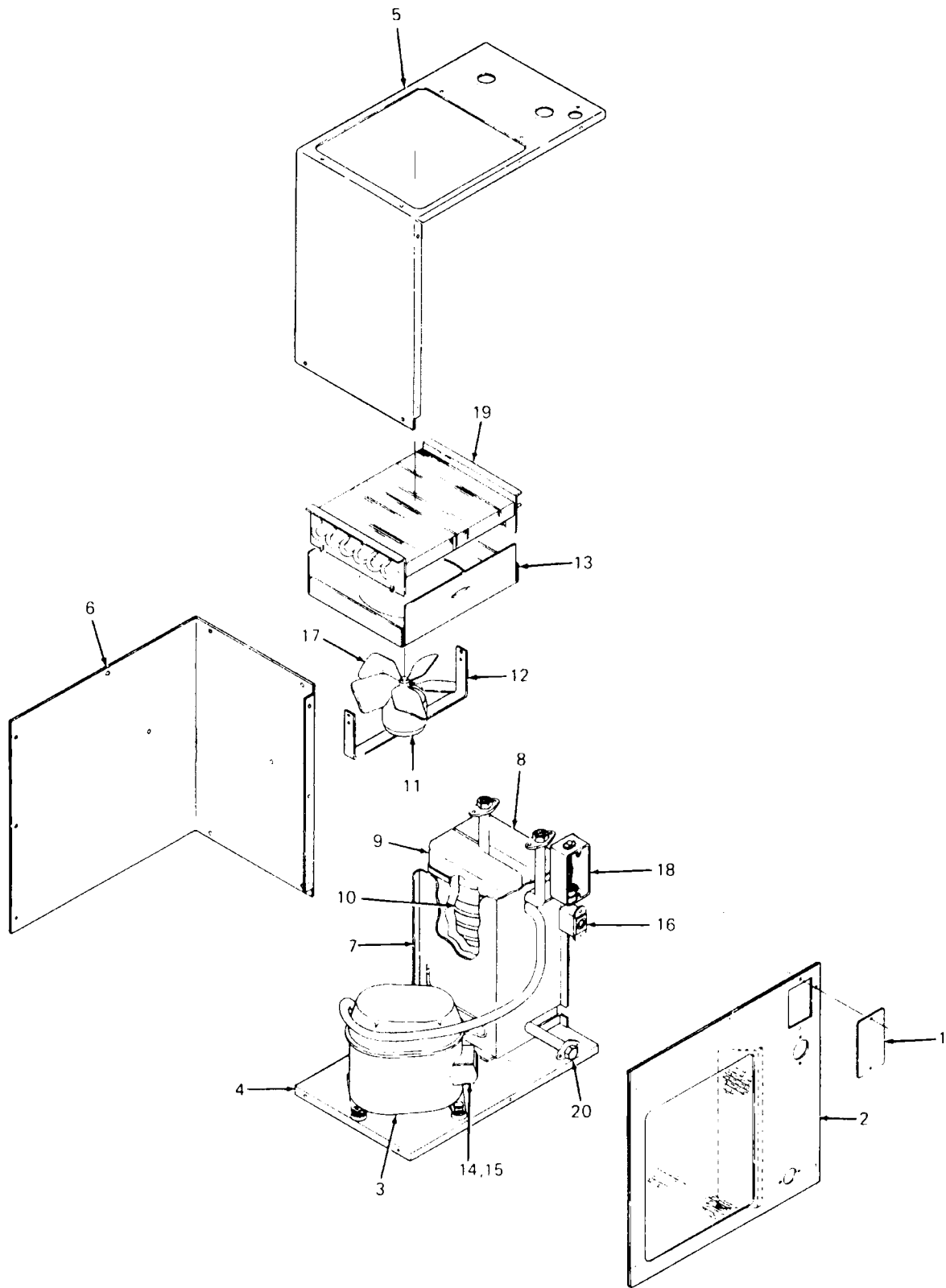
Voltage	115VAC±10%/1 PH/60 Hertz
Size	16 1/2" H, 16 1/2" W, 10 1/2"D
Shipping Weight (Approx)	49 lbs.
Cold Water Capacity*	12 GPH
Compressor	1/3 hp
Compressor (Full Load)	8.7 amps
Refrigerant	134a
Refrigerant Charge	5.7 OZ

Model: **RLF12X-D100**

Voltage	220-240VAC /50 Hertz
Size	16 1/2" H, 16 1/2" W, 10 1/2"D
Shipping Weight (Approx)	49 lbs
Cold Water Capacity*	12 GPH
Compressor	1/3 hp
Compressor (Full Load)	3.7 amps
Refrigerant	134a
Refrigerant Charge	6.0 OZ

*A.R.I. Ratings: Room Temperature 90°F; Supply Water Temperature 90°F; Drinking Water Temperature 50°F.

Specifications subject to change without notice.



Parts List

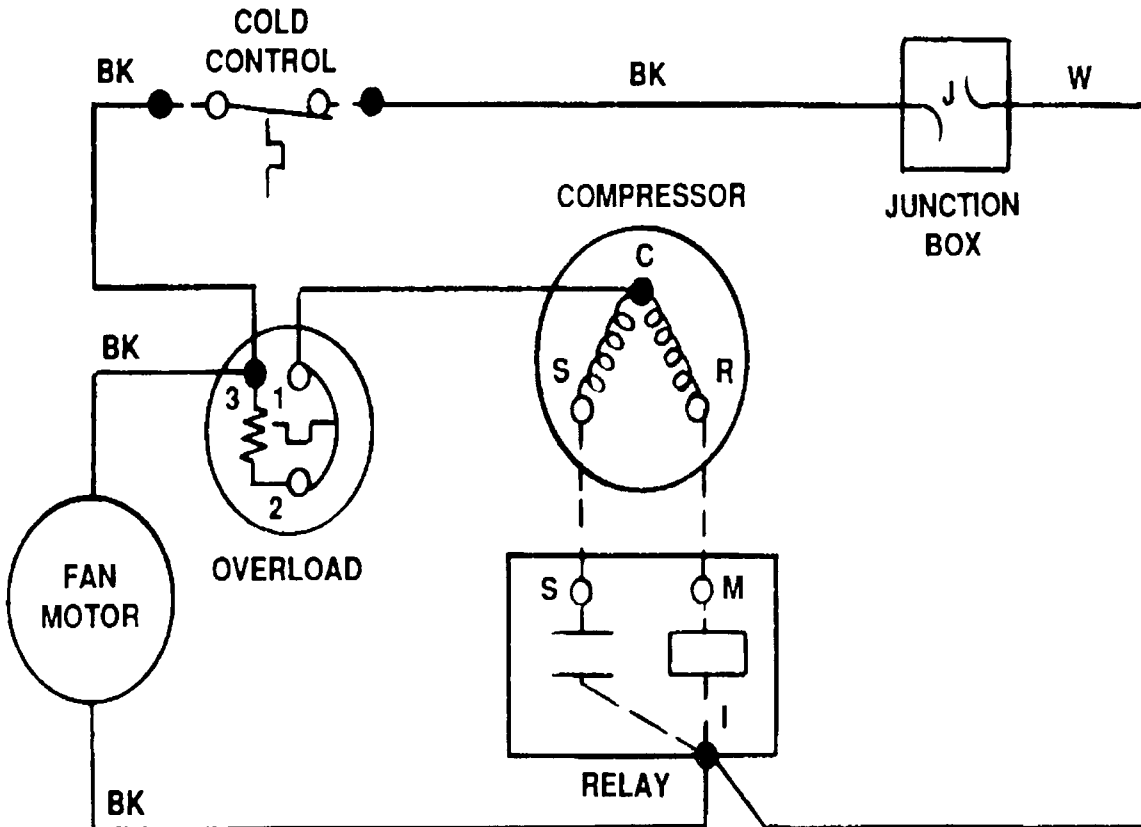
Item#	Description	RLF12-D100	RLF12X-D100
1	Utility Box Cover.....	023877	023877
2	Front Panel.....	025619	025619
3	Compressor Assy (includes Items 14 & 15)	031525-006	031525-006
4	Base.....	028820-001	028820-001
5	Top & Side Panel.....	025615	025615
6	Rear & Side Panel.....	026516	026516
7	Fire Barrier.....	028821-001	028821-001
8	Cooling Tank Insulation, RH.....	028660-001	028660-001
9	Cooling Tank Insulation, LH.....	028661-001	028661-001
10	Insulated Cooling Tank Assy.....	031734-003	031743-003
11	Fan Motor.....	027354-032	027354-030
12	Fan Motor Bracket.....	017530	017530
13	Fan Shroud.....	017821	017821
14	Overload.....	031697-005	031697-013
15	Relay.....	031698-006	031698-003
16	Cold Control.....	027040-007	027040-007
17	Fan Blade.....	024033	024033
18	Utility Box.....	020305-001	020305-001
19	Condensor.....	027896-002	027896-002
20	Drain Plug.....	016899-001	016899-001

Parts Not Shown:

Heat Exchanger.....	028817-005	028817-005
Drier, Refrigerant.....	031593-007	031593-007

Electrical Diagram

Model RLF12-D100 & RLF12X-D100



OASIS® Corporation

265 N Hamilton Rd • PO Box 13150 • Columbus OH 43213
614/861-1350 • 614/861-0231 Fax