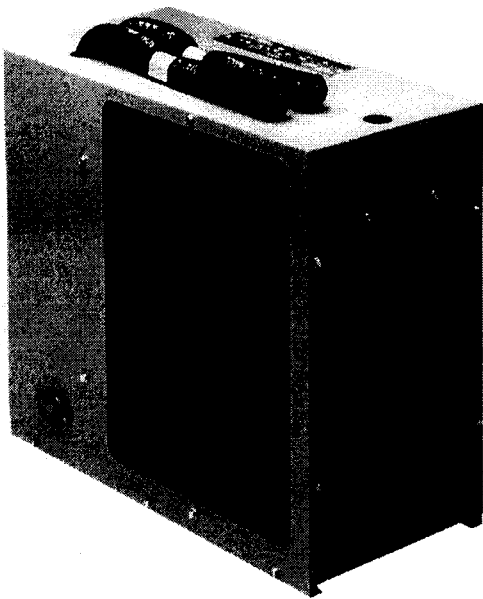




Illustrated Parts Breakdown

Models:

RLF1S-D100 & RLF1SY-D100



SPECIFICATIONS:

Models: **RLF1S-D100**

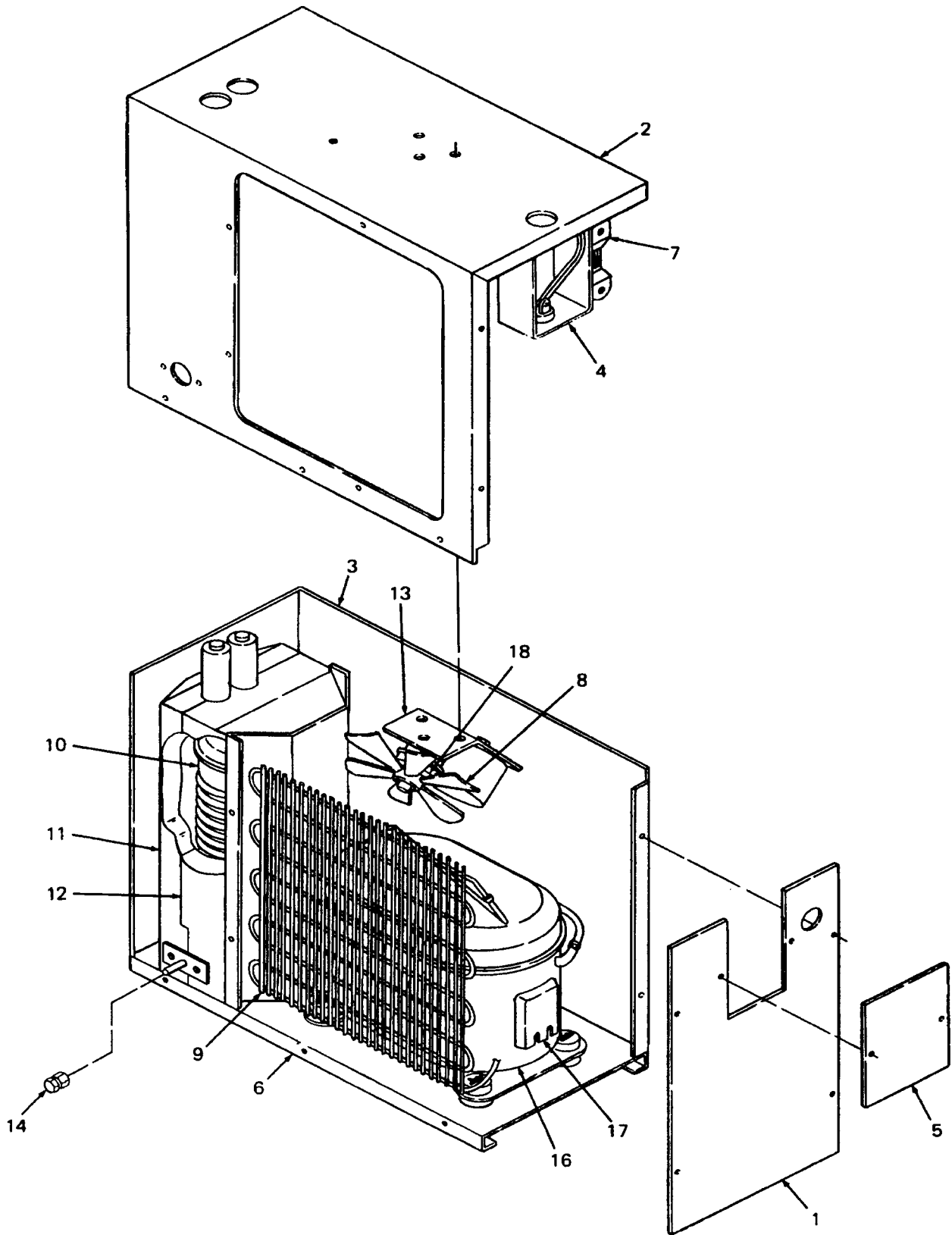
Voltage	115VAC±10%/1 PH/60 Hertz
Size	12" H, 15" W, 7"D
Shipping Weight (Approx)	30 lbs.
Cold Water Capacity*	1 GPH
Compressor	1/20 hp
Compressor (Full Load)	1.7 amps
Refrigerant	134a
Refrigerant Charge	1.9 OZ

Model: **RLF1SY-D100**

Voltage	220-240VAC /50 Hertz
Size	12" H, 15" W, 7"D
Shipping Weight (Approx)	30 lbs
Cold Water Capacity*	1 GPH
Compressor	1/20 hp
Compressor (Full Load)	.8 amps
Refrigerant	134a
Refrigerant Charge	1.9 OZ

*A.R.I. Ratings: Room Temperature 90°F; Supply Water Temperature 80°F; Drinking Water Temperature 50°F.

Specifications subject to change without notice.

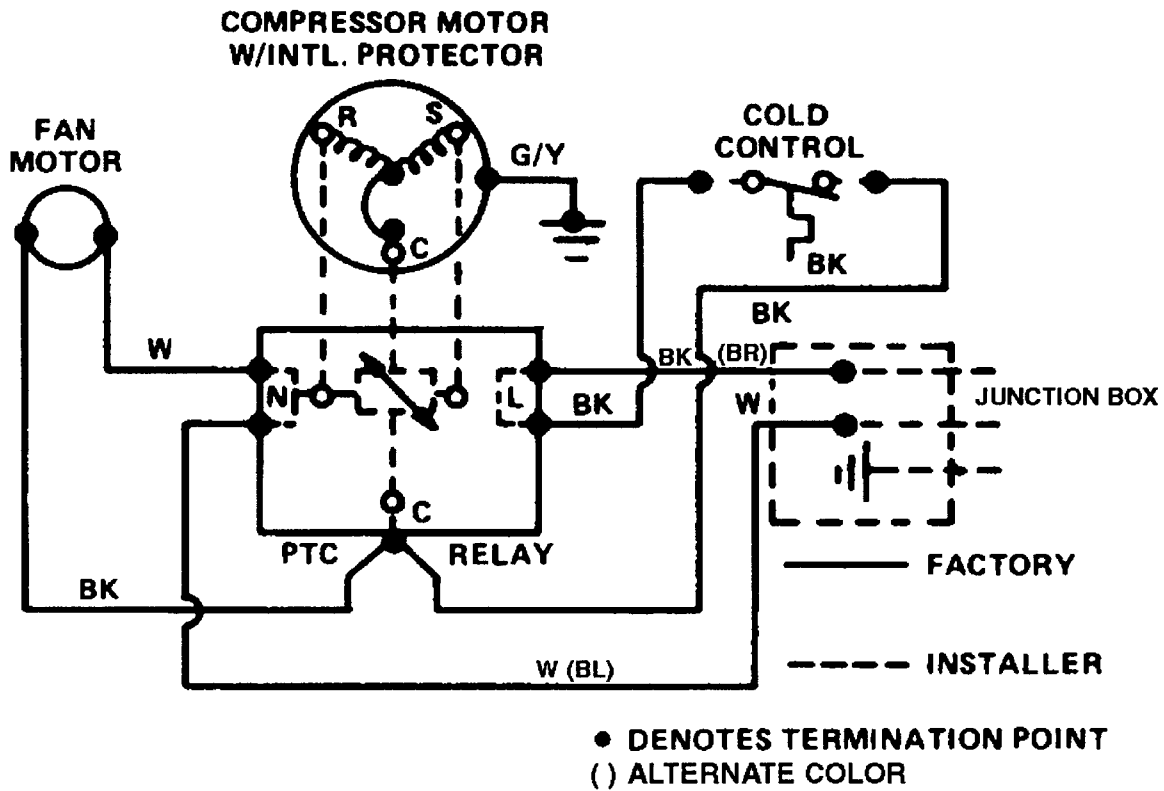


Parts List

Item#	Description	RLF1S-D100	RLF1SY-D100
1	Access Panel.....	027983-001	027983-001
2	Front & top Panel Assy.....	027996-001	027996-001
3	Rear & Left Side Panel Assy.....	027982-001	027982-001
4	Utility Box.....	020305-002	020305-002
5	Junction Box Cover.....	028004-001	028004-001
6	Base Assy.....	028008-001	028008-001
7	Cold Control.....	027040-007	027040-007
8	Fan Blade.....	026857	026857
9	Condensor.....	027976-001	027976-001
10	Cooling Tank Assy (Insulation).....	030990-002	030990-002
11	Cooling Tank Insulation, LH.....	027975-001	027975-001
12	Cooling Tank Insulation, RH.....	027974-001	027974-001
13	Fan Motor Bracket.....	028005-001	028005-001
14	Compression Cap.....	032327-001	032327-001
16	Compressor (includes 17 & 18).....	031530-008	031530-004
17	Relay.....	026867	026309
18	Fan Motor.....	017079	024938
Parts Not Shown			
	Heat Exchanger.....	028053-003	028 053-003
	Drier, Refrigerant.....	031593-001	031593-001

Electrical Diagram

Model RLF1S-D100 & RLF1SY-D100



OASIS Corporation

265 N Hamilton Rd • PO Box 13150 • Columbus OH 43213
614/861-1350 • 614/861-0231 Fax

OASIS and  are registered trademarks of OASIS Corporation