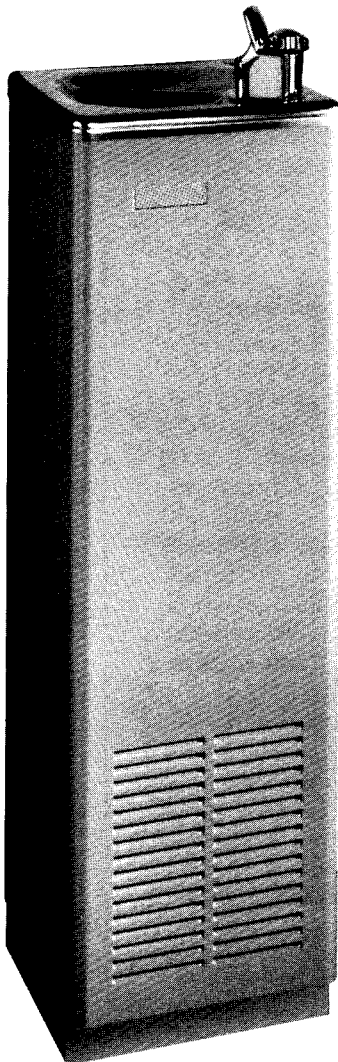


SERVICE INSTRUCTIONS

...with Illustrated Parts Breakdown

EBCO®

WATER COOLER MODELS: CP3H-2, CP3H-2-D



DESCRIPTION

These models provide drinking water cooled to 50°F at 3 gallons per hour. The CP3H also provides 45 cups per hour of 185°F hot water. These units are free-standing and require connections to supply water, electrical power, and waste drain.

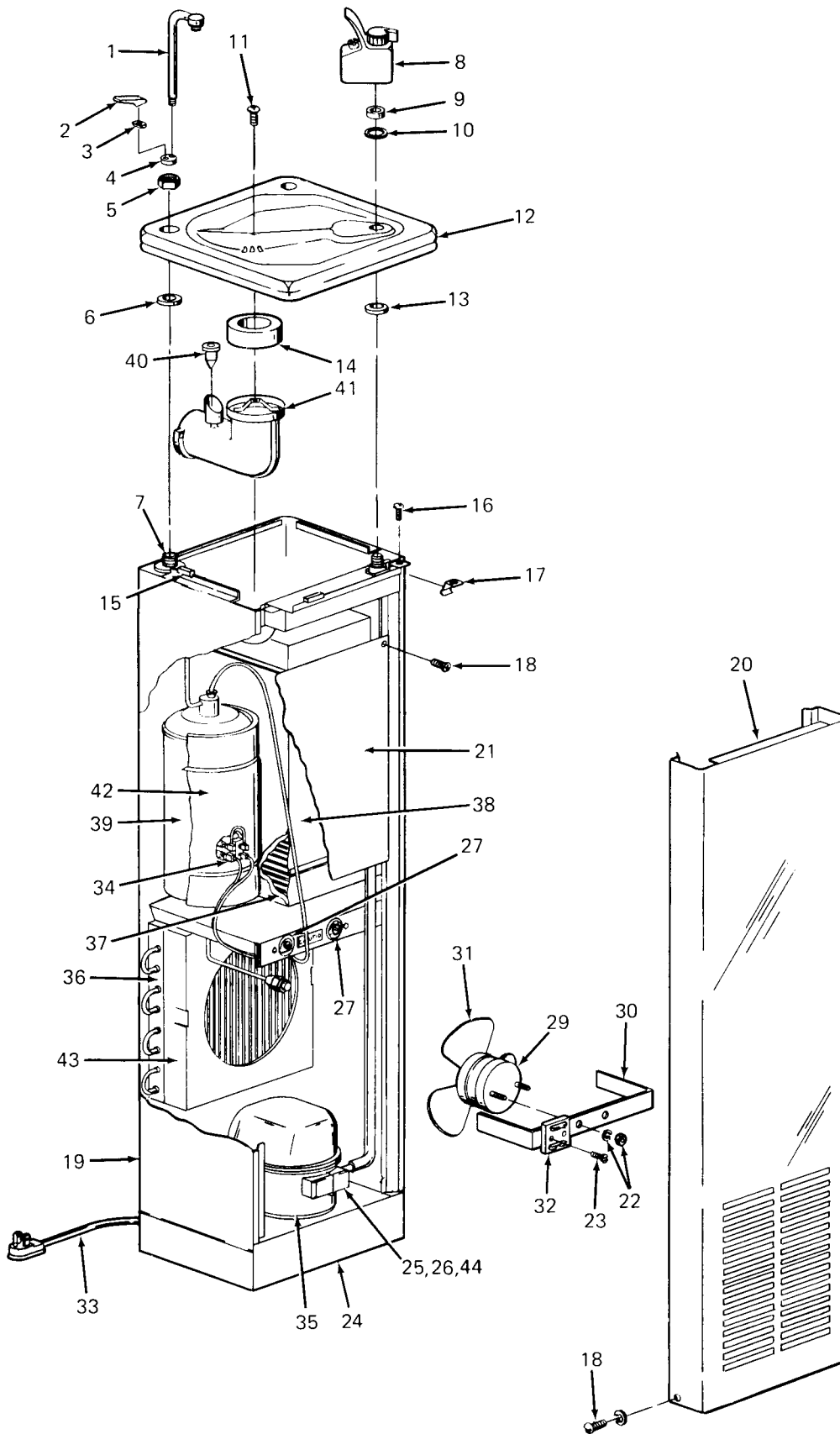
The refrigeration system is hermetically sealed at manufacture and is generally considered to be non-field-serviceable. The air-cooled compressor pumps refrigerant through the fan-cooled condenser and a capillary tube (expansion valve) to the cooling tank evaporator. The evaporator is wrapped around the cooling tank for high efficiency.

The hot tank is vented to atmospheric pressure through the two-way action of the hot faucet, eliminating the need for pressure/temperature devices and allowing outgassing of water additives.

The electrical circuit includes automatic overload protection, adjustable hot and cold controls for water temperature regulation, and a switch to cut off the hot water system.

SPECIFICATIONS

Voltage	115 VAC ±10%/1PH/60 Hertz
Size	40" H., 12" W., 12" D.
Shipping Weight (Approx)	80 LBS.
Cold Water Capacity	3 GPH
Cold Water Compressor	1/8 HP
Cold Water Compressor FLA	3.2 Amps
Refrigerant	R-12
Refrigerant Charge	4 OZ.
Hot Water Capacity	45 Cups/HR.
Hot Water Temperature Range	150°-185° F



MODELS: CP3H-2, CP3H-2-D

REPLACEMENT PARTS LIST

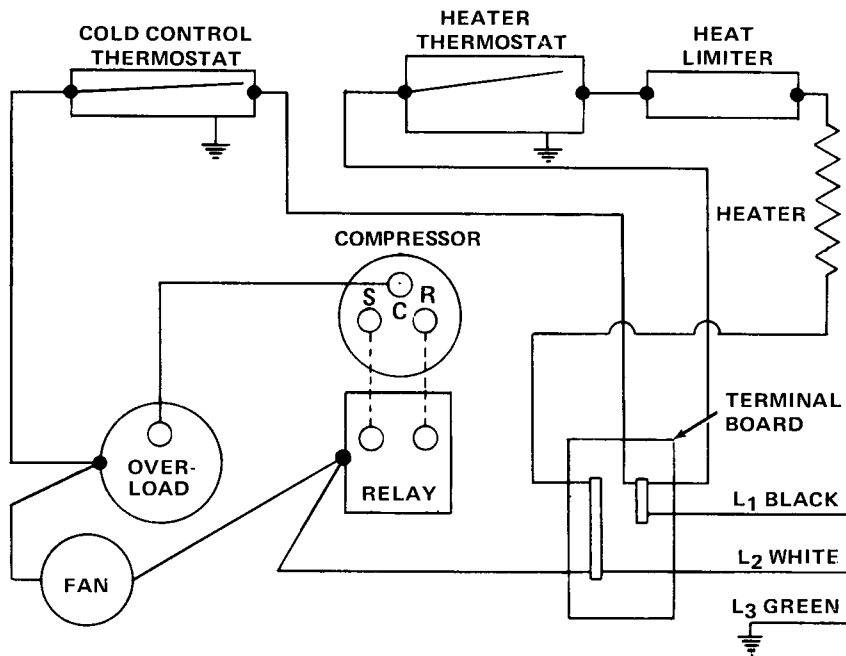
ITEM NO.	DESCRIPTION	CP3H-2	CP3H-2-D
HOT VALVE			
1	Gooseneck	017590	017590
2	Handle	017925	017925
3	Tee Nut	017926	017926
4	Body Cap	017927	017927
5	Nut	017583	017583
6	Rubber Gasket	017582	017582
7	Valve Body Assembly	026324	026324
TOP BASIN			
8	12000 Bubbler Valve	026551-002	026551-002
9	Gasket	008983	008983
10	Friction Washer	009281	009281
11	Top Screw	015694	015694
12	Top	016391	016391
13	Gasket	010545	010545
14	Waste Gasket	019131	019131
CABINET			
15	Top Pad	011641	011641
16	Screw	007392	007392
17	Speed Nut	012253	012253
18	Screw	017055	017055
19	Cabinet Assembly	019687-001	019687-001
20	Front Panel	017528	017528
21	Fire Barrier	017982	017982
22	Nut and Lock Washer	017417	017417
23	Screw	017541	017541
24	Base Assembly	021412	021412
ELECTRICAL			
25	Starting Relay	016941	---
26	Overload	017560	---
26A	†Overload and Relay (Not Shown)	---	022161
27	Cold Control	017352	017352
28	Hot Control	021579	021579
29	Fan Motor	017359	017359
30	Fan Motor Bracket	017530	017530
31	Fan Blade	017820	017820
32	Terminal Base	019792	019792
33	Service Cord	026540-003	026540-002
34	Heat Limiter	024373	024373
REFRIGERATION			
35	Compressor (Includes Items 25 and 26)	017562	019843
36	Condenser	017531	017531
37	Cooling Tank Assembly	018459-001	018459-001
38	Cooling Tank Insulation (2 Required)	017599	017599
MISCELLANEOUS			
39	Hot Tank Assembly	026279	026279
40	Duckbill Check Valve	026274	026274
41	Insulated Waste Assembly	026308	026308
42	Hot Tank Insulation	019127	019127
43	Fan Shroud	023931	023931
44	†Compressor Cover	016943	022170

†Used on Danfoss Compressor Models Only

SERVICE CHECK CHART

TROUBLE	PROBABLE CAUSE	REMEDY
Unit not running	No electrical power Defective cold control Defective relay	Check power source Check that cold control is not in off position Replace Replace
Unit running but not cooling	Refrigerant leak or low refrigerant	Add refrigerant
Unit running continuously	Defective cold control Low refrigerant	Replace Add refrigerant

ELECTRICAL DIAGRAM



EBCO[®] MANUFACTURING COMPANY

265 N. Hamilton Rd. • P.O. Box 13150 • Columbus, OH 43213-0150 • 614/861-1350 • Cable: EBCO • Telex: 246637