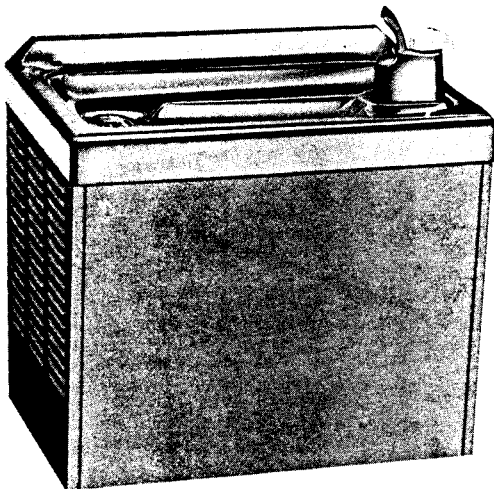


# SERVICE INSTRUCTIONS

...with Illustrated Parts Breakdown

# EBCO<sup>®</sup>

## WATER COOLER MODELS: CP3M AND CP5M



### DESCRIPTION

These models provide drinking water cooled to 50° F at 3 and 5 gallons per hour. The unit mounts on a wall and requires connections to supply water, electrical power and waste drain.

The refrigeration system is hermetically sealed at manufacture and is generally considered to be non-field serviceable. The air-cooled compressor pumps refrigerant through the fan-cooled condenser and a capillary tube (expansion valve) to the cooling tank evaporator. The evaporator is wrapped around the cooling tank for high efficiency.

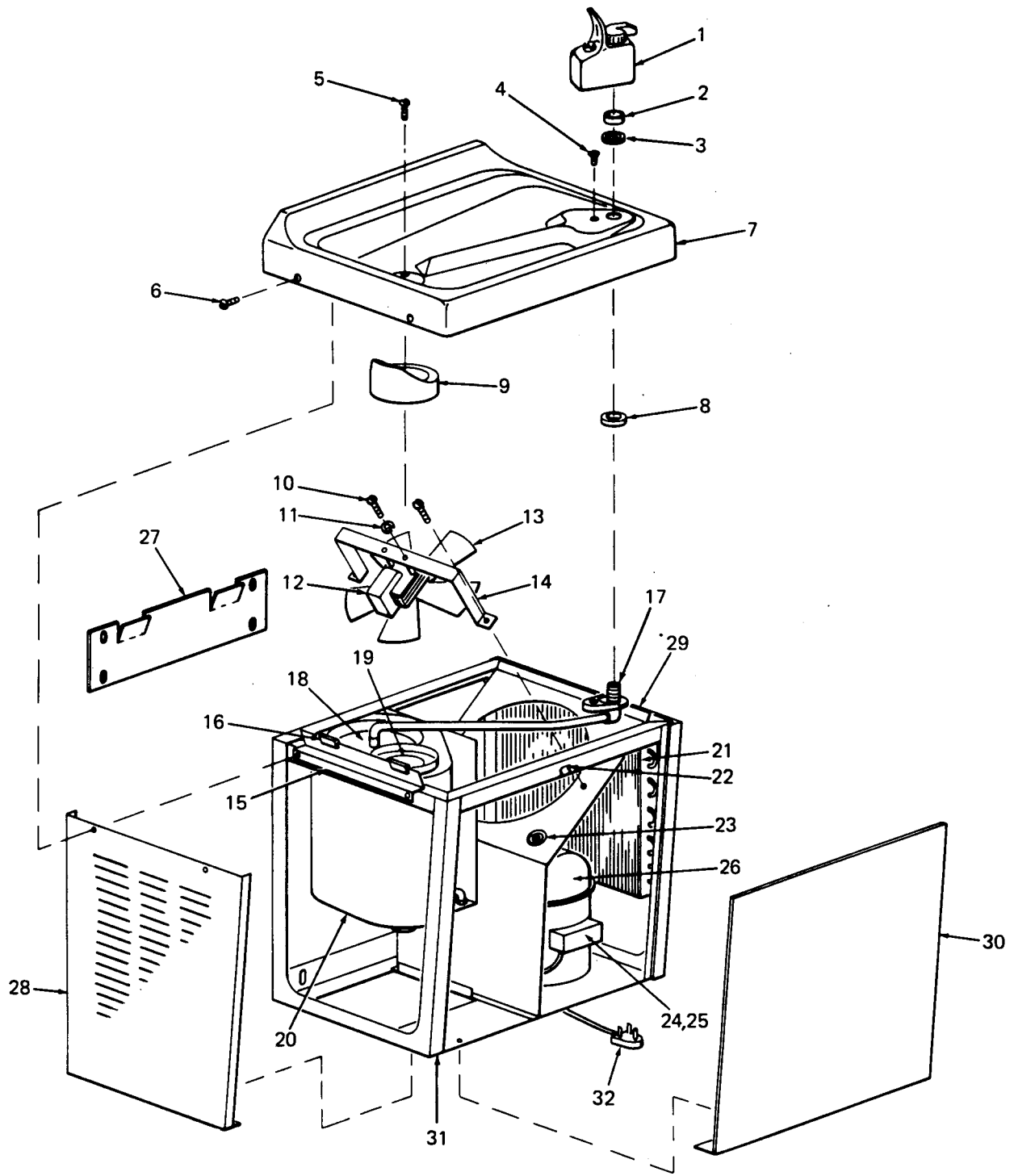
The electrical circuit includes automatic overload protection, and an adjustable cold control for water temperature regulation.

### SPECIFICATIONS

Voltage	115 VAC ±10%/1PH/60 Hertz
Size	16" H., 17" W., 13" D.
Shipping Weight (Approx)	55 LBS.
Cold Water Capacity*	2.7 GPH
Cold Water Capacity	5 GPH
Compressor	1/8 HP
Compressor (Full Load)	3.2 Amps
Refrigerant	R-12
Refrigerant Charge	4 OZ.

\*A.R.I. Rating: Room Temperature 90° F; Supply Water Temperature 80° F; Drinking Water Temperature 50° F.

Specifications subject to change without notice.



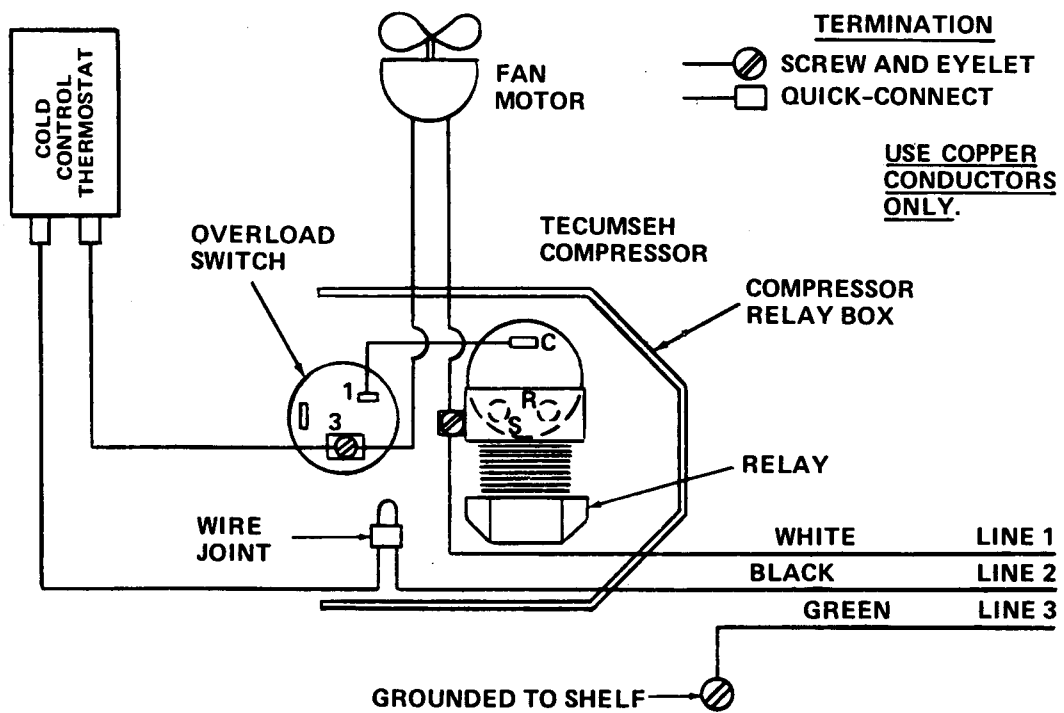
## PARTS LIST

ITEM NO.	DESCRIPTION	CP3M	CP5M
1	Bubbler Valve	026551-002	026551-002
2	Gasket Valve	008983	008983
3	Friction Washer	009281	009281
4	Valve Spud Screw	026680-005	026680-005
5	Drain Screw	026655-002	026655-002
6	Top Screw	026630-005	026630-005
7	Top	019441	019441
8	Gasket (Under Top)	010545	010545
9	Waste Gasket	018050	018050
10	Screw	026660-008	026660-008
11	Washer	007456	007456
12	Fan Motor	019977	019977
13	Fan Blade	019979	019979
14	Fan Motor Bracket	019978	019978
15	Spacer Angle	018072	018072
16	Top Pad	011641	011641
17	Top Supply Line	019980	019980
18	Cooling Tank	019961	019961
19	Waste Assembly	019988	019970
20	Cooling Tank Insulation	019990L	019990L
	Cooling Tank Insulation	019990R	019990R
21	Condenser	019894	019894
22	Panel Clip	018156-001	018156-001
23	Cold Control	027040-008	027040-008
24	Overload	017560	017560
25	Relay	016941	016941
26	Compressor (Includes Items 24 and 25)	017562	017562
27	Hanger	025662-002	025662-002
28	Left Side Panel — Painted (Specify Color)	026935-003	026935-003
	Left Side Panel — Chestnut	026935-015	026935-015
	Left Side Panel — Charcoal	020008L	020008L
	Left Side Panel — Walnut	020009L	020009L
	Left Side Panel — Stainless Steel	026935-027	026935-027
29	Right Side Panel — Painted (Specify Color)	026935-004	026935-004
	Right Side Panel — Chestnut	026935-016	026935-016
	Right Side Panel — Charcoal	020008R	020008R
	Right Side Panel — Walnut	020009R	020009R
	Right Side Panel — Stainless Steel	026935-028	026935-028
30	Front Panel — Painted (Specify Color)	026925-001	026925-001
	Front Panel — Chestnut	026925-008	026925-008
	Front Panel — Charcoal	020004	020004
	Front Panel — Walnut	020005	020005
	Front Panel — Stainless Steel	026925-014	026925-014
31	Frame Assembly	019951	019951
32	Service Cord	026540-004	026540-004

# SERVICE CHECK CHART

TROUBLE	PROBABLE CAUSE	REMEDY
Unit not running	No electrical power	Check power source Check that cold control is not in off position
	Defective cold control Defective relay	Replace Replace
Unit running but not cooling	Refrigerant leak or low refrigerant	Add refrigerant
Unit running continuously	Defective cold control Low refrigerant	Replace Add refrigerant

## ELECTRICAL DIAGRAM



**EBCO<sup>®</sup> MANUFACTURING COMPANY**

265 N. Hamilton Rd. • P.O. Box 13150 • Columbus, OH 43213-0150 • 614/861-1350 • Cable: EBCO • Telex: 246637