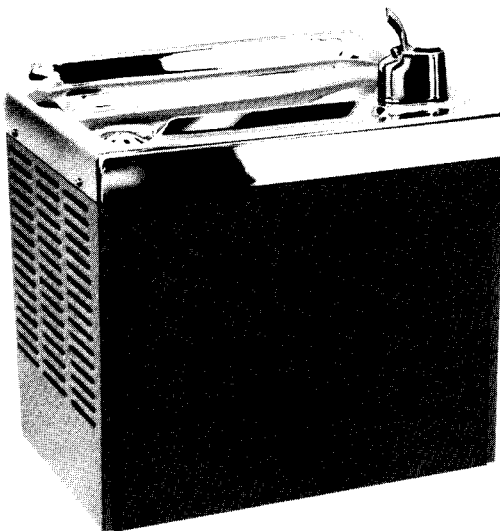


SERVICE INSTRUCTIONS

...with Illustrated Parts Breakdown

EBCO[®]

**WATER COOLER MODELS:
CP3M-D, CP5M-D, CP3M-D-50/60
AND CP5M-D-50/60**



DESCRIPTION

These models provide drinking water cooled to 50°F at 3 and 5 gallons per hour. The unit mounts on a wall and requires connections to supply water, electrical power, and waste drain.

The refrigeration system is hermetically sealed at manufacture and is generally considered to be non-field-serviceable. The air-cooled compressor pumps refrigerant through the fan-cooled condenser and a capillary tube (expansion valve) to the cooling tank evaporator. The evaporator is wrapped around the cooling tank for high efficiency.

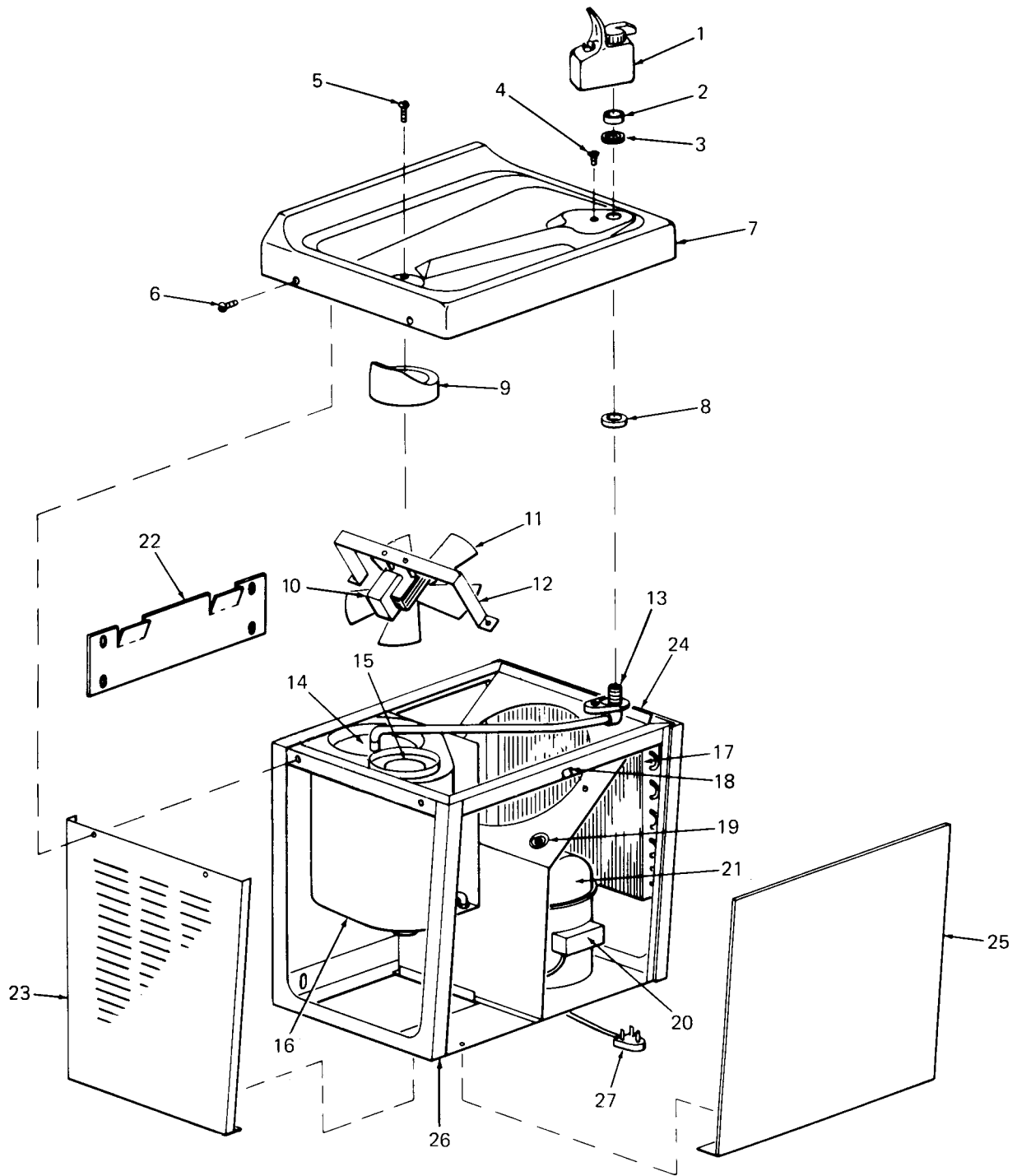
The electrical circuit includes automatic overload protection, and an adjustable cold control for water temperature regulation.

SPECIFICATIONS

Voltage	
CP3M-D	115 VAC ±10%/1PH/60Hertz
CP5M-D	
CP3M-D-50/60	220/240 Volt 50/60 Hertz
CP5M-D-50/60	
Size (Approx)	16" H., 17" W., 13" D.
Shipping Weight (Approx)	49 LBS.
Cold Water Capacity	3 and 5 GPH
Compressor - All Models	1/8 HP
Compressor (Full Load) 115 Volt	2.5 Amps
Compressor (Full Load) 220 Volt	1.2 Amps
Refrigerant	R-12
Refrigerant Charge - All Models	3-3/4 OZ.

* A.R.I. Rating: Room Temperature 90°F; Supply Water Temperature 80°F; Drinking Water Temperature 50°F.

Specifications subject to change without notice.



PARTS LIST

ITEM NO.	DESCRIPTION	CP3M-D	CP5M-D	CP3M-D-50/60	CP5M-D-50/60
1	Bubbler Valve	026551-002	026551-002	026551-002	026551-002
2	Valve Body Gasket	008983	008983	008983	008983
3	Friction Washer	009281	009281	009281	009281
4	Valve Spud Screw	026680-005	026680-005	026680-005	026680-005
5	Drain Screw	026655-002	026655-002	026655-002	026655-002
6	Top Screw	026630-005	026630-005	026630-005	026630-005
7	Top	019441-003	019441-003	019441-003	019441-003
8	Gasket (Under Top)	010545	010545	010545	010545
9	Waste Gasket	018050	018050	018050	018050
10	Fan Motor Assembly	027354-021	027354-021	027354-006	027354-006
11	Fan Blade	020243	020243	020243	020243
12	Fan Motor Bracket	026969	026969	026969	026969
13	Top Supply Line	019980	019980	019980	019980
14	Cooling Tank	028082-002	028082-002	028082-002	028082-002
15	Waste Assembly or Precooler	019988	028084-001	019988	028084-001
16	Cooling Tank Insulation L/H	019990L	019990L	019990L	019990L
	Cooling Tank Insulation R/H	019990R	019990R	019990R	019990R
17	Condenser	028072-001	028072-001	028072-001	028072-001
18	Panel Clip	018156-001	018156-001	018156-001	018156-001
19	Cold Control	027040-007	027040-007	027040-005	027040-005
20	Relay	026867	026867	026309	026309
21	Compressor (Includes Item 20)	026868-003	026868-003	026883-002	026883-002
22	Hanger Bracket	025662-002	025662-002	025662-002	025662-002
23	Left Side Panel – Tan	026935-003	026935-003	026935-003	026935-003
	Left Side Panel – Chestnut	026935-015	026935-015	026935-015	026935-015
	Left Side Panel – Charcoal	026935-019	026935-019	026935-019	026935-019
	Left Side Panel – Walnut	026935-023	026935-023	026935-023	026935-023
	Left Side Panel – Sandstone	026935-031	026935-031	026935-031	026935-031
	Left Side Panel – Stainless Steel	026935-027	026935-027	026935-027	026935-027
24	Right Side Panel – Tan	026935-004	026935-004	026935-004	026935-004
	Right Side Panel – Chestnut	026935-016	026935-016	026935-016	026935-016
	Right Side Panel – Charcoal	026935-020	026935-020	026935-020	026935-020
	Right Side Panel – Walnut	026935-024	026935-024	026935-024	026935-024
	Right Side Panel – Sandstone	026935-032	026935-032	026935-032	026935-032
	Right Side Panel – Stainless Steel	026935-028	026935-028	026935-028	026935-028
25	Front Panel – Tan	026925-001	026925-001	026925-001	026925-001
	Front Panel – Chestnut	026925-008	026925-008	026925-008	026925-008
	Front Panel – Charcoal	026925-010	026925-010	026925-010	026925-010
	Front Panel – Walnut	026925-012	026925-012	026925-012	026925-012
	Front Panel – Sandstone	026925-016	026925-016	026925-016	026925-016
	Front Panel – Stainless Steel	026925-014	026925-014	026925-014	026925-014
26	Frame Assembly	019951	019951	019951	019951
27	Service Cord	026540-013	026540-013	026540-013	026540-013

