



AQUARIUS



Kelvinator

White-Westinghouse®

ILLUSTRATED PARTS BREAKDOWN

WATER COOLER MODELS:

CP5-003

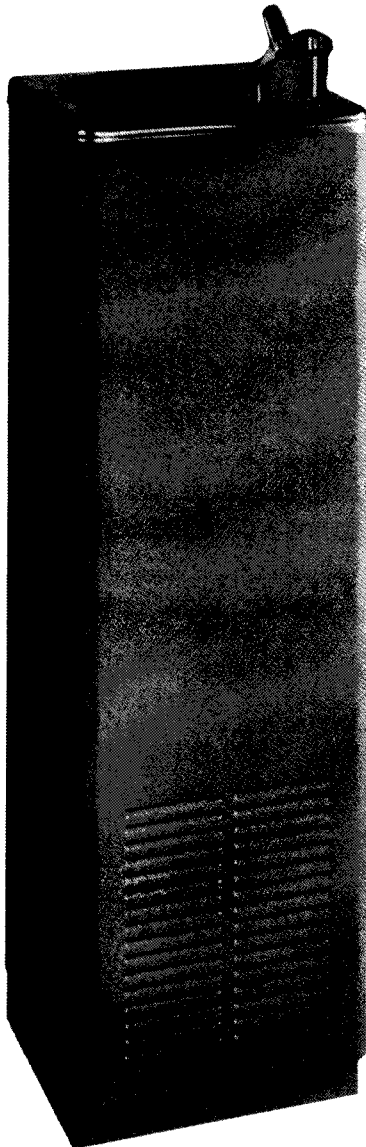
PLF5CP

PLF5CP-001

CP5-001P

PLF5CP-P

PLF5CP-P001

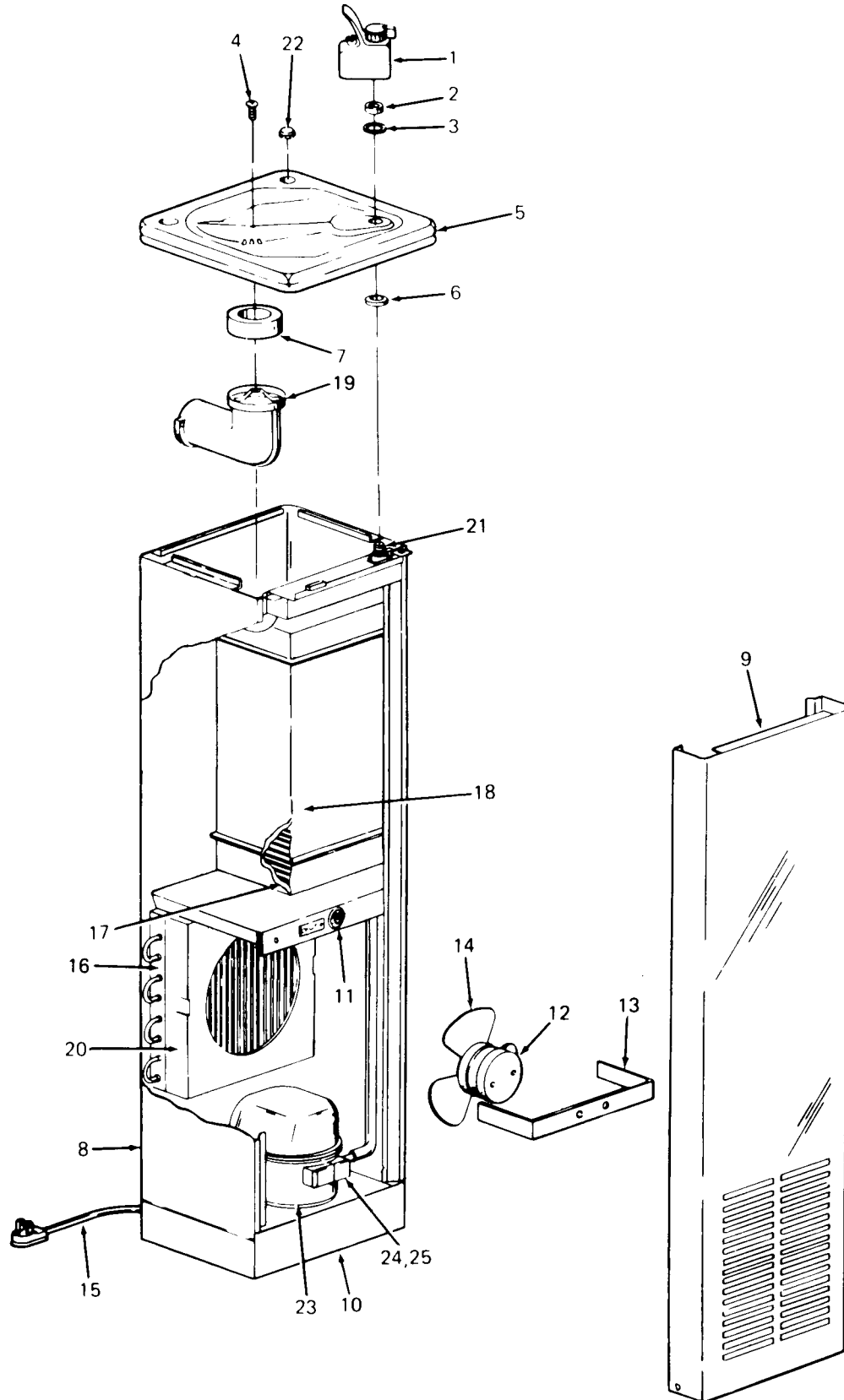


SPECIFICATIONS

Voltage	115 VAC \pm 10%/1PH/60 Hertz
Size (Approx)	40" H., 12" W., 12" D.
Shipping Weight (Approx)	69 LBS.
Cold Water Capacity	5 GPH
Compressor	1/5 HP
Compressor (Full Load)	4.2 Amps
Refrigerant	R-12
Refrigerant Charge	4-3/4 OZ.

*A.R.I. Rating: Room Temperature 90°F; Supply Water Temperature 80°F; Drinking Water Temperature 50°F.

Specifications subject to change without notice.



PARTS LIST

ITEM NO.	DESCRIPTION	CP5 PLF5CP SERIES
1	12000 Bubbler Valve	026551-002
	12000A Bubbler Valve (PLF-001 Series)	030774-002
2	Valve Body Gasket	008983
3	Friction Washer	009281
4	Top Screw	026655-002
5	Top	028464-001
6	Gasket (Under Top)	028706-001
7	Waste Gasket	019131
8	Cabinet Assembly – Tan	019687-007
	Cabinet Assembly – Stainless Steel	019687-009
9	Front Panel – Tan	017528-001
	Front Panel – Stainless Steel	017528-002
10	Base Assembly – Tan	030033-001
	Base Assembly – Stainless Steel	030033-003
11	Cold Control	027040-007
12	Fan Motor	027354-008
13	Fan Motor Bracket	017530
14	Fan Blade	022977
15	Service Cord	026540-005
16	Condenser	018252
17	Insulated Cooling Tank Assembly	028532-003
18	Cooling Tank Insulation (2 Required)	017599
19	Insulated Waste Assembly	024455
20	Fan Shroud	017821
21	Spud Bubbler Supply	028701-002
22	Hole Cover	016994

NOT SHOWN

Glass Filler Installation Kit	029006-001
-------------------------------------	------------

COMPRESSORS

TECUMSEH CP5 & PLF5CP

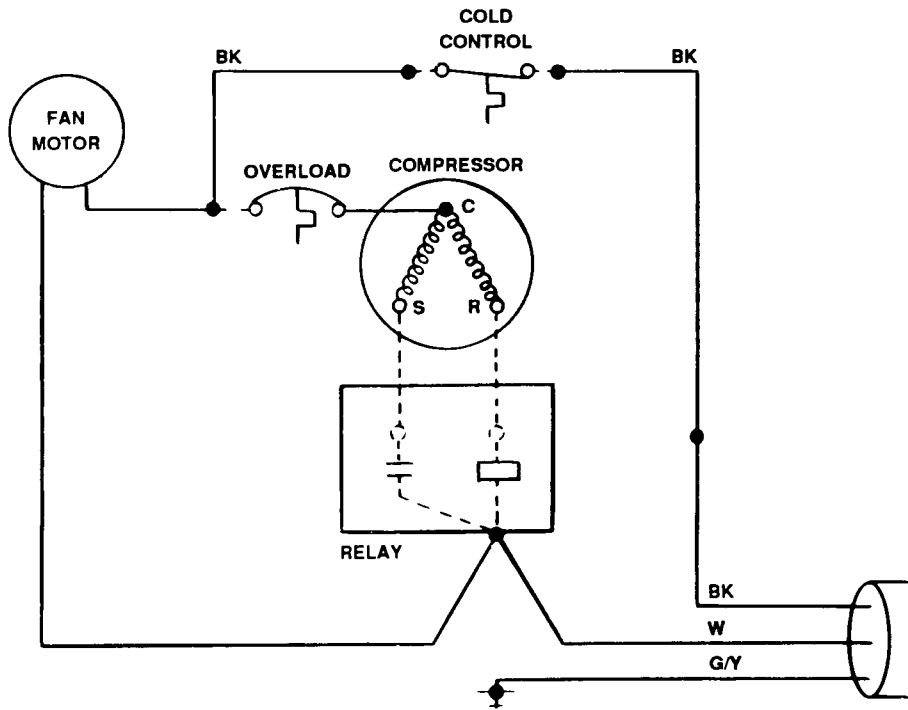
23	*Compressor Assembly	027256-002
24	Relay	017978
25	Overload	017977

PANASONIC CP5-P & PLF5CP-P

23	*Compressor Assembly	025826
24	Relay	025335-003
25	Overload	025824

*NOTE: Compressors include relay and overload.

ELECTRICAL DIAGRAM



OASIS® & AQUARIUS® are registered trademarks of EBCO Manufacturing Company
The trademarks Kelvinator® and White-Westinghouse® are used under license from White Consolidated Industries, Inc.

EBCO® MANUFACTURING COMPANY

265 N. Hamilton Rd. • P.O. Box 13150 • Columbus, OH 43213-0150 • 614/861-1350 • Fax: 614/861-5017

Copyright 1993 EBCO Manufacturing Co.