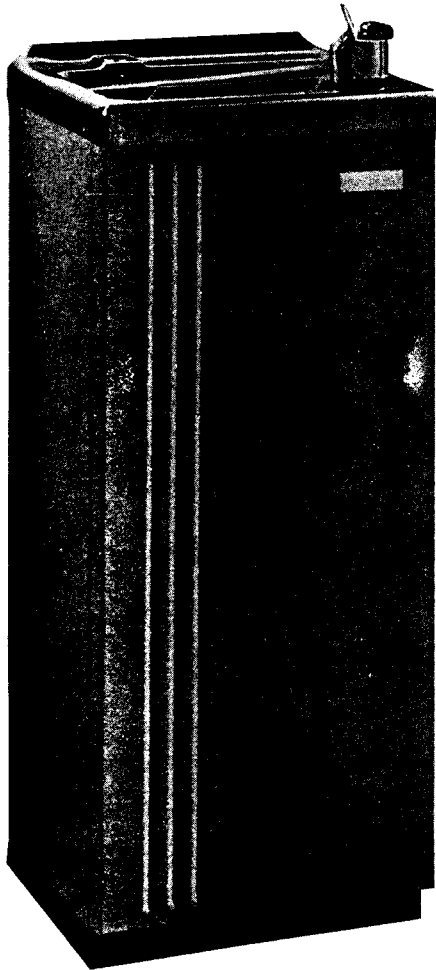


SERVICE INSTRUCTIONS

...with Illustrated
Parts Breakdown

EBCO[®]

WATER COOLER MODELS: DP10X, DP10X-SCP



DESCRIPTION

These models provide drinking water cooled to 50°F at 10 gallons per hour and are listed by UL as explosion proof for hazardous locations. Model DP10X-SCP is stainless steel and corrosion resistant. These units are free-standing, self-supporting and require connections to supply water, electrical power and waste drain.

The refrigeration system is hermetically sealed at manufacture and is generally considered to be non-field serviceable. The compressor has two circuits and is self-cooling. One circuit pumps refrigerant through a small convection-cooled condenser to dissipate compressor heat. The other circuit pumps refrigerant through a larger convection-cooled condenser and a capillary tube (expansion valve) to the cooling tank evaporator. The evaporator is wrapped around the cooling tank for high efficiency. A pre-cooler routes supply water around cold drain water to cool incoming water and a sub-cooler provides additional refrigerant cooling.

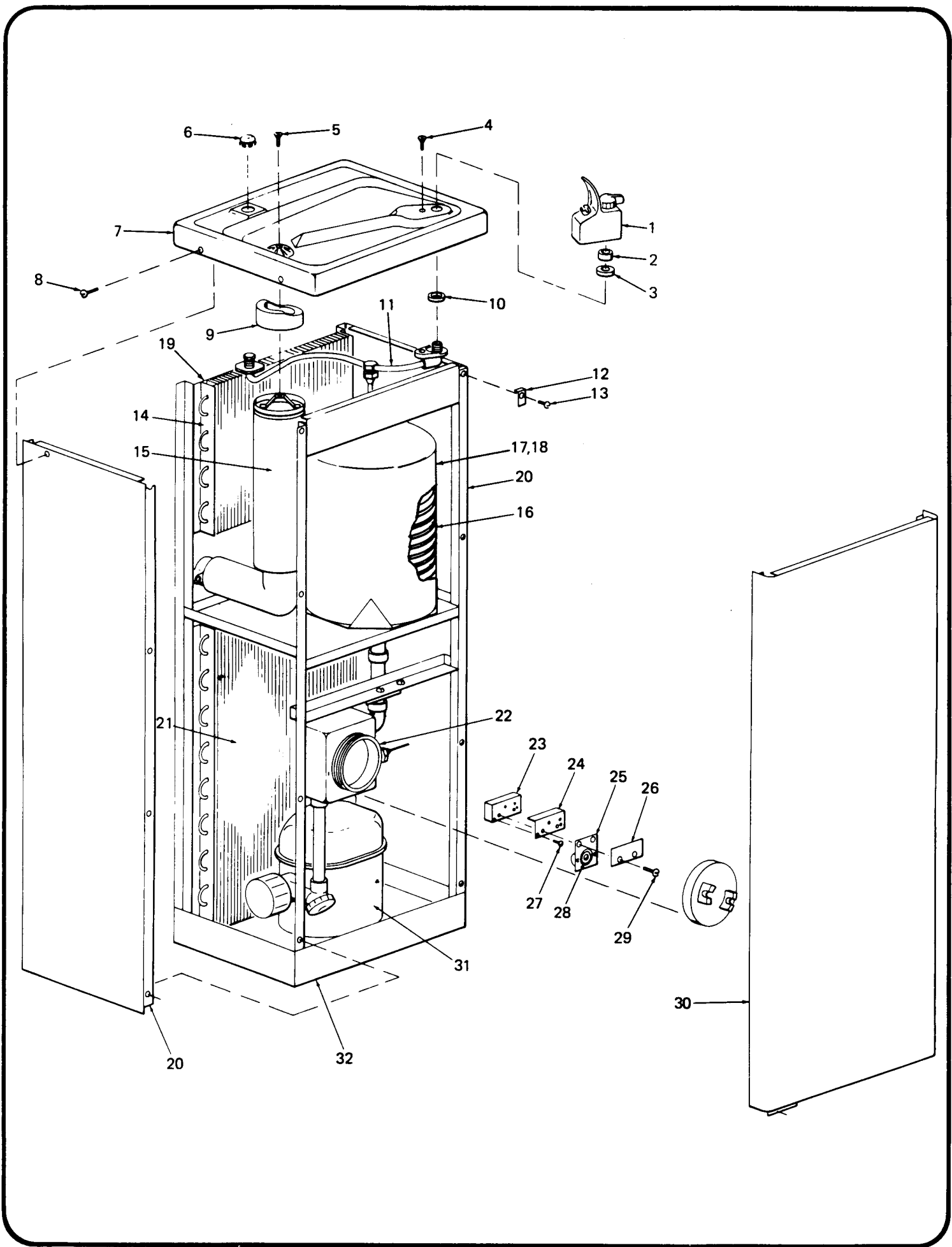
The electrical circuit is sealed in conduit and includes automatic overload protection and an adjustable cold control for water temperature regulation.

SPECIFICATIONS

Voltage	115 VAC ±10%/1PH/60 Hertz
Size	40" H., 17" W., 14" D.
Shipping Weight (Approx)	112 LBS.
Cold Water Capacity*	10 GPH
Compressor	1/5 HP
Refrigerant	R-12
Refrigerant Charge	6-5/8 OZ.

*A.R.I. Rating: Room Temperature 90°F, Supply Water Temperature 80°F, Drinking Water Temperature 50°F.

Specifications subject to change without notice.



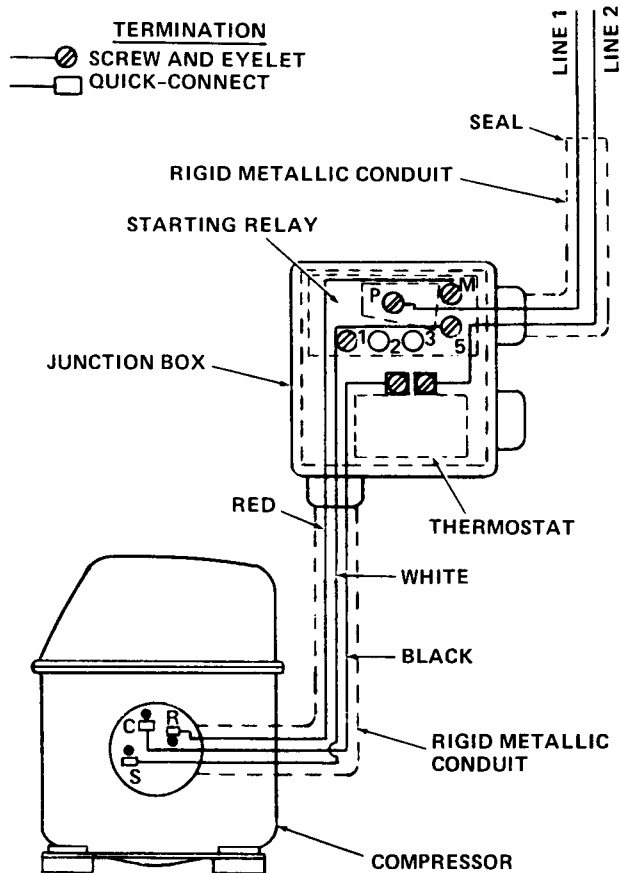
PARTS LIST

ITEM NO.	DESCRIPTION	DP10X	DP10X-SCP
1	Bubbler Valve Assembly	026551-002	026551-002
2	Bubbler Valve Gasket	008983	008983
3	Friction Washer	009281	009281
4	Bubbler Spud Screw	026680-005	026680-005
5	Drain Screw	026655-002	026655-002
6	Cover	017604-001	017604-001
7	Top	017930	017930
8	Top Screw	026630-005	026630-005
9	Waste Gasket	018050	018050
10	Gasket (Under Top)	010545	010545
11	Top Supply Line	018514	024304
12	Panel Clip	018544	018544
13	Screw	026650-006	026650-006
14	Upper Condenser Assembly	019063	019103
15	Precooler Assembly	025528-001	024306
16	Cooling Tank	019065	024307
17	Cooling Tank Insulation	018048	018048
18	Cooling Tank Insulation	018049	018049
19	Rear Panel – Painted	019049	---
	Rear Panel – Stainless Steel	019097	019097
20	Side Panel – Painted	019403-004	---
	Side Panel – Stainless Steel	019403-005	019403-005
21	Lower Condenser Assembly	019062	019102
22	Junction Box	013124	013124
23	Relay and Overload Assembly	019061	019061
24	Support Channel	019055	019055
25	Control Bracket	019058	019058
26	Clamping Plate	016976	016976
27	Screw	026650-001	026650-001
28	Cold Control	021409	021409
29	Screw	026660-012	026660-012
30	Front Panel – Painted	018385-001	---
	Front Panel – Stainless Steel	021968	021968
31	Compressor Assembly (Includes Item 23)	025516-001	025516-001
32	Base Assembly	017434	019091

SERVICE CHECK CHART

TROUBLE	PROBABLE CAUSE	REMEDY
Unit not running	No electrical power Defective cold control Defective relay	Check power source Check that cold control is not in off position Replace Replace
Unit running but not cooling	Refrigerant leak or low refrigerant	Add refrigerant
Unit running continuously	Defective cold control Low refrigerant	Replace Add refrigerant

ELECTRICAL DIAGRAM



EBCO® MANUFACTURING COMPANY

265 N. Hamilton Rd. • P.O. Box 13150 • Columbus, OH 43213-0150 • 614/861-1350 • Cable: EBCO • Telex: 246637