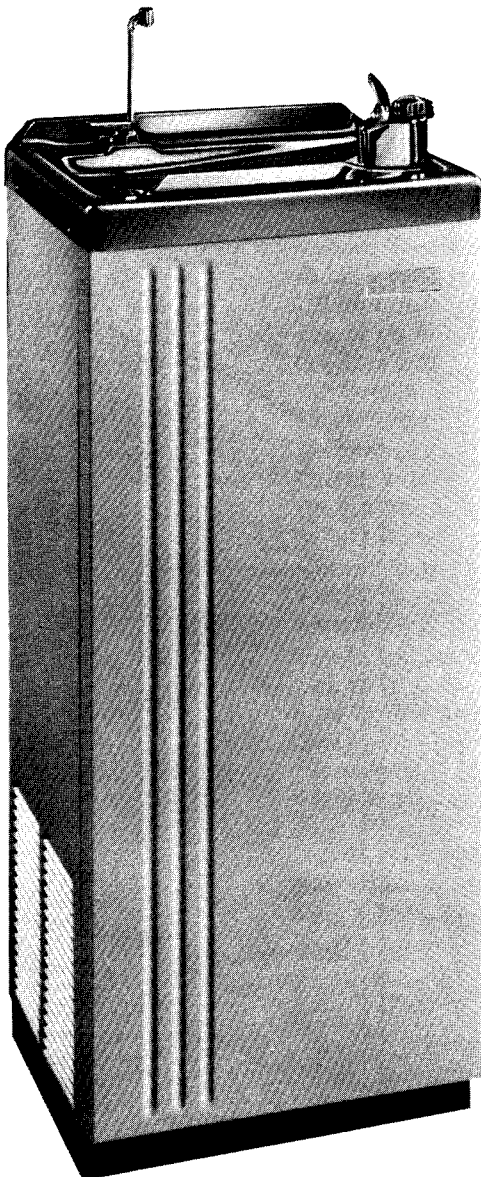


SERVICE INSTRUCTIONS

...with Illustrated Parts Breakdown

EBCO[®]

**WATER COOLER MODELS:
DP8A-2, DP8AH-2,
DP14A, WEFC08-001,
WEFH08-001, WEFC14**



DESCRIPTION

These units provide drinking water cooled to 50°F at 8 and 14 gallons per hour. Hot models provide 45 cups per hour of piping hot water. These against-a-wall units require connections to supply water, electrical power and waste drain.

The refrigeration system is hermetically sealed at manufacture and is generally considered to be non-field serviceable. The air-cooled compressor pumps refrigerant through the fan-cooled condenser and a capillary tube (expansion valve) to the cooling tank evaporator. The evaporator is wrapped around the cooling tank for high efficiency.

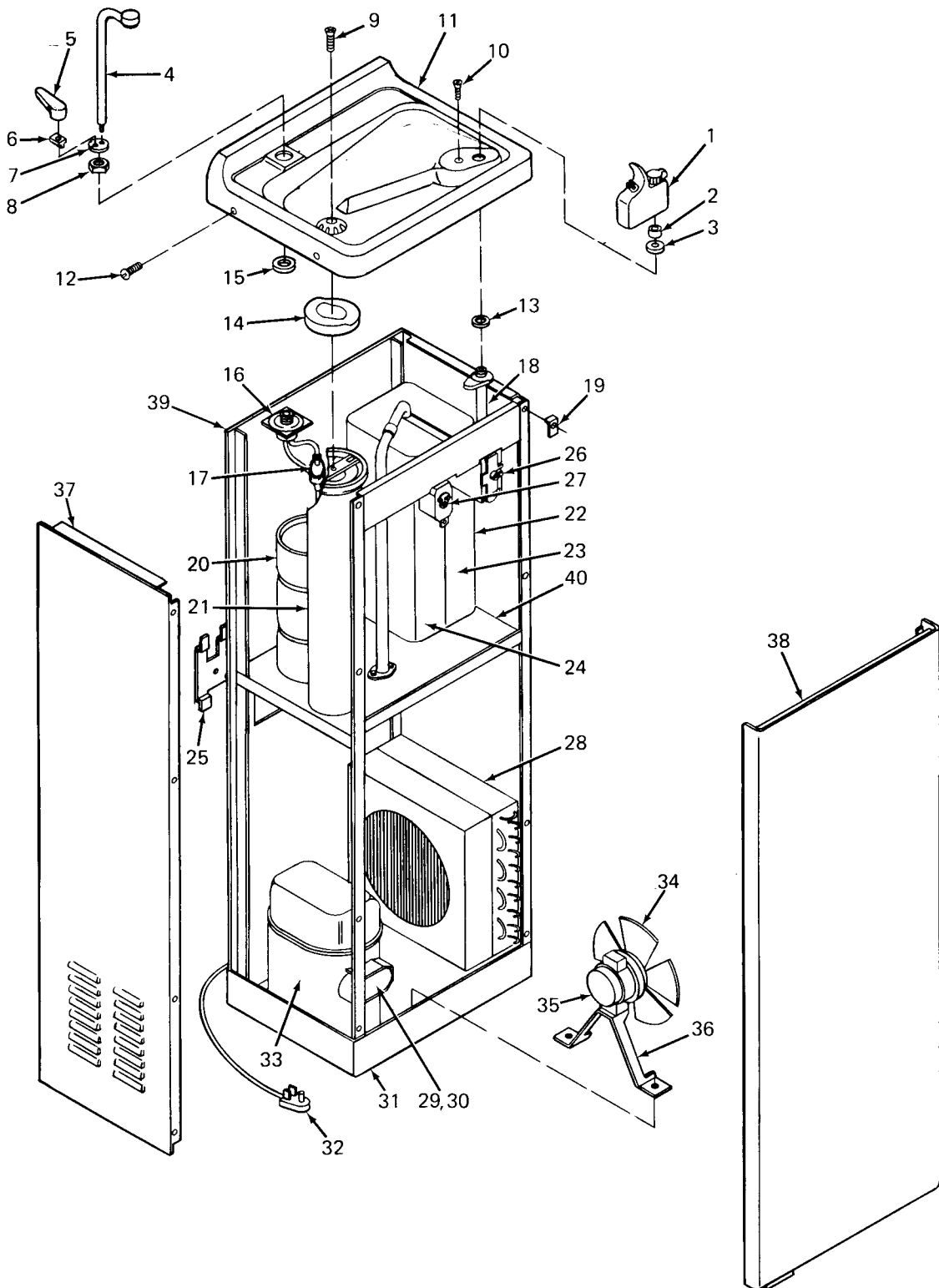
The hot tank is vented to atmospheric pressure through the two-way action of the hot faucet, eliminating the need for pressure/temperature devices and allowing outgassing of water additives.

The electrical circuit includes automatic overload protection, adjustable hot and cold controls for water temperature regulation.

SPECIFICATIONS

Voltage	115 VAC +10%/1PH/60 Hertz
Size	40" H., 12" W., 12" D.
Shipping Weight (Approx)	117 LBS.
Cold Water Capacity	8 and 14 GPH
Cold Water Compressor	1/5HP
Refrigerant	R-12
Refrigerant Charge	6.5 OZ.
Hot Water Capacity	45 Cups/HR.
Total AMPS DP8A-2 & DP14A	5.0
DP8AH-2	9.3

Specifications subject to change without notice.



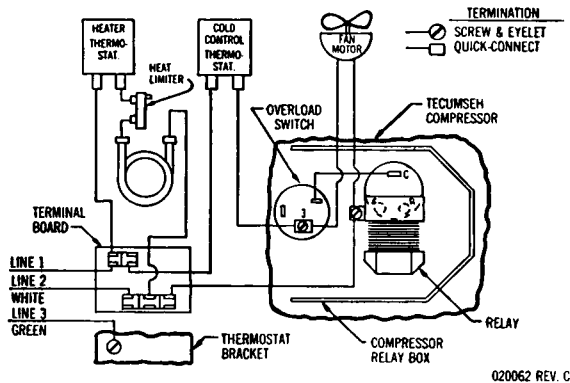
PARTS LIST

Item No.	Description	DP8A-2 WEFC08-001	DP8AH-2 WEFH08-001	DP14A WEFC14
1	Bubbler Valve	026551-002	026551-002	026551-002
2	Valve Body Gasket	008983	008983	008983
3	Friction Washer	009281	009281	009281
4	Gooseneck Assy	---	017590	---
5	Handle	---	017925	---
6	Tee Nut	---	017926	---
7	Cap.	---	017927	---
8	Nut	---	017583	---
9	Drain Screw	026655-002	026655-002	026655-002
10	Bubbler Spud Screw	026680-005	026680-005	026680-005
11	Top	017930-002	017930-002	017930-002
12	Top Screw	026630-005	026630-005	026630-005
13	Gasket (Under Top)	010545	010545	010545
14	Waste Gasket	018050	018050	018050
15	Hot Valve Gasket	---	017582	---
16	Hot Valve Body Assembly	---	026693	---
17	Check Valve	---	026274	---
18	Top Supply Line	027411-003	027411-003	027411-003
19	Retaining Clip	018544-001	018544-001	018544-001
20	Hot Tank	---	027207-001	---
21	Precooler or Waste Assembly	018406-001	018406-002	026067-001
22	Cooling Tank & Heat Exch Assy	026058-001	026058-001	026058-001
23	Cooling Tank Insulation (RH)	025114	025114	025114
24	Cooling Tank Insulation (LH)	025115	025115	025115
25	Utility Cover — Painted	018456	018456	018456
	Utility Cover — Stainless Steel	018480	018480	018480
26	Cold Control	027040-007	027040-007	027040-007
27	Hot Control	---	027813-001	---
28	Condenser	019743	019743	019743
29	Relay	017978	017978	017978
30	Overload	017977	017977	017977
31	Base Assy	018379-002	018379-002	018379-002
32	Service Cord	026540-005	026540-003	026540-005
33	Compressor.	027256-002	027256-002	027256-002
34	Fan Blade	022977	022977	022977
35	Fan Motor	027354-009	027354-009	027354-009
36	Fan Motor Bracket	017557	017557	017557
37	Side Panel — Painted	019403-001	019403-001	019403-001
	Side Panel — Stainless Steel	019403-002	019403-002	019403-002
	Side Panel — Beige (White Westinghouse)	019403-003	019403-003	019403-003
38	Front Panel — Painted	018385-001	018385-001	018385-001
	Front Panel — Stainless Steel	018385-003	018385-003	018385-003
	Front Panel — Light Beige (White Westinghouse)	018385-005	018385-005	018385-005
39	Rear Panel — Painted	018384	018384	018384
	Rear Panel — Stainless Steel	018479	018479	018479
40	Shelf Assembly	026110-001	026110-001	026110-001

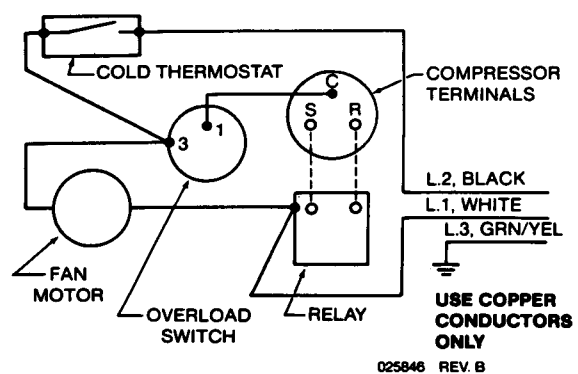
SERVICE CHECK CHART

TROUBLE	PROBABLE CAUSE	REMEDY
Unit not running	No electrical power Defective cold control Defective relay	Check power source Check that cold control is not in off position Replace Replace
Unit running but not cooling	Refrigerant leak or low refrigerant	Add refrigerant
Unit running continuously	Defective cold control Low refrigerant	Replace Add refrigerant

ELECTRICAL DIAGRAMS



DP8A-2, DP14A
WEFC08-001, WEFC14



DP8AH-2
WEFH08-001

EBCO® MANUFACTURING COMPANY

265 N. Hamilton Rd. • P.O. Box 13150 • Columbus, OH 43213 • 0150 • 614/861-1350 • Cable: EBCO • Fax: 614/861-5017