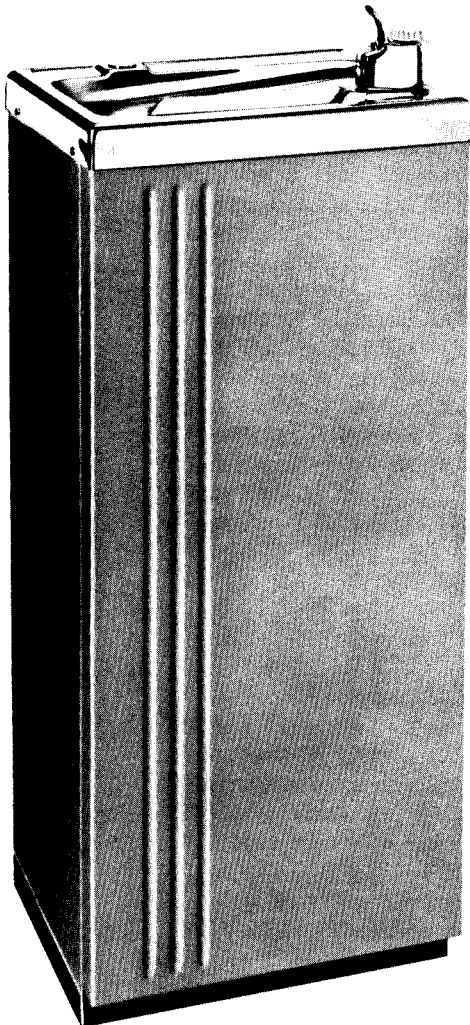


SERVICE INSTRUCTIONS

...with Illustrated Parts Breakdown

EBCO[®]

**WATER COOLER MODELS:
DP16W-1, DP16W-1-SCP,
WEFC16-WO1, WEFC16-WC1**



This model provides drinking water cooled to 50°F at 16 gallons per hour. The unit is free-standing and self-supporting and requires connections to supply water, electrical power and waste drain. The DP16W-1-SCP and WEFC16-WC1 are stainless steel and corrosion resistant.

The refrigeration system is hermetically sealed at manufacture and is generally considered to be non-field serviceable. The air-cooled compressor pumps refrigerant through the water-cooled condenser and a capillary tube (expansion valve) to the cooling tank evaporator. The evaporator is wrapped around the cooling tank for high efficiency. A pre-cooler routes supply water around cold drain water to cool incoming water.

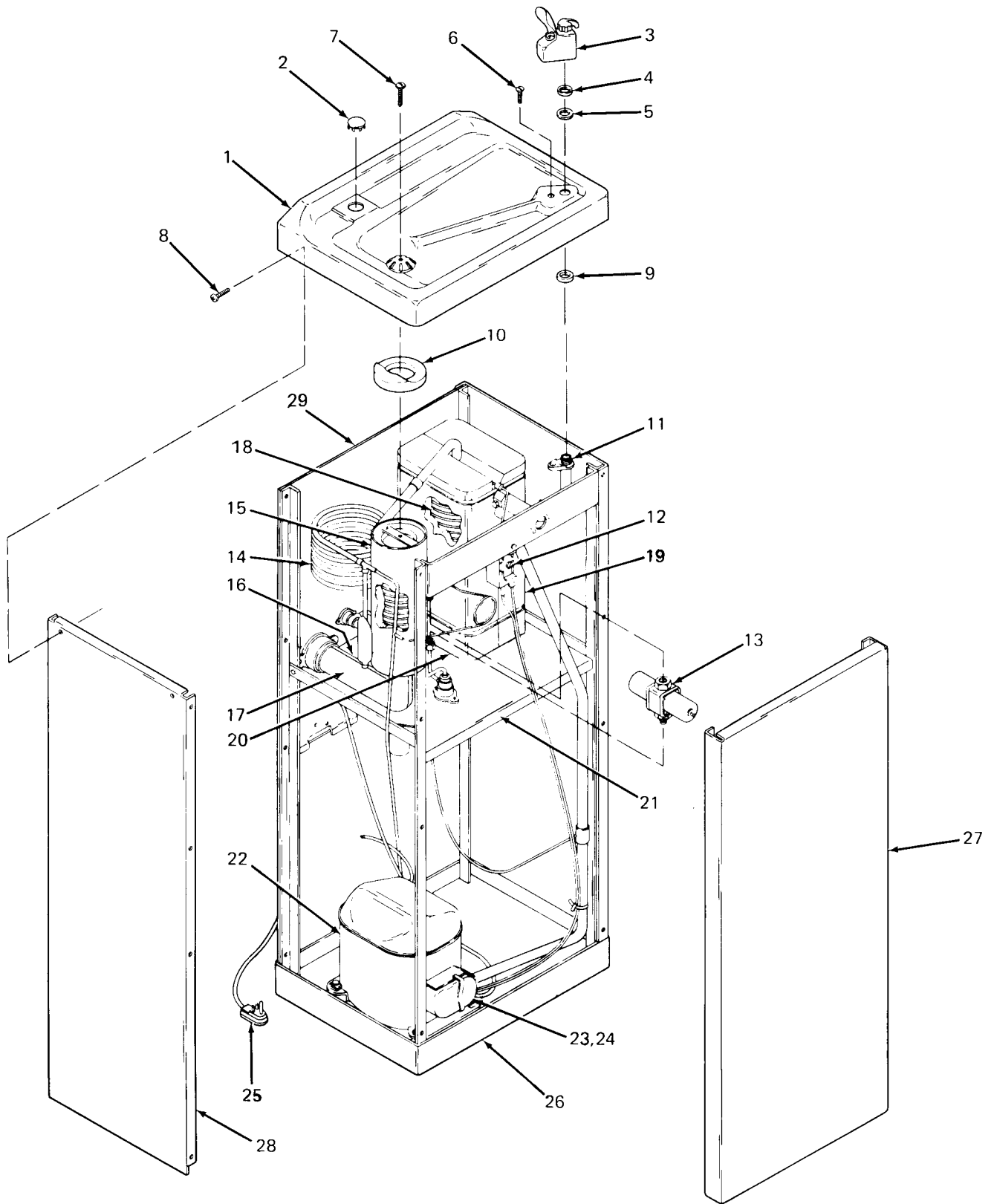
The electrical circuit includes automatic overload protection and an adjustable cold control for water temperature regulation.

SPECIFICATIONS

Voltage	115 VAC ±10%/1PH/60 Hertz
Size	40" H., 17" W., 14" D.
Shipping Weight (Approx)	112 LBS.
Cold Water Capacity	16 GPH
Compressor	1/5 HP
Compressor (Full Load)	4-1/2 Amps
Refrigerant	R-12
Refrigerant Charge	4-3/8 OZ.

*A.R.I. Rating: Room Temperature 90°F; Supply Water Temperature 80°F; Drinking Water Temperature 50°F.

Specifications subject to change without notice.



PARTS LIST

ITEM NO.	DESCRIPTION	DP16W-1 WEFC16-WO1	DP16W-1-SCP WEFC16-WC1
1	Top	017930	017930
2	Hole Cover	017604	017604
3	12000 Valve Assembly	026551-002	026551-002
4	Valve Body Gasket	008983	008983
5	Friction Washer	009281	009281
6	Bubbler Spud Screw	026680-005	026680-005
7	Drain Screw	026655-002	026655-002
8	Top Screw	026630-005	026630-005
9	Gasket (Under Top)	010545	010545
10	Waste Gasket	018050	018050
11	Top Supply Line	026087-003	*026087-003
12	Cold Control	027040-007	027040-007
13	Condenser Water Valve	026112	*026112
14	Condenser Assembly	027046	*027046
15	Precooler Assembly	018618-002	*018618-002
16	Precooler Insulation, RH	021483	021483
17	Precooler Insulation, LH	021484	021484
18	Cooling Tank Assembly	026058-003	*026058-003
19	Cooling Tank Insulation, RH	025114	025114
20	Cooling Tank Insulation, LH	025115	025115
21	Shelf	026110-003	026110-004
22	Compressor (Includes Items 23 and 24)	027256-002	*027256-002
23	Overload	017977	017977
24	Relay	017978	017978
25	Service Cord	026540-005	026540-005
26	Base Assembly	018379-002	027254-002
27	Front Panel – Tan	018624-001	---
	Front Panel – Stainless Steel	018870-001	018870-001
	**Front Panel – Light Beige, W/W	018624-003	---
28	Side Panel – Tan	019403-004	---
	Side Panel – Stainless Steel	019403-005	019403-005
	**Side Panel – Olive Beige, W/W	019403-006	---
29	Rear Panel – Tan	027132-001	---
	Rear Panel – Stainless Steel	027132-002	027132-002

OPTIONAL PARTS AND ACCESSORIES (Not Shown)

DESCRIPTION	DP16W-FPP
Frost Proof Package	019160
Heater Assembly	022792
Thermostat (High)	022793
Thermostat (Low)	022794
Precooler Insulation, RH	021483
Precooler Insulation, LH	021484

*Special Note: Specify if you want parts for SCP model coated with corrosion protection.

**W/W = White Westinghouse

