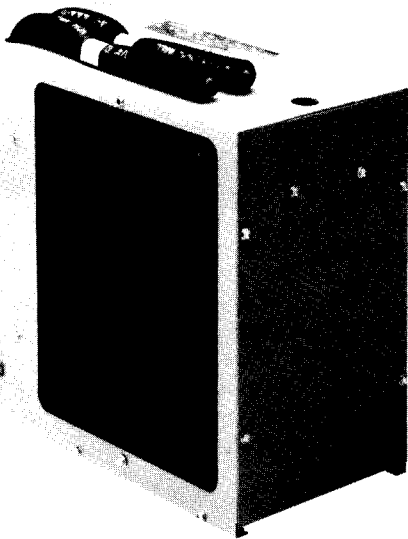


# SERVICE INSTRUCTIONS

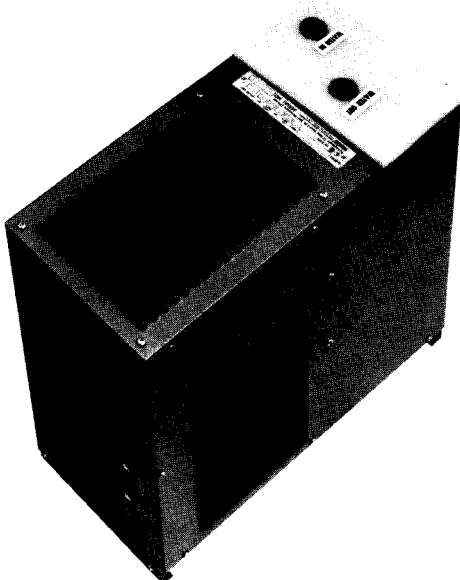
...with Illustrated  
Parts Breakdown

## EBCO<sup>®</sup>

### WATER COOLER MODELS: DP3P, DP5P-1, DP1P-D



DP1P-D



DP3P, DP5P-1

## DESCRIPTION

These models provide drinking water cooled to 50°F at 1, 3 and 5 gallons per hour. The unit mounts under a sink or cabinet and requires connections to supply water, electrical power, and waste delivery after cooling.

The refrigeration system is hermetically sealed at manufacture and is generally considered to be non-field-serviceable. The air-cooled compressor pumps refrigerant through the fan-cooled condenser and a capillary tube (expansion valve) to the cooling tank evaporator. The evaporator is wrapped around the cooling tank for high efficiency.

The electrical circuit includes automatic overload protection and an adjustable cold control for water temperature regulation.

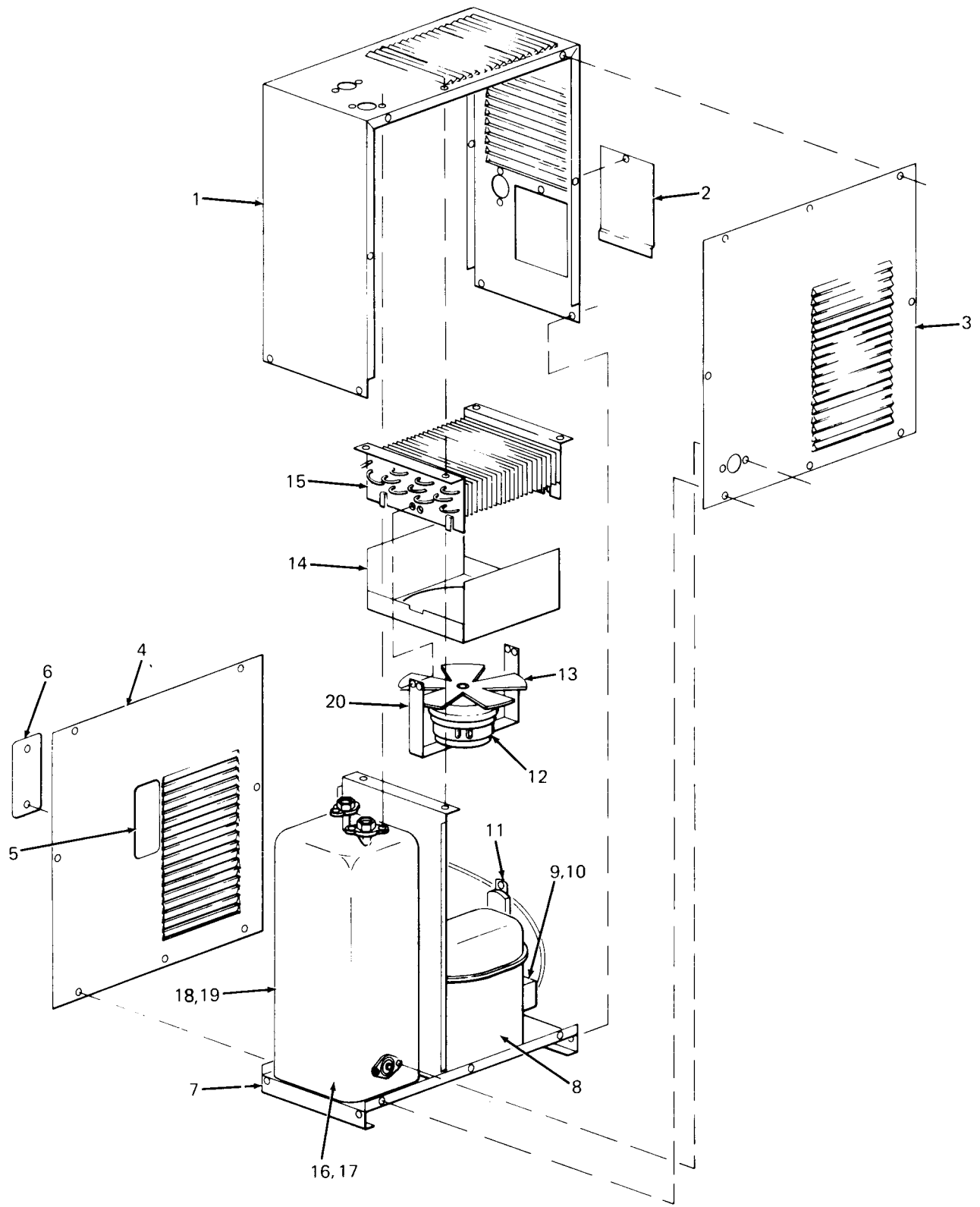
## SPECIFICATIONS

Voltage 115 VAC ±10%/1PH/60 Hertz  
Size (Approx) 16" H., 17" W., 9" D.  
Shipping Weight (Approx) 49 LBS.

	Models	DP1P-D	DP3P	DP5P-1
Cold Water Capacity (GPH)		1	3	5
Compressor (HP)		1/20	1/6	1/5
Compressor Amps (Full Load)		1.5	4.0	5.0
Refrigerant		R-12	R-12	R-12
Refrigerant Charge		1.5 OZ.	5.1 OZ.	4.0 OZ.

\*A.R.I. Rating: Room Temperature 90°F; Supply Water Temperature 80°F; Drinking Water Temperature 50°F.

Specifications subject to change without notice.



## PARTS LIST

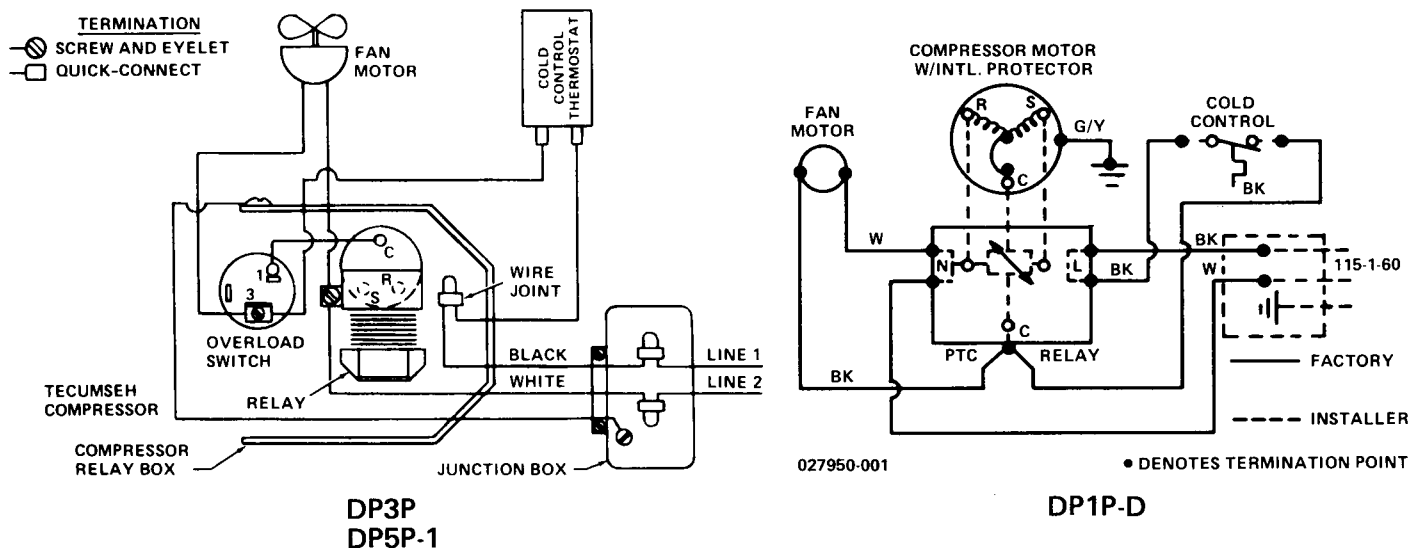
ITEM NO.	DESCRIPTION	** DP1P-D (Not Illustrated)	DP3P	DP5P-1
1	Cabinet Wrapper .....	---	020249	020249
2	Access Door .....	---	020262	020262
	Access Panel .....	027983-001	---	---
3	Front Panel .....	---	020246	020246
	Front & Top Panel Assembly .....	027996-001	---	---
4	Rear Panel .....	---	020304	020304
	Rear & Left Side Panel Assembly .....	027982-001	---	---
5	Utility Box .....	020305-002	020305-002	020305-002
6	Utility Box Cover .....	---	020306	020306
	Junction Box Cover .....	028004-001	---	---
7	Base Assembly .....	027986-001	020250	020250
8	Compressor Assembly (Includes Items 9 and 10) .....	---	017287	027256-002
	Compressor Assembly (Includes Item 9) .....	026868-001	---	---
9	Starting Relay .....	026867	017289	017978
10	Overload .....	---	017290	017977
11	Cold Control .....	027040-007	027040-007	027040-007
12	Fan Motor .....	017079	027354-008	027354-008
13	Fan Blade .....	026857	020243	020243
14	Fan Shroud .....	---	020248	020248
15	Condenser .....	027976-001	020247	020247
16	Cooling Tank Assembly .....	028019-001	020263	020263
17	Heat Exchanger Assembly (Needed With Cooling Tank) .....	---	020261	020288
	Heat Exchanger Assembly .....	028053-001	---	---
18	Cooling Tank Insulation, LH .....	027975-001	020318	020318
19	Cooling Tank Insulation, RH .....	027974-001	020317	020317
20	Fan Motor Bracket .....	017443	020242	020242

\*\* Illustration on page 2 does not apply.

## SERVICE CHECK CHART

TROUBLE	PROBABLE CAUSE	REMEDY
Unit not running	No electrical power  Defective cold control Defective relay	Check power source Check that cold control is not in off position Replace Replace
Unit running but not cooling	Refrigerant leak or low refrigerant	Add refrigerant
Unit running continuously	Defective cold control Low refrigerant	Replace Add refrigerant

### ELECTRICAL DIAGRAM



**EBCO**® MANUFACTURING COMPANY

265 N. Hamilton Rd. • P.O. Box 13150 • Columbus, OH 43213-0150 • 614/861-1350 • Cable: EBCO • Telex: 246637