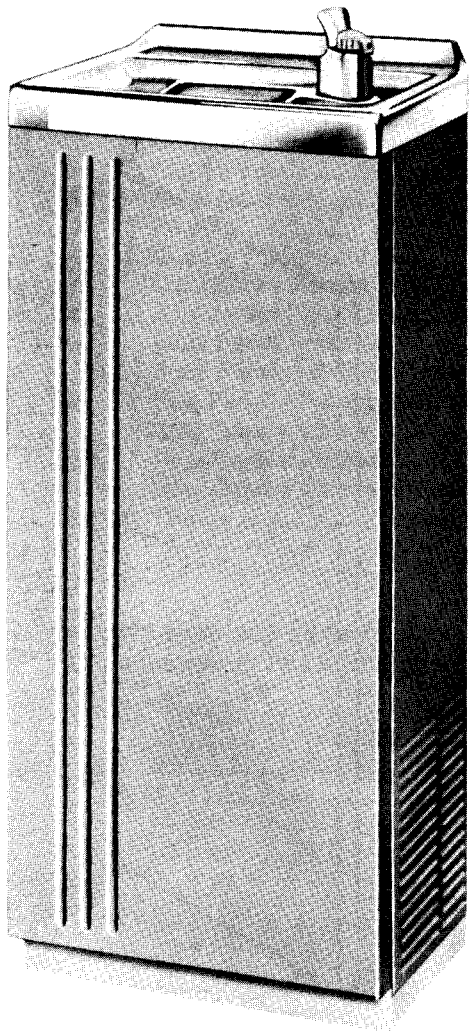


SERVICE INSTRUCTIONS

...with Illustrated Parts Breakdown

EBCO[®] **WATER COOLER MODELS:**
DP20-2, DP20-2-SCP,
DP20-D-50/60



DESCRIPTION

These models provide drinking water cooled to 50°F at 20 gallons per hour. The unit is free-standing and self-supporting and requires connections to supply water, electrical power, and waste drain.

The refrigeration system is hermetically sealed at manufacture and is generally considered to be non-field-serviceable. The air-cooled compressor pumps refrigerant through the fan-cooled condenser and a capillary tube (expansion valve) to the cooling tank evaporator. The evaporator is wrapped around the cooling tank for high efficiency. A pre-cooler routes supply water around cold drain water to cool incoming water.

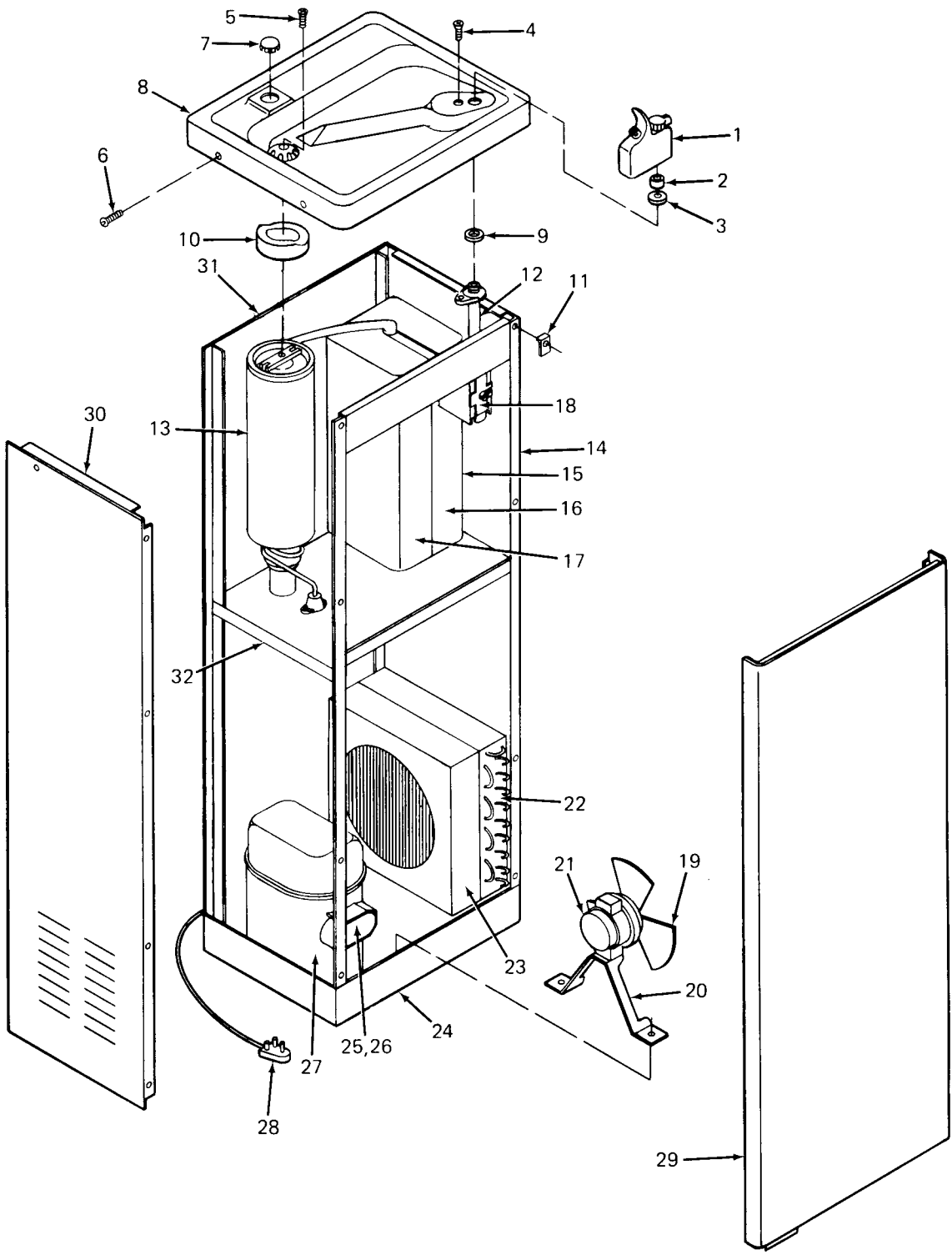
The electrical circuit includes automatic overload protection, and an adjustable cold control for water temperature regulation.

SPECIFICATIONS

Voltage	
DP20-D-50/60	220-240 VAC ±10%/1PH/50/60 Hertz
DP20-2, DP20-2-SCP	115 VAC ±10%/1PH/60 Hertz
Size	40" H., 17" W., 14" D.
Shipping Weight (Approx)	102 LBS.
Cold Water Capacity*	20 GPH
Compressor (115 & 230 Volt)	1/3 HP
Compressor (Full Load)	
115 Volt	7.5 Amps
230 Volt	3.0 Amps
Refrigerant	
115 Volt	R-500
230 Volt	R-12
Refrigerant Charge	
115 Volt	5-3/4 OZ.
230 Volt	9.5 OZ.

*A.R.I. Rating: Room Temperature 90°F; Supply Water Temperature 80°F; Drinking Water Temperature 50°F.

Specifications subject to change without notice.



PARTS LIST

ITEM NO.	DESCRIPTION	DP20-2	DP20-2-SCP
1	Bubbler Valve	026551-002	026551-002
2	Valve Body Gasket	008983	008983
3	Friction Washer	009281	009281
4	Valve Spud Screw	026680-005	026680-005
5	Drain Screw	026655-002	026655-002
6	Top Screw	026630-005	026630-005
7	Hole Cover	017604-001	017604-001
8	Top	017930-002	017930-002
9	Gasket (Under Top)	010545	010545
10	Waste Gasket	018050	018050
11	Retaining Clip	018544-001	018544-001
12	Top Supply Line	027411-003	027411-004
13	Precooler Assembly	026067-001	026067 SCP
14	Support Angle (4)	017404	017404
15	Insulated Cooling Tank Assembly	026411-001	026411-003
16	Cooling Tank Insulation, RH	025114	025114
17	Cooling Tank Insulation, LH	025115	025115
18*	Cold Control	027040-007	027040-007
19	Fan Blade	022977	022977
20	Fan Motor Bracket	017557	017557
21*	Fan Motor Assembly	027354-009	027354-009
22	Condenser	026414	026414 SCP
23	Fan Shroud	026416	026416
24	Base Assembly	018379-002	027254-002
25*	Relay	019434	019434
26	Overload	019603	019603
27*	Compressor Assembly	027495-005	027495-005
28	Service Cord	026540-005	026540-005
29	Front Panel – Painted	018385-001	---
	Front Panel – Stainless Steel	018385-003	018385-003
30	Side Panel – Painted (2 Required)	019403-001	---
	Side Panel – Stainless Steel (2 Required)	019403-002	019403-002
31	Rear Panel – Painted	018384	---
	Rear Panel – Stainless Steel	018479	018479
32	Shelf	026110-001	026110-002

*DP20-D-50/60-SCP all Part Numbers the same as above except:

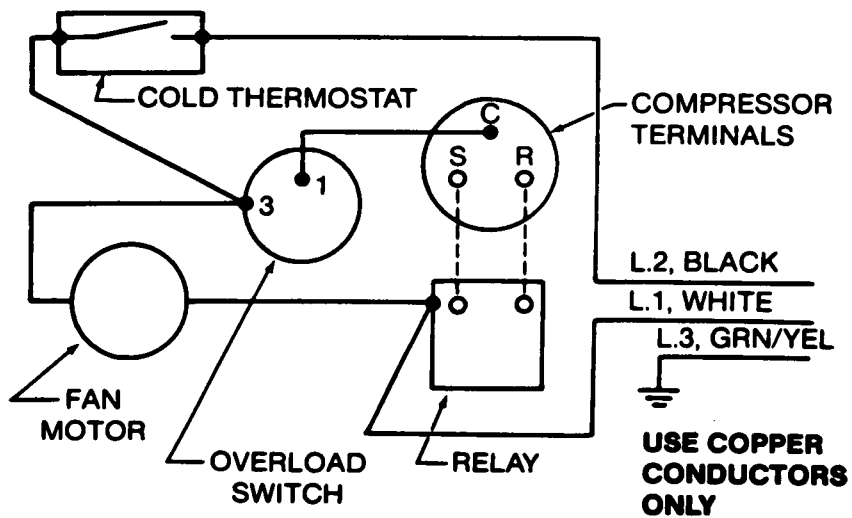
*DP20-D-50/60 all Part Numbers the same as above except:

18	027040-005
21	027354-018
25	026632
27	026631

SERVICE CHECK CHART

TROUBLE	PROBABLE CAUSE	REMEDY
Unit not running	No electrical power Defective cold control Defective relay	Check power source Check that cold control is not in off position Replace Replace
Unit running but not cooling	Refrigerant leak or low refrigerant	Add refrigerant
Unit running continuously	Defective cold control Low refrigerant	Replace Add refrigerant

ELECTRICAL DIAGRAM



025846 REV. B

EBCO® **MANUFACTURING COMPANY**

265 N. Hamilton Rd. • P.O. Box 13150 • Columbus, OH 43213-0150 • 614/861-1350 • Cable: EBCO • Telex: 246637