

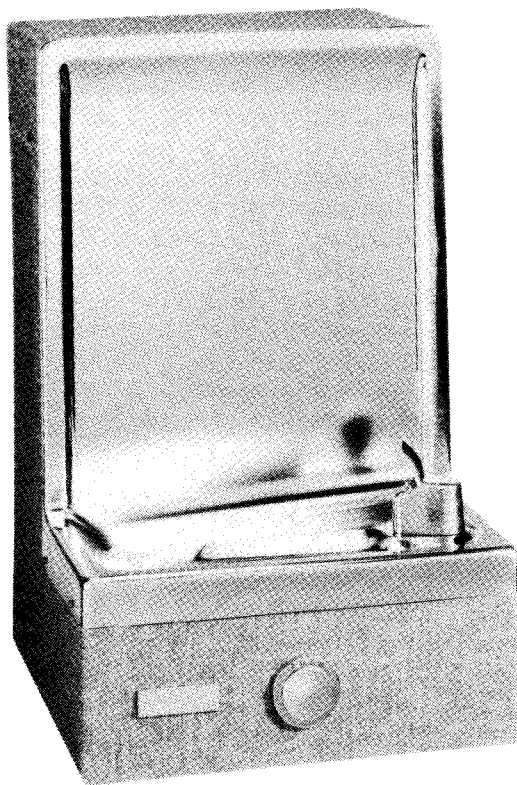
SERVICE INSTRUCTIONS

...with Illustrated Parts Breakdown

WATER COOLER MODELS:

EBCO®

DP8WM, DP8WM-001, DP8WM-P,
DP8WM-P-001, DP8WM-PE, DP8WM-PE-001,
DP8WM-TPB, DP8WM-TPB-001

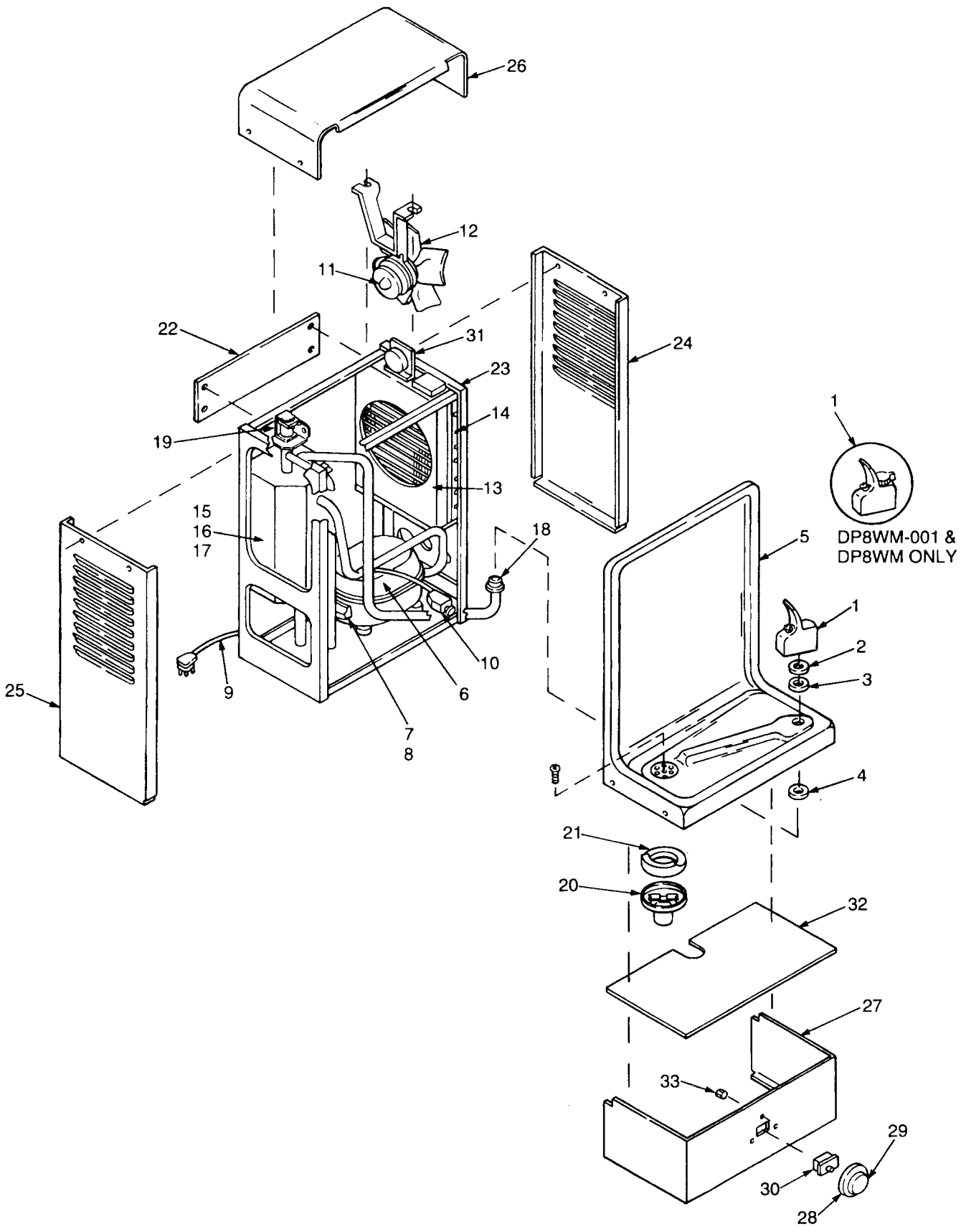


SPECIFICATIONS

Voltage	115 VAC \pm 10%/1PH/60 Hertz
Size (Approx)	28" H., 17-1/2" W., 18-1/2" D.
Shipping Weight (Approx)	60 LBS.
Cold Water Capacity (GPH) *	8
Compressor (HP)	1/5
Compressor (Amps) (Full Load)	6
Refrigerant	R-12
Refrigerant Charge	5.0 OZ.

* A.R.I. Rating: Room Temperature 90°F; Supply Water
Temperature 80°F; Drinking Water Temperature 50°F.
Based on standard test procedures.

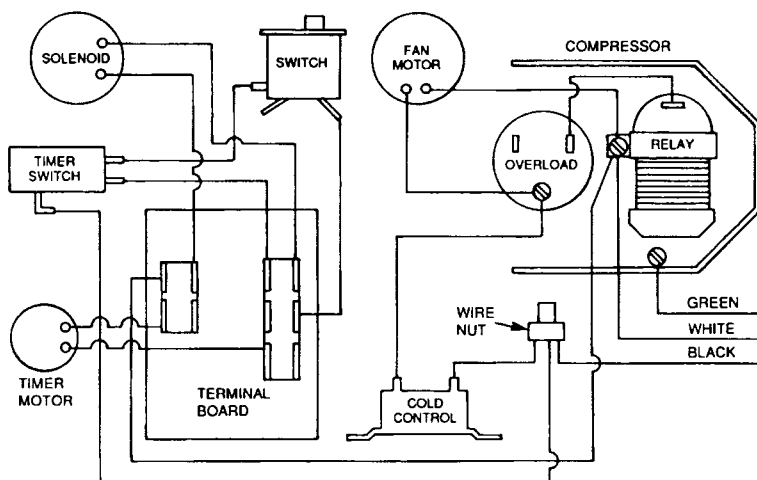
Specifications subject to change without notice.



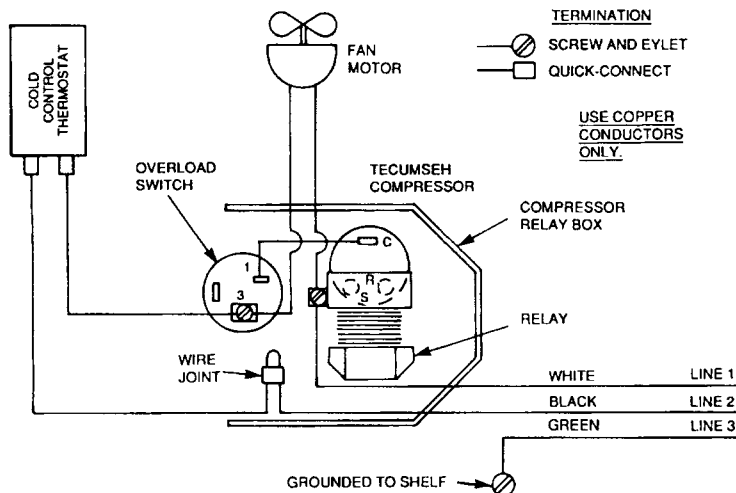
PARTS LIST

ITEM NO.	DESCRIPTION	DP8WM DP8WM-001	MODEL
			DP8WM-P DP8WM-PE DP8WM-TPB DP8WM-P-001 DP8WM-PE-001 DP8WM-TPB-001
1	12000A Bubbler Valve (For DP8WM-001 Series)	030774-002	030774-004
	12000 Bubbler Valve (For DP8WM Series).....	026551-002	026551-006
2	Valve Body Gasket.....	008983	008983
3	Friction Washer	009281	009281
4	Bubbler Spud Gasket	028706-001	028706-001
5	Simulated Recessed Top-Stainless Steel	028849-001	028849-001
6	Compressor Assembly (includes Items 7 and 8)	027256-003	027256-003
7	Relay	017978	017978
8	Overload.....	016942-005	016942-005
9	Service Cord.....	026540-004	026540-004
10	Cold Control.....	027040-007	027040-007
11	Fan Motor	027354-009	027354-009
12	Fan Blade	022977	022977
13	Shroud.....	029125-001	029125-001
14	Condenser.....	029111-001	029111-001
15	Insulated Cooling Tank Assembly	029107-001	029108-001
16	Cooling Tank Insulation LH	028661-001	028661-001
17	Cooling Tank Insulation RH.....	028660-001	028660-001
18	Bubbler Supply Spud.....	028701-002	028701-002
19	Solenoid Valve.....	_____	029819-002
20	Waste Assembly.....	023046	023046
21	Waste Gasket.....	018050	018050
22	Hanger Bracket and Barrier Assembly	025662-003	025662-003
23	Frame Assembly.....	022967	022967
24	Right Side Panel-Sandstone	022979-002	022979-002
	Right Side Panel-Stainless Steel.....	023036	023036
	Right Side Panel-Painted	023038	023038
25	Left Side Panel-Sandstone.....	022980-002	022980-002
	Left Side Panel-Stainless Steel	023035	023035
	Left Side Panel-Painted.....	023037	023037
26	Cap-Sandstone.....	022976-008	022976-008
	Cap-Stainless Steel	022976-006	022976-006
	Cap-Painted.....	022976-005	022976-005
27	Wrapper-Sandstone	022975-036	022975-037
	Wrapper-Stainless Steel.....	022975-006	022975-013
	Wrapper-Painted	022975-005	022975-012
	Wrapper-SAN TPB, only.....	_____	022975-040
	Wrapper-STN TPB, only.....	_____	022975-034
	Wrapper-Painted TPB, only	_____	022975-033
28	Bezel.....	_____	024816
29	Push Button	_____	024817
30	Switch.....	_____	024764
31	Timer Assembly (-P and -TPB models only)	_____	024937
32	Support Plate.....	023391	023391
33	Nut Self Threading Hex	_____	020203

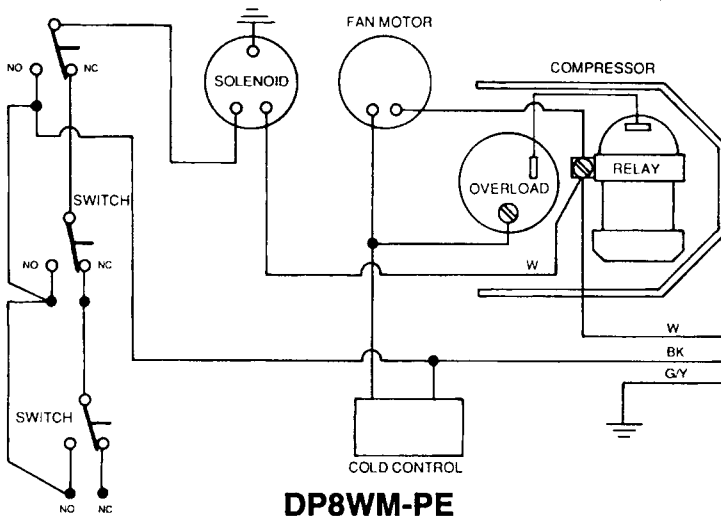
ELECTRICAL DIAGRAMS



**DP8WM-P
DP8WM-TPB**



DP8WM



DP8WM-PE

EBCO[®] MANUFACTURING COMPANY

265 N. Hamilton Rd. • P.O. Box 13150 • Columbus, OH 43213-0150 • 614/861-1350 • Fax: 614/861-5017