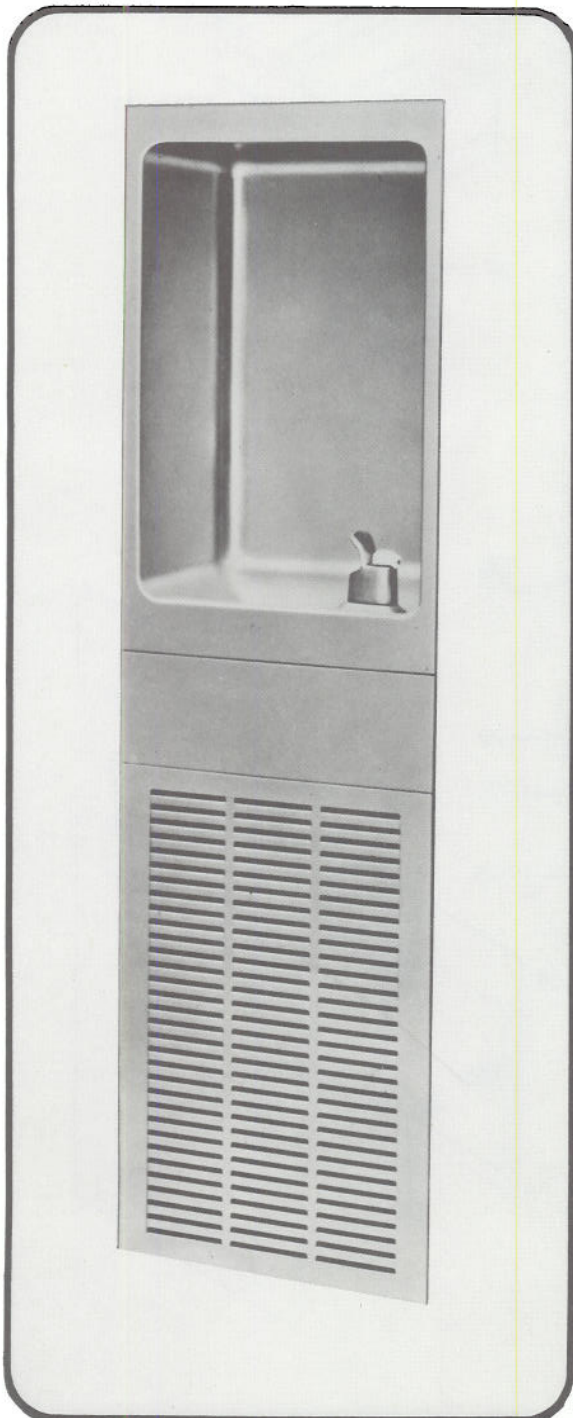


SERVICE INSTRUCTIONS

...with Illustrated Parts Breakdown

EBCO®

**WATER COOLER MODELS:
EP8F, EP12F, EPF,
EP8F-50, EP12F-50**



DESCRIPTION

These models provide drinking water cooled to 50° F at 8 and 12 gallons per hour. Model EPF is non-refrigerated. The unit mounts fully recessed into a wall and requires connections to supply water, electrical power and waste drain.

The refrigeration system is hermetically sealed at manufacture and is generally considered to be non-field serviceable. The air-cooled compressor pumps refrigerant through the fan-cooled condenser and a capillary tube (expansion valve) to the cooling tank evaporator. The evaporator is wrapped around the cooling tank for high efficiency.

The electrical circuit includes automatic overload protection, and an adjustable cold control for water temperature regulation.

SPECIFICATIONS EP8F, EP12F

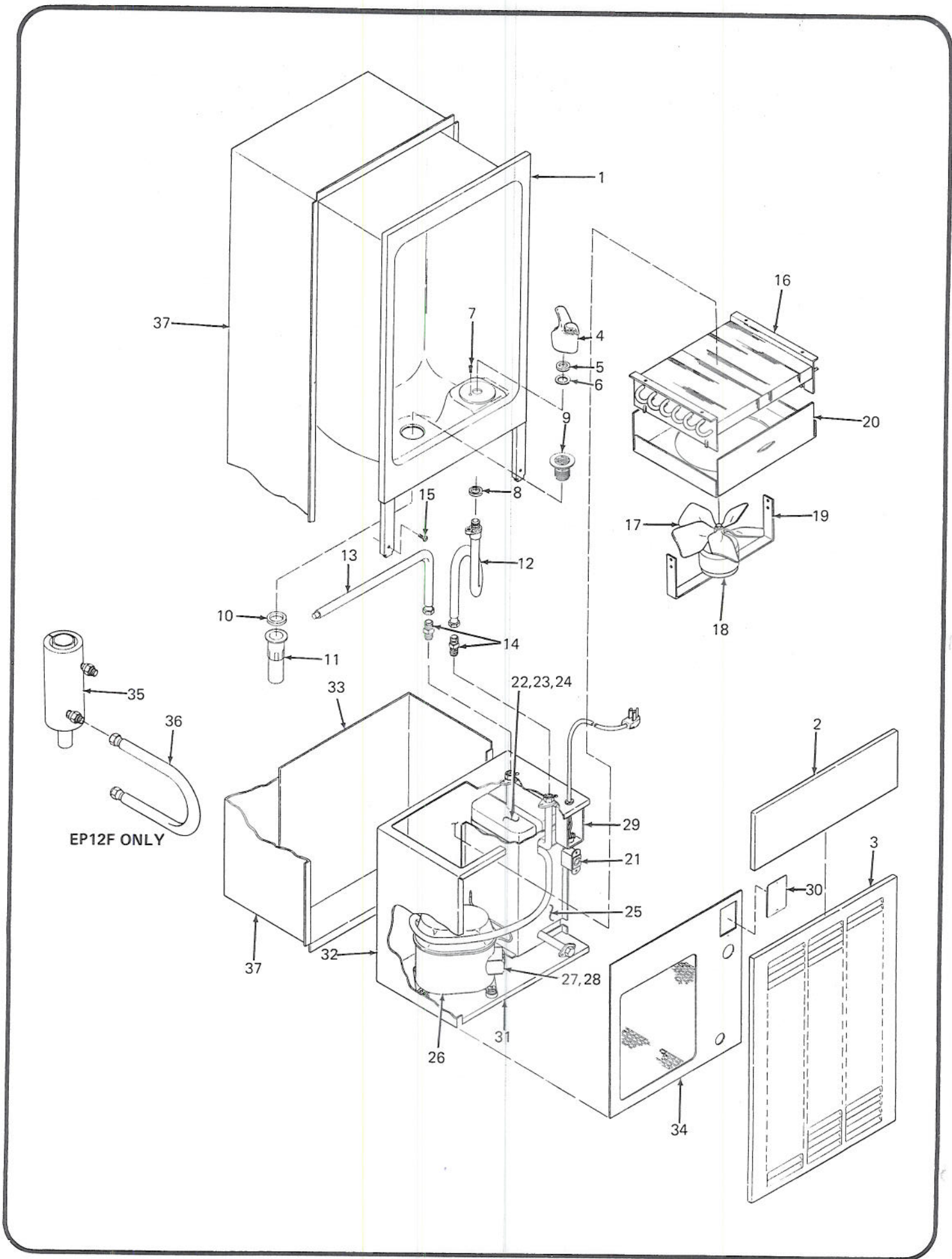
Voltage	115 VAC \pm 10%/1PH/60 Hertz
Size	60" H., 18" W., 11" D.
Shipping Weight (Approx)	144 LBS.
Cold Water Capacity*	8 and 12 GPH
Cold Water Compressor	1/5 HP
Cold Water Compressor FLA	5.0 Amps
Refrigerant	R-12
Refrigerant Charge	6-1/2 OZ.

SPECIFICATIONS EP8F-50, EP12F-50

Voltage	230 VAC 10%/1PH/50 Hertz
Size	60" H., 18" W., 11" D.
Shipping Weight (Approx)	144 LBS.
Cold Water Capacity*	8 and 12 GPH
Cold Water Compressor	1/5 HP
Cold Water Compressor FLA	3.0 Amps
Refrigerant	R-12
Refrigerant Charge	6-1/2 OZ.

*A.R.I. Rating: Room Temperature 90° F; Supply Water Temperature 80° F; Drinking Water Temperature 50° F.

Specifications subject to change without notice.



PARTS LIST

ITEM NO.	DESCRIPTION	EP8F	EP12F	EP8F-50	EP12F-50	EPF
1	Top Assembly	024193	024193	024193	024193	024193
	Top Assembly – Bronze	024432	024432	024432	024432	024432
2	Cover, Plumbing	024202	024202	024202	024202	024202
3	Grille	024793	024793	024793	024793	024793
	Grille – Bronze	024444	024444	024444	024444	024444
4	Valve	023546	023546	023546	023546	023546
	Valve – Bronze	022607	022607	022607	022607	022607
5	Gasket	008983	008983	008983	008983	008983
6	Washer, Friction	009281	009281	009281	009281	009281
7	Screw, Valve Spud	017335	017335	017335	017335	017335
8	Gasket (Under Top)	010545	010545	010545	010545	010545
9	Strainer	024711	024711	024711	024711	024434
	Strainer – Bronze	024435	025853	024435	025853	024435
10	Gasket, Waste	011416	011416	011416	011416	011416
11	Tailpiece, Waste	025862	---	025862	---	019915
12	Tube, Cooler to Valve	024409	024409	024409	024409	024409
13	Tube, Water Supply	024425	024425	024425	024425	---
14	Fitting, Male Flare	007317	007317	007317	007317	---
15	Screw	018859	018859	018859	018859	018859
16	Condenser	025757	025757	025757	025757	---
17	Blade, Fan	024033	024033	024033	024033	---
18	Motor, Fan	016490	016490	024868	024868	---
19	Bracket, Fan Motor	017530	017530	017530	017530	---
20	Shroud, Fan	017821	017821	017821	017821	---
21	Control, Cold	020319	020319	025866	025866	---
22	Insulation, Cooling Tank, RH	025114	025114	025114	025114	---
23	Insulation, Cooling Tank, LH	025115	025115	025115	025115	---
24	Cooling Tank and Heat Exchanger	025624	025624	025624	025624	---
25	Fire Barrier	025620	025620	025620	025620	---
26	Compressor Assembly (Includes items 27 and 28)	017980	017980	022315	022315	---
27	Overload	017977	017977	022314	022314	---
28	Relay	017978	017978	017289	017289	---
29	Utility Box	025639	025639	025639	025639	---
30	Cover, Utility Box	023877	023877	023877	023877	---
31	Base	025614	025614	025614	025614	---
32	Panel, Top and Side	025615	025615	025615	025615	---
33	Panel, Rear and Side	025616	025616	025616	025616	---
34	Front Panel Assembly	025619	025619	025619	025619	---
35	Precooler	---	025858	---	025858	---
36	Tube Assembly, Cooler to Precooler	---	019919	---	019919	---
37	Box, Fully Recessed Wall	024272	024272	024272	024272	024272
NOT SHOWN	Shield	025734	025734	025734	025734	---