



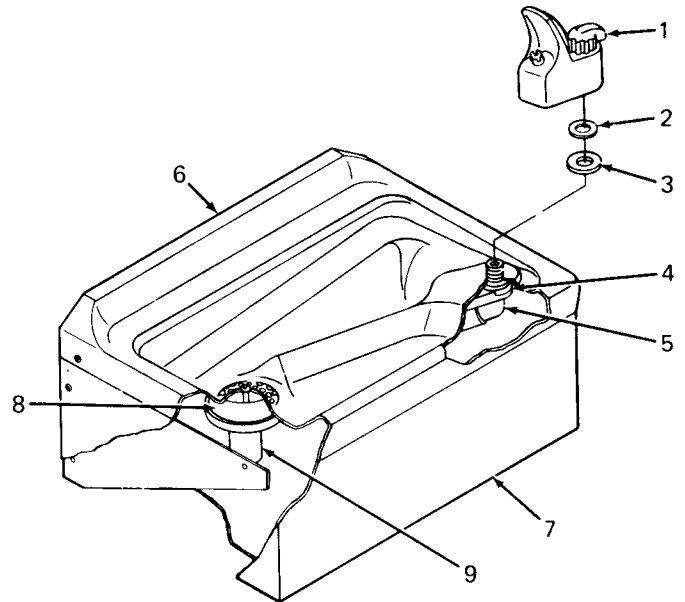
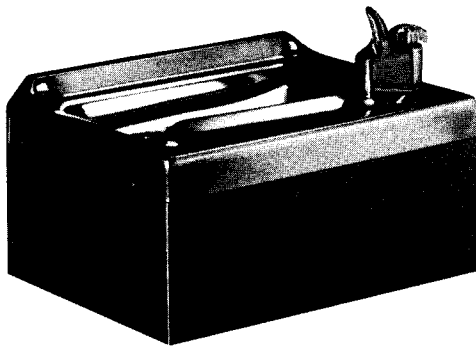
AQUARIUS

Kelvinator

White-Westinghouse®

ILLUSTRATED PARTS BREAKDOWN

**ON-A-WALL DRINKING FOUNTAIN MODELS:
DF-100-001 FLF100 FLF100-001**



PARTS LIST

ITEM NO.	DESCRIPTION	
1	12000 Valve	026551-002
	12000A Valve (FLF-001 Series)	030774-002
2	Valve Body Gasket	008983
3	Friction Gasket	009281
4	Bubbler Spud Gasket	028706-001
5	Supply Tube Assembly	029953-001
6	Top	028846-003
7	Wrapper	024177-001
8	Waste Gasket	018050
9	Waste Assembly	023046

NOT SHOWN

MISCELLANEOUS PARTS FOR PUSH BUTTON MODELS:

12000 Valve, CF	026551-006
12000A Valve, CF (FLF-001 Series)	030774-004
Switch	024764
Bezel	024816
Push Button	024817
Solenoid Valve	029819-002
Bezel Retainer (Hex Nut)	020203

OASIS® & AQUARIUS® are registered trademarks of EBCO Manufacturing Company
The trademarks Kelvinator® and White-Westinghouse® are used under license from White Consolidated Industries, Inc.

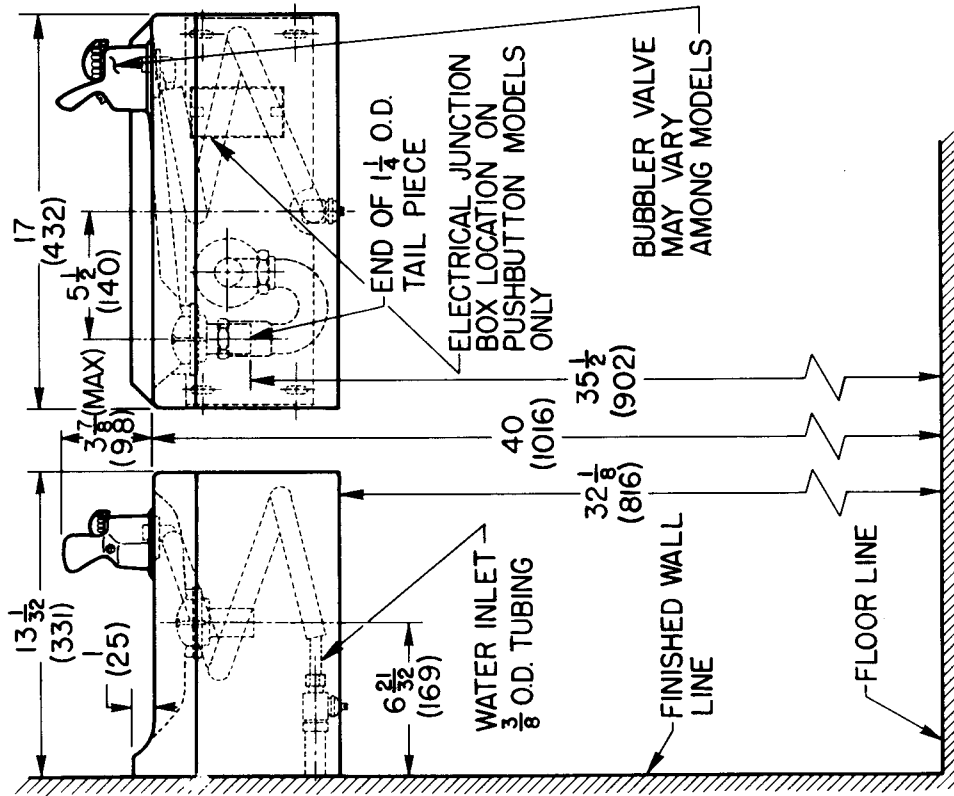
EBCO®
MANUFACTURING COMPANY

265 N. Hamilton Rd. • P.O. Box 13150 • Columbus, OH 43213-0150 • 614/861-1350 • Fax: 614/861-5017

FORM NO. 6022
7/93

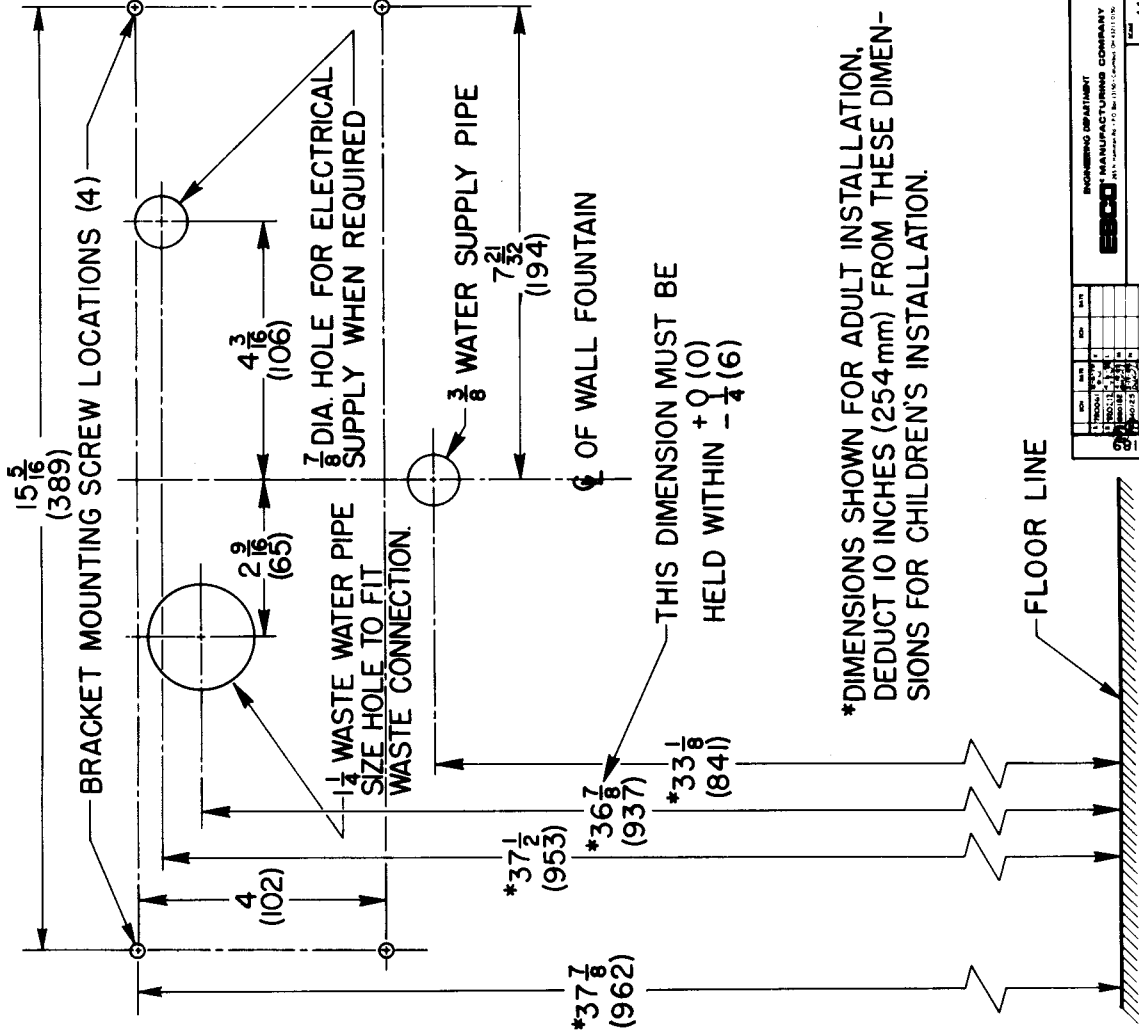
Copyright 1993 EBCO Manufacturing Co.

DIMENSIONAL DRAWING



NOTES:
 TRAP AND FIXTURE STOP VALVE NOT FURNISHED WITH DRINKING FOUNTAIN.
 ALL DIMENSIONS ARE IN INCHES.
 DIMENSIONS IN PARENTHESES () ARE IN MILLIMETERS.

ROUGHING-IN DRAWING



THIS DIMENSION MUST BE HELD WITHIN $+0 (0)$ $-1/4 (6)$

*DIMENSIONS SHOWN FOR ADULT INSTALLATION. DEDUCT 10 INCHES (254mm) FROM THESE DIMENSIONS FOR CHILDREN'S INSTALLATION.

FLOOR LINE

REVISIONS		DATE		BY		CHECKED	
NO.	DESCRIPTION	DATE	BY	DATE	BY	DATE	BY
1	ISSUED FOR CONSTRUCTION	10/15/78	J. J. ...				

ENGINEERING DEPARTMENT
 CECO MANUFACTURING COMPANY
 R/1 & DIM DWG DF-100 SERIES
 ECH 78022E
 024189