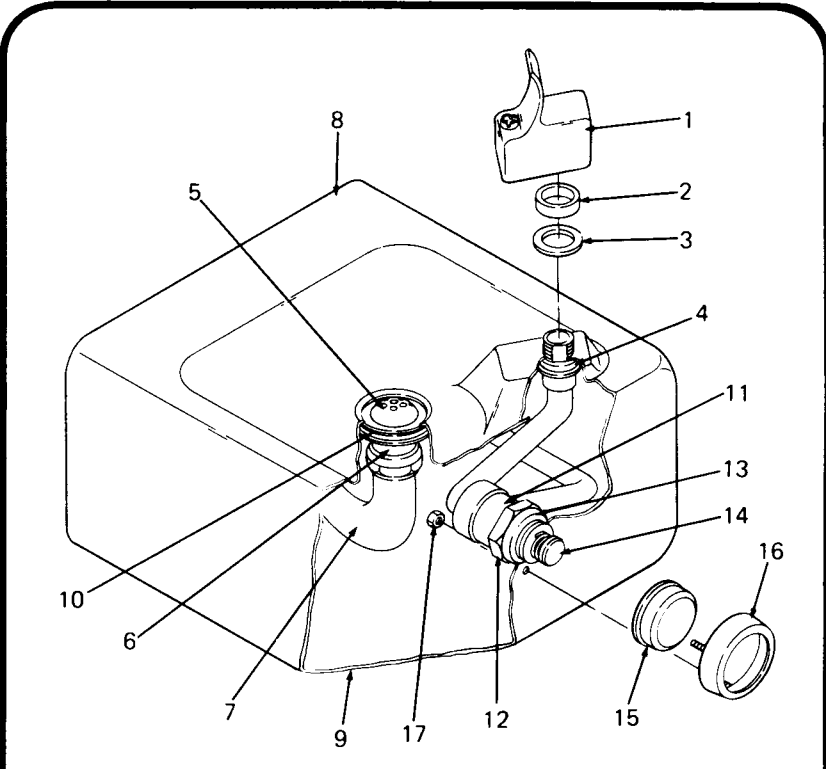
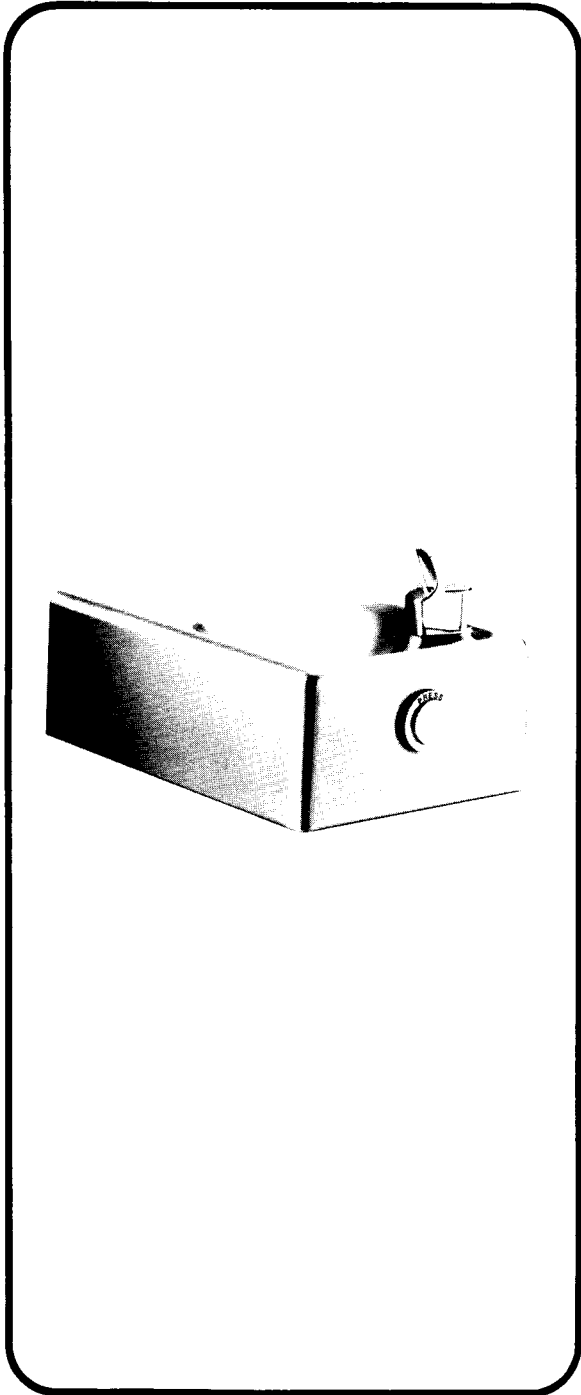


SERVICE INSTRUCTIONS

...with Illustrated Parts Breakdown

EBCO[®]

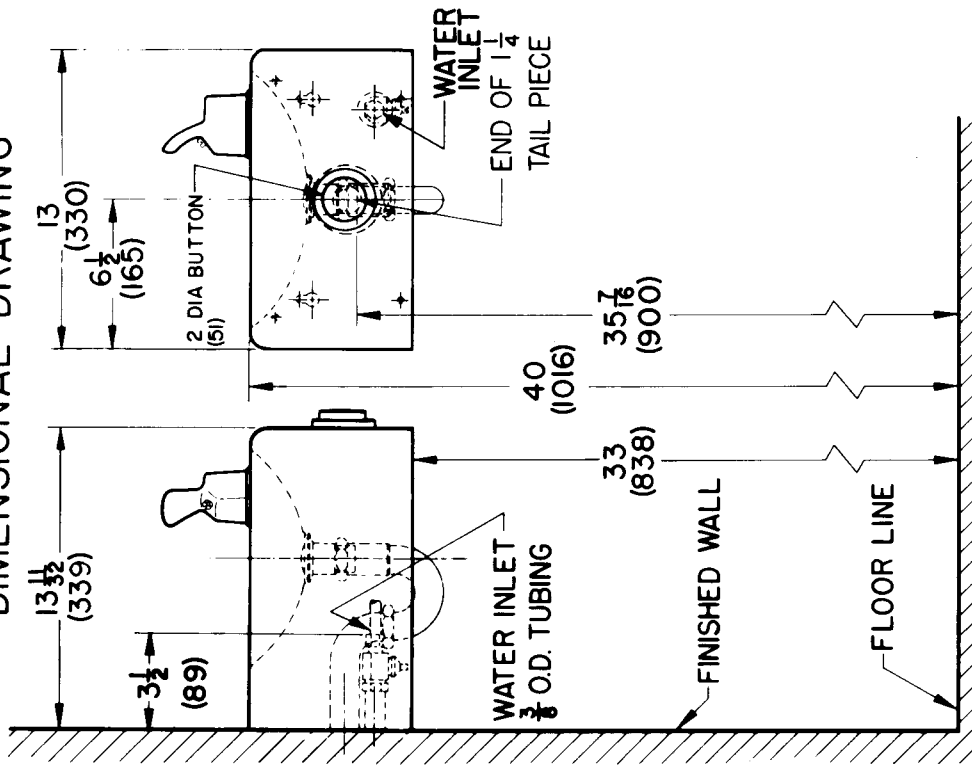
**ON-A-WALL DRINKING
FOUNTAIN MODELS:
FLF110PM, FLF110PM-001
FLF140PM, FLF140PM-001**



PARTS LIST

ITEM NO.	DESCRIPTION	FLF110PM FLF110PM-001	FLF140PM FLF140PM-001
1	12000A Bubbler Valve, NR CF (Used on FLF110PM-001 and FLF140PM-001 only)	030774-025	030774-025
	12000 Bubbler Valve, CF (Used on FLF110PM and FLF140PM only)	026551-006	026551-006
2	Valve Body Gasket	008983	008983
3	Friction Washer	009281	009281
4	Lower Washer	028706-001	028706-001
5	Strainer Assembly	024269	024269
6	Waste Tailpiece	024268	027543-001
7	Waste Trap Assembly	---	027542-001
8	Top Assembly	028833-005	028832-005
9	Support Plate	024337-001	024248
10	Gasket	011416	011416
11	Cartridge Holder	029971-001	029971-001
12	Hex Nut Cartridge Holder	029968-001	029968-001
13	Cartridge Holder Nut-Ring	029969-001	029969-001
14	Cartridge	029967-001	029967-001
15	Push Button - Stainless	024817	024817
16	Bezel -Stainless	030322-001	030322-001
17	Hex Nut (3 Req'd)	020203	020203

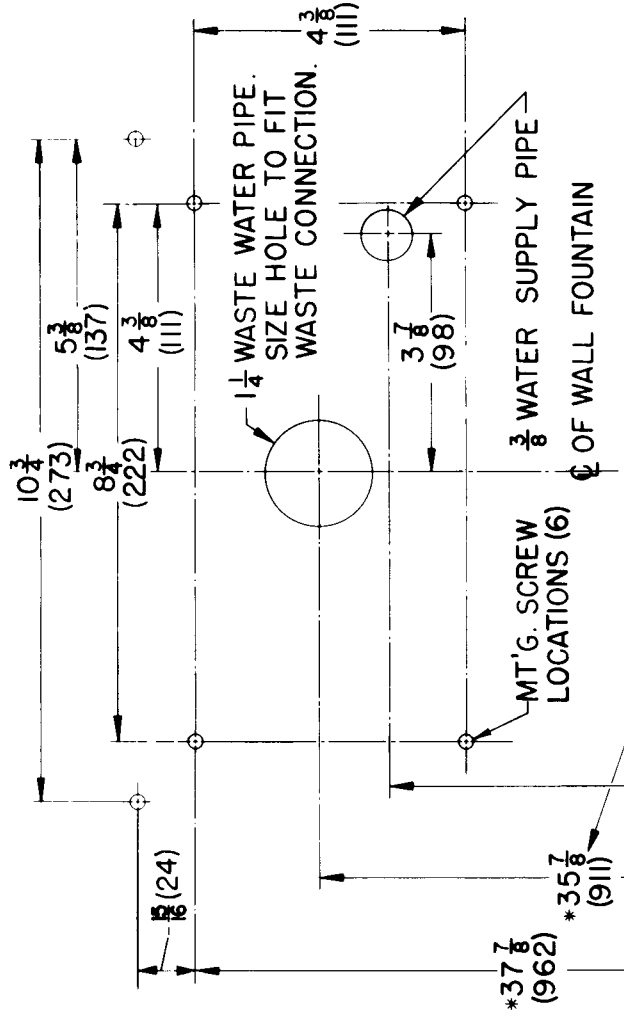
DIMENSIONAL DRAWING



NOTES:
 TRAP AND FIXTURE STOP VALVE NOT FURNISHED WITH DRINKING FOUNTAIN.

ALL DIMENSIONS ARE IN INCHES.
 DIMENSIONS IN PARENTHESSES() ARE IN MILLIMETERS.

ROUGHING-IN DRAWING



THIS DIMENSION MUST BE HELD WITHIN ± 0 (0) $-\frac{1}{4}$ (6)

* DIMENSIONS SHOWN FOR ADULT INSTALLATION DEDUCT 10 INCHES (254mm) FROM THESE DIMENSIONS FOR CHILDREN'S INSTALLATION

FLOOR LINE

024348-002		DATE	BY	CHECKED	APPROVED
1	2	3	4	5	6
7	8	9	10	11	12
13	14	15	16	17	18
19	20	21	22	23	24
25	26	27	28	29	30
31	32	33	34	35	36
37	38	39	40	41	42
43	44	45	46	47	48
49	50	51	52	53	54
55	56	57	58	59	60
61	62	63	64	65	66
67	68	69	70	71	72
73	74	75	76	77	78
79	80	81	82	83	84
85	86	87	88	89	90
91	92	93	94	95	96
97	98	99	100	101	102
103	104	105	106	107	108
109	110	111	112	113	114
115	116	117	118	119	120
121	122	123	124	125	126
127	128	129	130	131	132
133	134	135	136	137	138
139	140	141	142	143	144
145	146	147	148	149	150
151	152	153	154	155	156
157	158	159	160	161	162
163	164	165	166	167	168
169	170	171	172	173	174
175	176	177	178	179	180
181	182	183	184	185	186
187	188	189	190	191	192
193	194	195	196	197	198
199	200	201	202	203	204
205	206	207	208	209	210
211	212	213	214	215	216
217	218	219	220	221	222
223	224	225	226	227	228
229	230	231	232	233	234
235	236	237	238	239	240
241	242	243	244	245	246
247	248	249	250	251	252
253	254	255	256	257	258
259	260	261	262	263	264
265	266	267	268	269	270
271	272	273	274	275	276
277	278	279	280	281	282
283	284	285	286	287	288
289	290	291	292	293	294
295	296	297	298	299	300

ROUGHING-IN B. DIM. DWG
 WF SIDE
 ECH 510088
 024348-002