



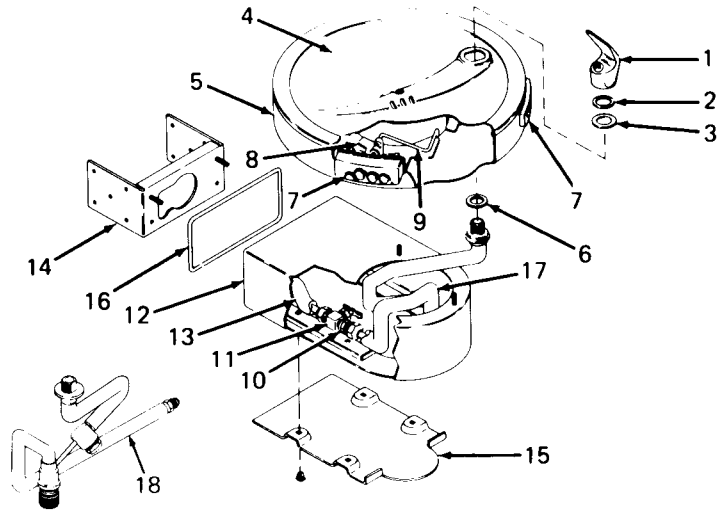
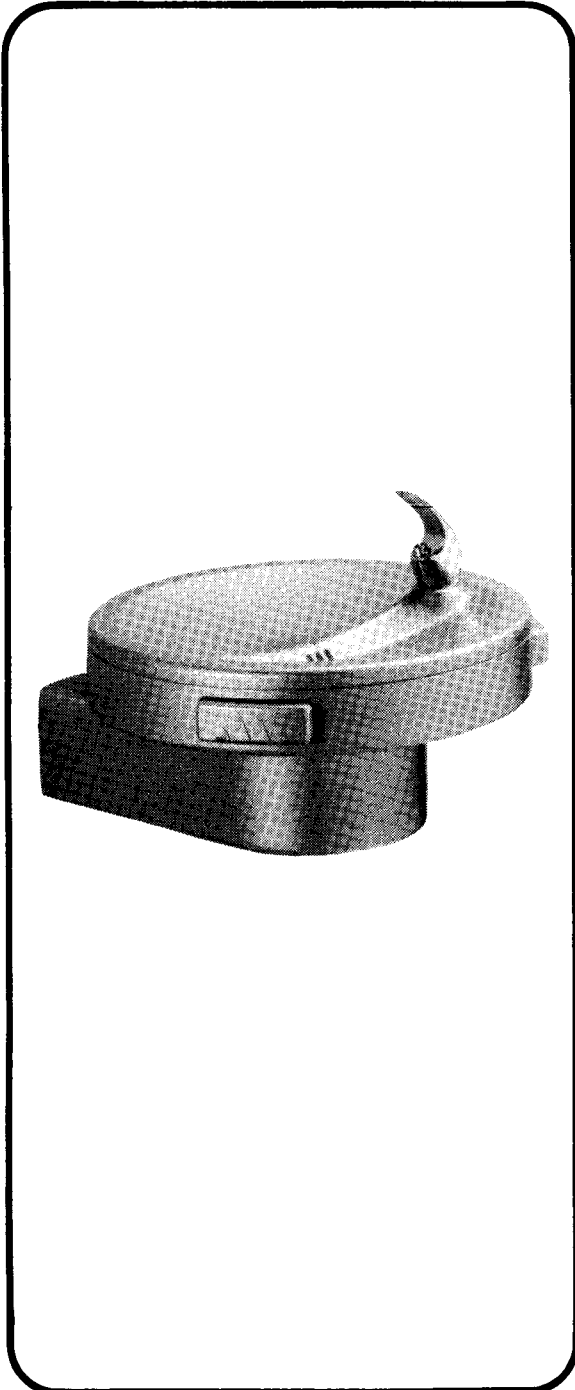
AQUARIUS

Kelvinator

White-Westingshouse®

ILLUSTRATED PARTS BREAKDOWN

**DRINKING FOUNTAIN MODELS:
RDF-110 FLF110R**



PARTS LIST

ITEM NO.	DESCRIPTION	RDF-110	FLF110R
1	Bubbler, CF – Chrome	027622-001	030951-001
	Bubbler, CF – Bronze	027622-002	030951-002
2	Gasket	024780	030017-001
3	Friction Washer	009281	009281
4	Top Bowl – Stainless Steel	027617-001	027617-001
	Top Bowl – Bronze	027617-002	027617-002
5	Bottom Bowl – Stainless Steel	027616-001	027616-001
	Bottom Bowl – Bronze	027616-002	027616-002
6	Bubbler Spud Gasket	028025-001	028025-001
7	Push Pad – Satin	027601-001	027601-001
	Push Pad – Bronze	027601-002	027601-002
8	Push Rod Bearing	027644-001	027644-001
9	Push Rod, LH	027603-001	027603-001
	Push Rod, RH	027602-001	027602-001
10	Flow Regulator Kit	029403-001	---
11	Needle Valve	027608-001	---
12	Short Arm Assembly –	027618-001	027618-001
	Stainless Steel		
	Short Arm Assembly – Bronze	027618-002	027618-002
13	Short Tube Assembly Water Inlet	027611-001	---
14	Mounting Plate	027526-001	027526-001
15	Short Bottom Plate	027620-001	027620-001
16	Gasket	027623-001	027623-001
17	Valve Body & Tube Assembly	028188-001	---
18	Inlet Tube & Regulator Assembly	---	029519-003
NOT SHOWN			
	Short Waste Drain Assembly	027613-001	027613-001
	Waste Drain Gasket	027614-001	027614-001
	Valve Stem Assembly	013059-002	013059-002
	Valve Stem Assembly Clamp	027615-001	027615-001
	Push Rod Compression Spring	027638-003	027638-003

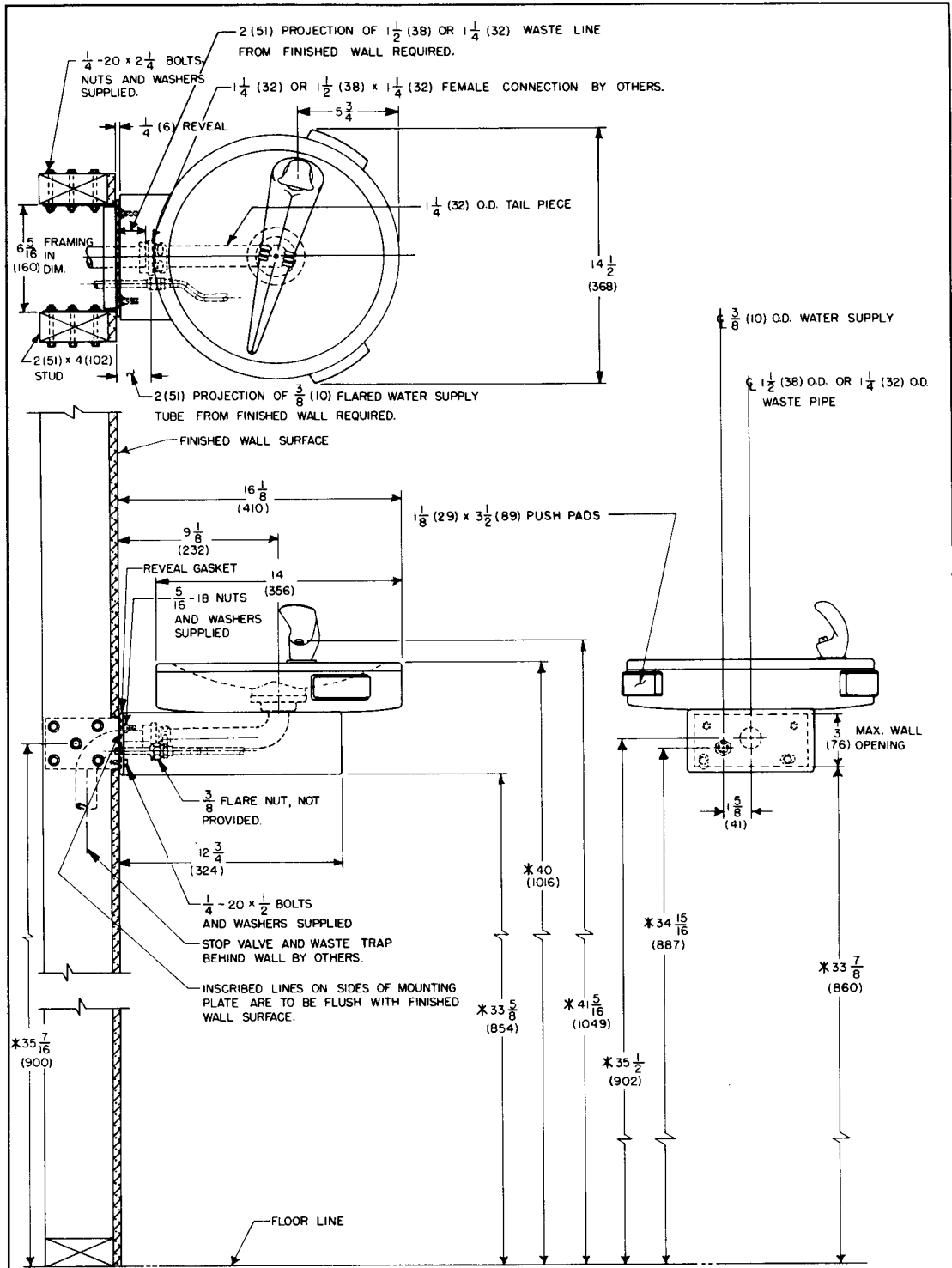
OASIS® & AQUARIUS® are registered trademarks of EBCO Manufacturing Company
 The trademarks Kelvinator® and White-Westingshouse® are used under license from White Consolidated Industries, Inc.

EBCO® MANUFACTURING COMPANY

265 N. Hamilton Rd. • P.O. Box 13150 • Columbus, OH 43213-0150 • 614/861-1350 • Fax: 614/861-5017

FORM NO. 6014-1

Printed in U.S.A. 5/93
 Copyright 1993 EBCO Manufacturing Co.



- NOTES:
- TRAP, STOP VALVE, PIPE CONNECTOR AND $\frac{3}{8}$ FLARE NUT NOT PROVIDED WITH UNIT.
 - ALL DIMENSIONS ARE IN INCHES.
 - DIMENSIONS IN PARENTHESES () ARE IN MILLIMETERS.
 - RECOMMENDED ADULT HEIGHT INSTALLATION SHOWN. ADJUST VERTICAL DIMENSIONS AS REQUIRED TO COMPLY WITH FEDERAL, STATE, AND LOCAL CODES.

REV	DATE	BY	CHKD	DESCRIPTION
1				ISSUED FOR CONSTRUCTION
2				REVISION
3				REVISION
4				REVISION
5				REVISION
6				REVISION
7				REVISION
8				REVISION
9				REVISION
10				REVISION
11				REVISION
12				REVISION
13				REVISION
14				REVISION
15				REVISION
16				REVISION
17				REVISION
18				REVISION
19				REVISION
20				REVISION
21				REVISION
22				REVISION
23				REVISION
24				REVISION
25				REVISION
26				REVISION
27				REVISION
28				REVISION
29				REVISION
30				REVISION
31				REVISION
32				REVISION
33				REVISION
34				REVISION
35				REVISION
36				REVISION
37				REVISION
38				REVISION
39				REVISION
40				REVISION
41				REVISION
42				REVISION
43				REVISION
44				REVISION
45				REVISION
46				REVISION
47				REVISION
48				REVISION
49				REVISION
50				REVISION
51				REVISION
52				REVISION
53				REVISION
54				REVISION
55				REVISION
56				REVISION
57				REVISION
58				REVISION
59				REVISION
60				REVISION
61				REVISION
62				REVISION
63				REVISION
64				REVISION
65				REVISION
66				REVISION
67				REVISION
68				REVISION
69				REVISION
70				REVISION
71				REVISION
72				REVISION
73				REVISION
74				REVISION
75				REVISION
76				REVISION
77				REVISION
78				REVISION
79				REVISION
80				REVISION
81				REVISION
82				REVISION
83				REVISION
84				REVISION
85				REVISION
86				REVISION
87				REVISION
88				REVISION
89				REVISION
90				REVISION
91				REVISION
92				REVISION
93				REVISION
94				REVISION
95				REVISION
96				REVISION
97				REVISION
98				REVISION
99				REVISION
100				REVISION