



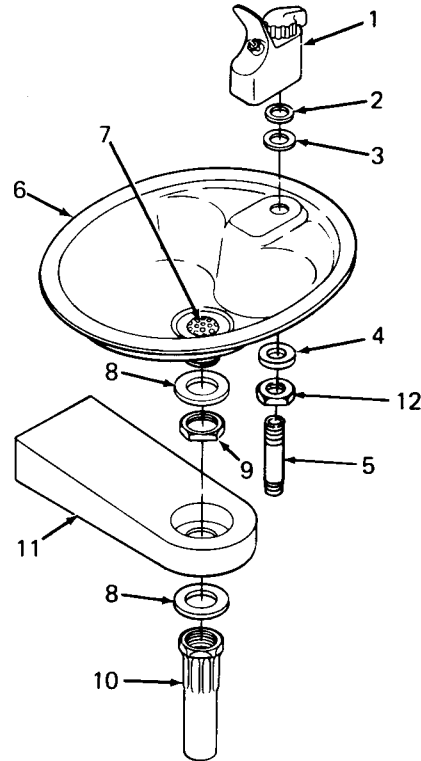
**AQUARIUS**

*Kelvinator*

White-Westingshouse®

# ILLUSTRATED PARTS BREAKDOWN

**BRACKET MOUNTED  
DRINKING FOUNTAIN MODELS:  
DF-120-001 FLF120 FLF120-001**



## PARTS LIST

ITEM NO.	DESCRIPTION	
1	12000 Valve .....	026551-002
	12000A Valve (FLF-001 Series) .....	030774-002
2	Valve Body Gasket .....	008983
3	Friction Gasket .....	009281
4	Gasket .....	010545
5	Nipple .....	029582-001
6	Pedestal Basin .....	029579-001
7	Strainer Assembly .....	024207
8	Strainer Gasket (2 Required) .....	011416
9	Strainer Nut .....	024459
10	Waste Tail Piece .....	019915
11	Basin Bracket - Painted .....	024950
12	Lock Nut .....	023347

OASIS® & AQUARIUS® are registered trademarks of EBCO Manufacturing Company  
The trademarks Kelvinator® and White-Westingshouse® are used under license from White Consolidated Industries, Inc.

**EBCO**®  
**MANUFACTURING COMPANY**

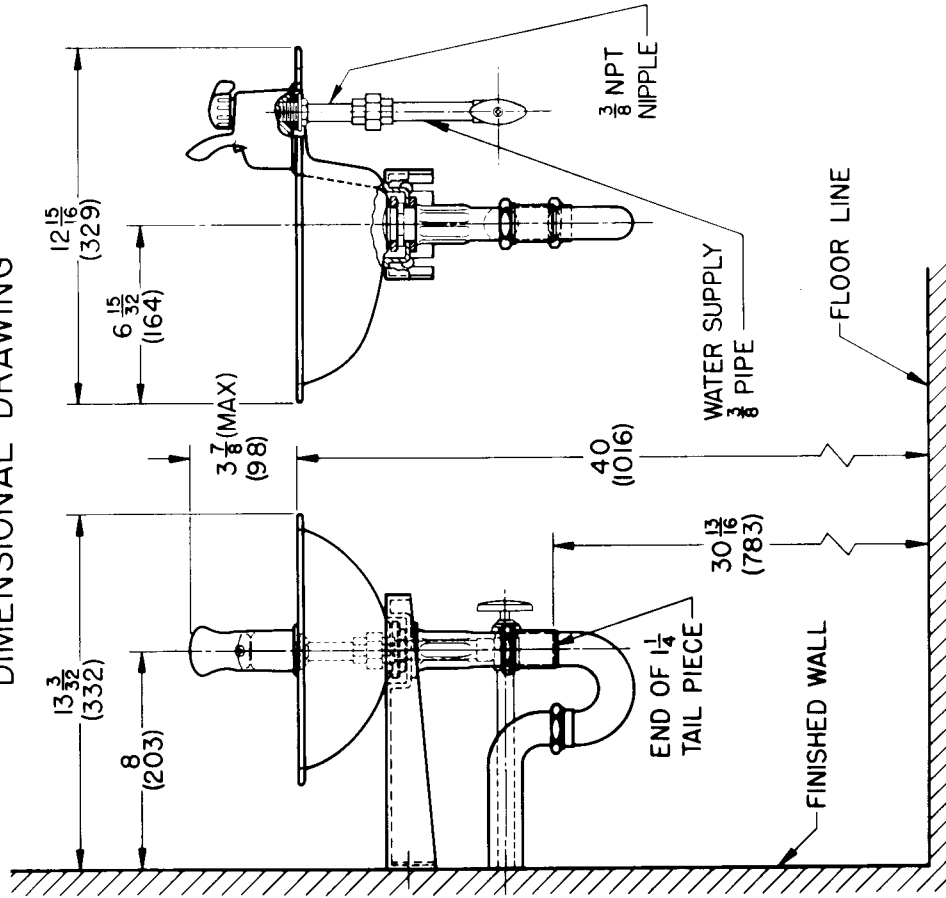
265 N. Hamilton Rd. • P.O. Box 13150 • Columbus, OH 43213-0150 • 614/861-1350 • Fax: 614/861-5017

FORM NO. 6024

9/93

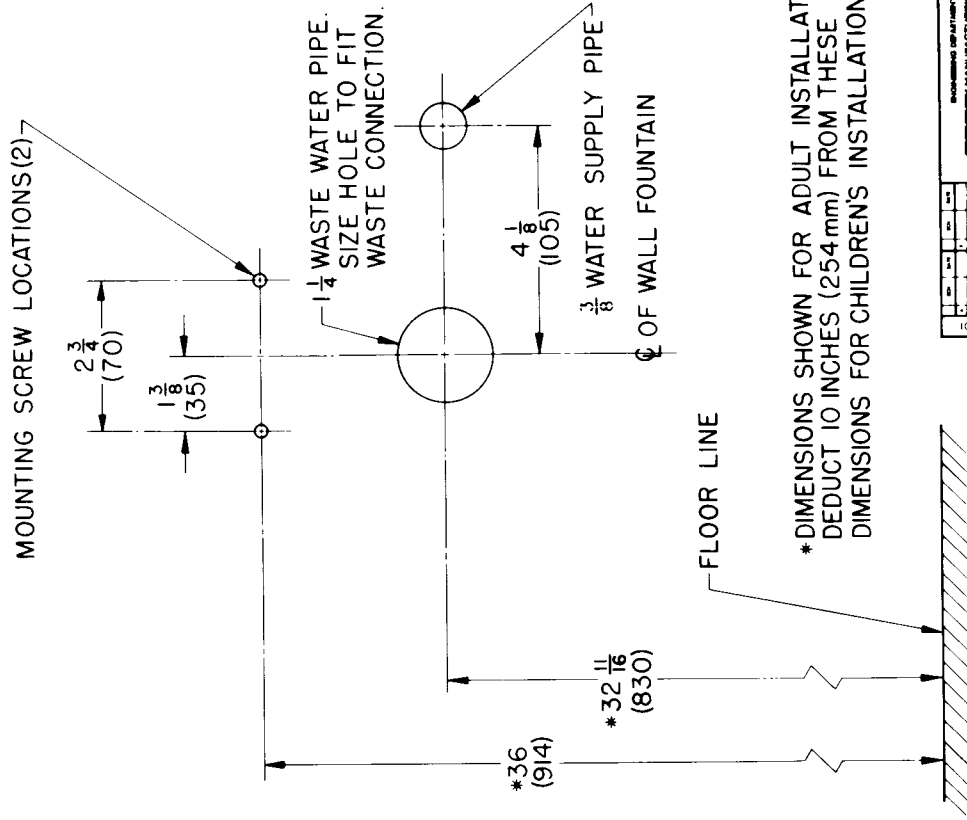
Copyright 1993 EBCO Manufacturing Co.

### DIMENSIONAL DRAWING



NOTES:  
 TRAP, FIXTURE STOP VALVE,  $\frac{3}{8}$  WATER SUPPLY PIPES,  
 AND UNION NOT FURNISHED  
 WITH DRINKING FOUNTAIN.  
 ALL DIMENSIONS ARE IN INCHES.  
 DIMENSIONS IN PARENTHESES ( ) ARE IN MILLIMETERS.

### ROUGHING-IN DRAWING



\* DIMENSIONS SHOWN FOR ADULT INSTALLATION.  
 DEDUCT 10 INCHES (254mm) FROM THESE  
 DIMENSIONS FOR CHILDREN'S INSTALLATION.

NO.	REV.	DATE	BY	CHKD.

ENGINEERING DEPARTMENT  
 MANUFACTURING COMPANY  
 DRAWN BY  
 CHECKED BY  
 DATE  
 PROJECT NO.  
 029571-001  
 ROUGHING-IN & DIM DWG  
 164 890248  
 029571-001