



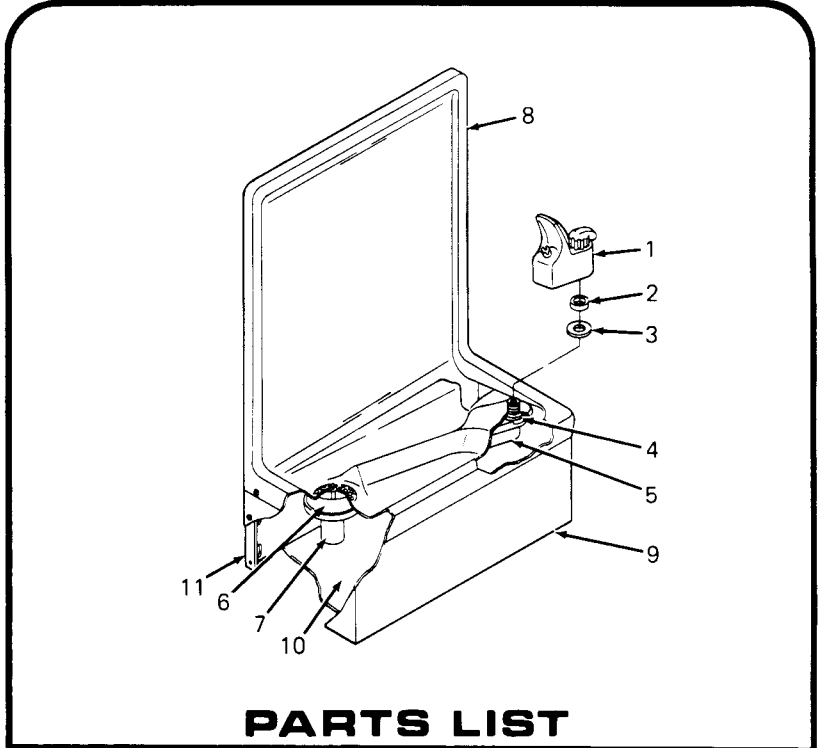
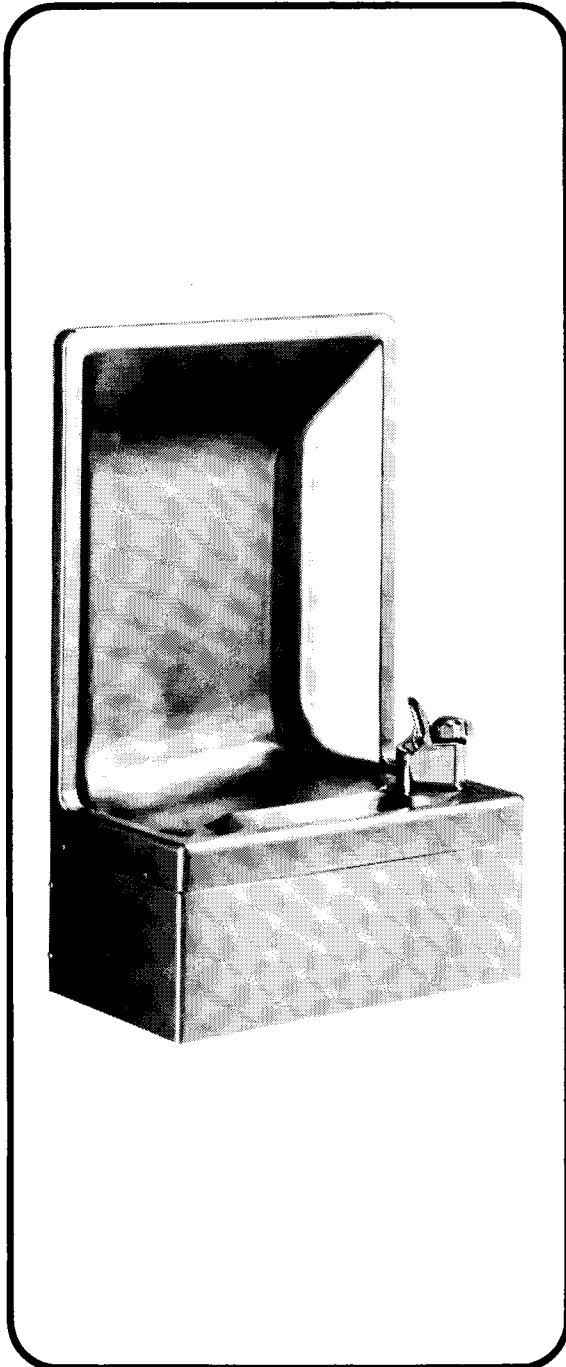
AQUARIUS


Kelvinator®

White-Westinghouse®

ILLUSTRATED PARTS BREAKDOWN

**SIMULATED SEMI-RECESSED
 DRINKING FOUNTAIN MODELS:
 DF-130-001 FLF130 FLF130-001**



PARTS LIST

ITEM NO.	DESCRIPTION	
1	12000 Valve	026551-002
	12000A Valve (FLF-001 Series)	030774-002
2	Valve Body Gasket	008983
3	Friction Gasket	009281
4	Bubbler Spud Gasket	028706-001
5	Supply Tube Assembly	029953-001
6	Waste Gasket	018050
7	Waste Drain Assembly	023046
8	Top	028849-001
9	Wrapper - Stainless Steel	022975-006
10	Support Plate	023391
11	Mounting Bracket	024172
NOT SHOWN		
MISCELLANEOUS PARTS FOR PUSH BUTTON MODELS:		
	12000 Valve, CF	026551-006
	12000A Valve, CF (FLF-001 Series)	030774-004
	Switch	024764
	Bezel	024816
	Push Button	024817
	Solenoid Valve	029819-002
	Bezel Retainer (Hex Nut)	020203
	Wrapper - Stainless Steel	022975-013

OASIS® & AQUARIUS® are registered trademarks of EBCO Manufacturing Company
 The trademarks Kelvinator® and White-Westinghouse® are used under license from White Consolidated Industries, Inc.

EBCO®
MANUFACTURING COMPANY

265 N. Hamilton Rd. • P.O. Box 13150 • Columbus, OH 43213-0150 • 614/861-1350 • Fax: 614/861-5017

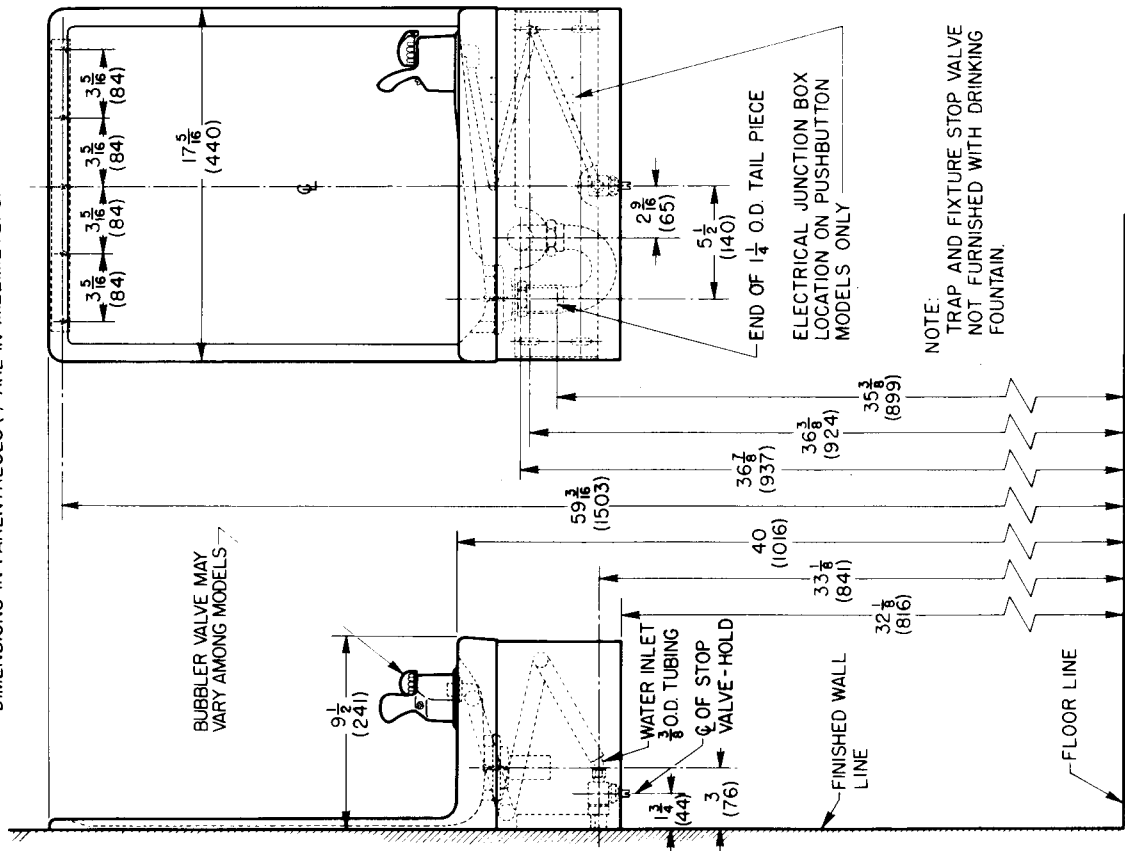
FORM NO. 6025

7/93

Copyright 1993 EBCO Manufacturing Co.

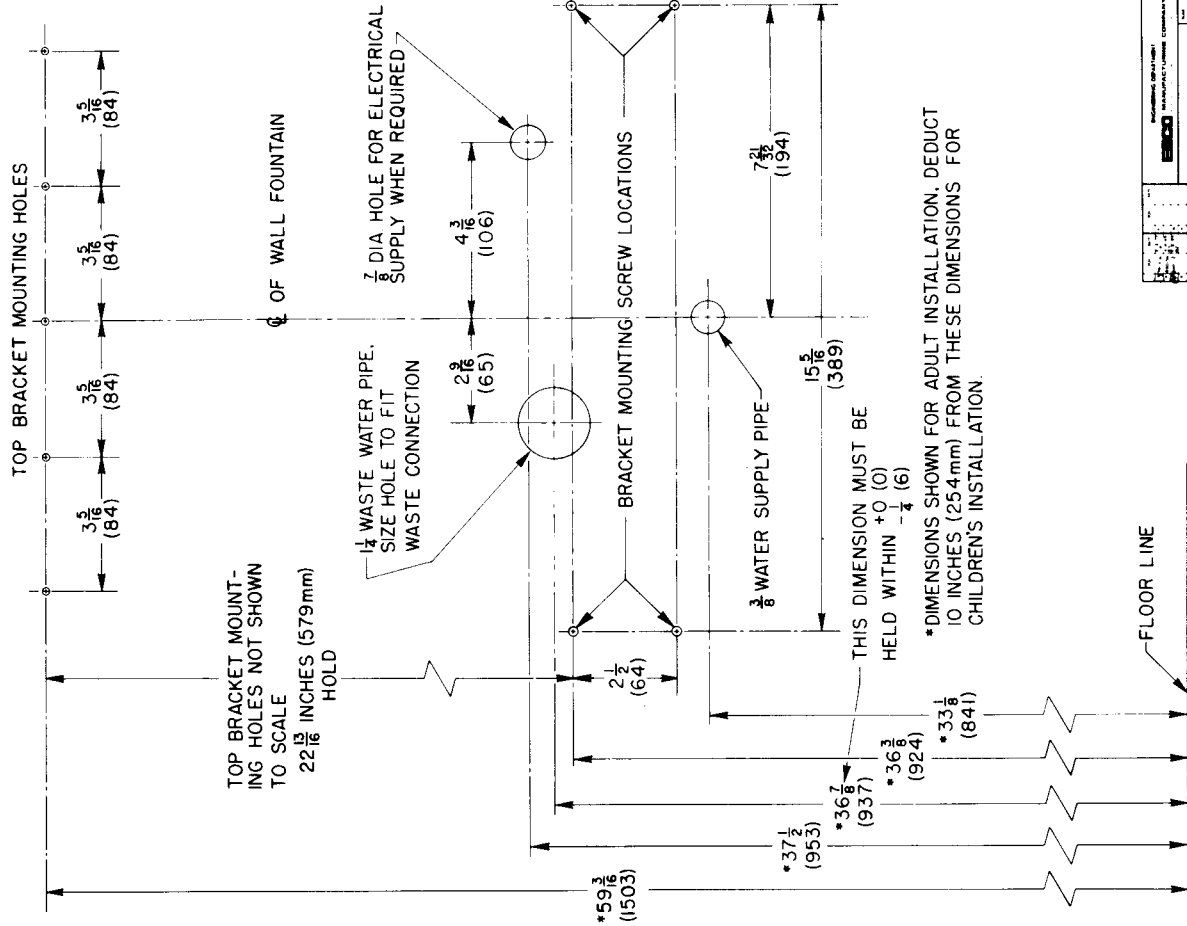
DIMENSIONAL DRAWING

ALL DIMENSIONS ARE IN INCHES.
DIMENSIONS IN PARENTHESES () ARE IN MILLIMETERS.



NOTE:
TRAP AND FIXTURE STOP VALVE NOT FURNISHED WITH DRINKING FOUNTAIN.

ROUGHING-IN DRAWING



* DIMENSIONS SHOWN FOR ADULT INSTALLATION. DEDUCT 10 INCHES (254mm) FROM THESE DIMENSIONS FOR CHILDREN'S INSTALLATION.

	814 B DIM/DWG OF 3-D SERIES 024197
--	--