



Kelvinator[®]

White-Westinghouse[®]

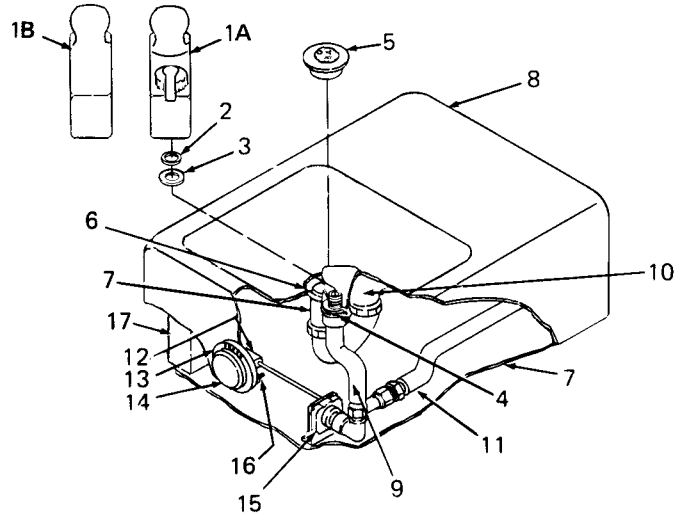
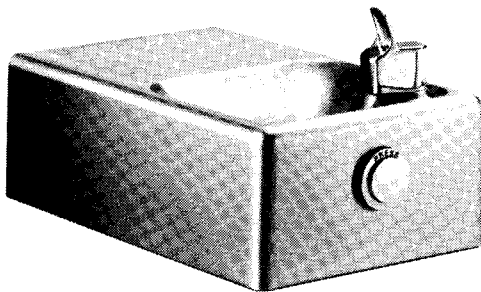
ILLUSTRATED PARTS BREAKDOWN

WHEELCHAIR DRINKING FOUNTAIN MODELS:

FLF140
FLF140-001

FLF140P
FLF140PE

FLF140P-001
FLF140PE-001



PARTS LIST

ITEM NO.	DESCRIPTION	FLF140	FLF140P
		FLF140-001	FLF140PE-001
1	12000 Valve (FLF140 Series)	026551-002	026551-006
	12000A Valve (FLF140-001 Series)	030774-002	030774-004
2	Valve Body Gasket	028706-006	028706-006
3	Friction Washer	028706-013	028706-013
4	Supply Spud Gasket	028706-001	028706-001
5	Strainer Assembly	024269	024269
6	Strainer Assembly Gasket	028706-009	028706-009
7	Waste Tailpiece	027543-001	027543-001
8	Top Assembly	028832-001	028832-002
9	Supply Tube Assembly	029021-001	028892-001
	(To Bubbler)		
10	Waste Trap Assembly	027542-001	027542-001
11	Supply Tube Assembly	---	026771-002
	(To Solenoid Valve)		
12	Switch	---	024764
13	Bezel	---	024816
14	Push Button	---	024817
15	Solenoid Valve	---	029819-002
16	Bezel Retainer (Hex Nut)	---	020203
17	Utility Box	---	020305-002
NOT SHOWN			
	Timer (FLF140-P Series only)	---	024937

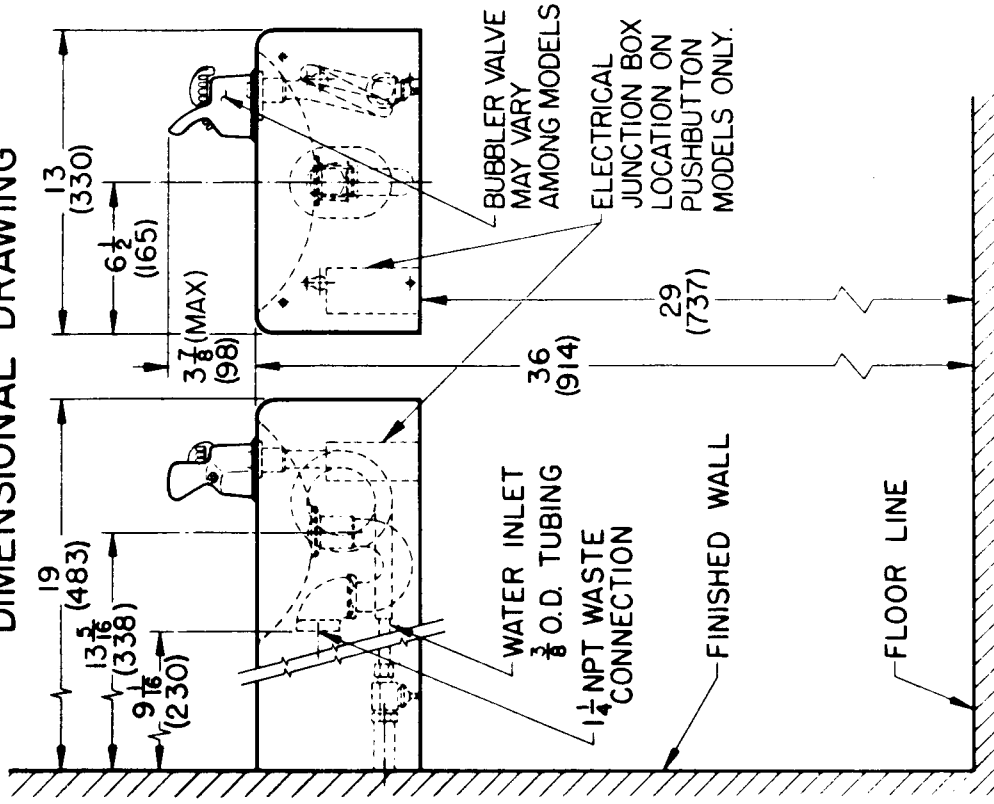
OASIS[®] & AQUARIUS[®] are registered trademarks of EBCO Manufacturing Company
The trademarks Kelvinator[®] and White-Westinghouse[®] are used under license from White Consolidated Industries, Inc.

EBCO[®] MANUFACTURING COMPANY
265 N. Hamilton Rd. • P.O. Box 13150 • Columbus, OH 43213-0150 • 614/861-1350 • Fax: 614/861-5017

Printed in U.S.A.

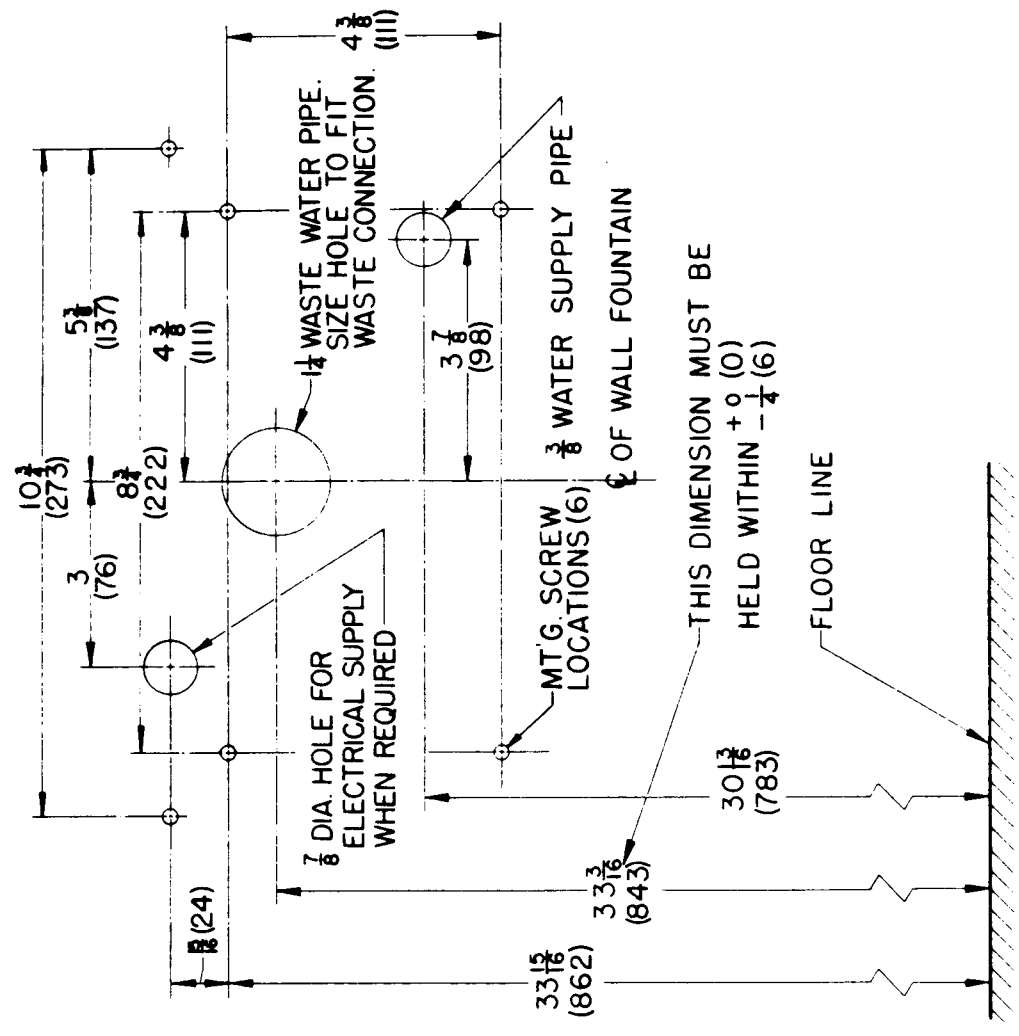
FORM NO. 6034
9/93
Copyright 1993 EBCO Manufacturing Co.

DIMENSIONAL DRAWING



NOTES:
 STOP VALVE NOT FURNISHED WITH DRINKING FOUNTAIN.
 ALL DIMENSIONS ARE IN INCHES.
 DIMENSIONS IN PARENTHESES() ARE IN MILLIMETERS.

ROUGHING-IN DRAWING



ENGINEERING DEPARTMENT	
MANUFACTURING COMPANY	
DATE MCR	02
DATE 2-18-78	4
ROUGHING-IN & DIM DWG	024357
W/C FTN	
EUR 78003E	