



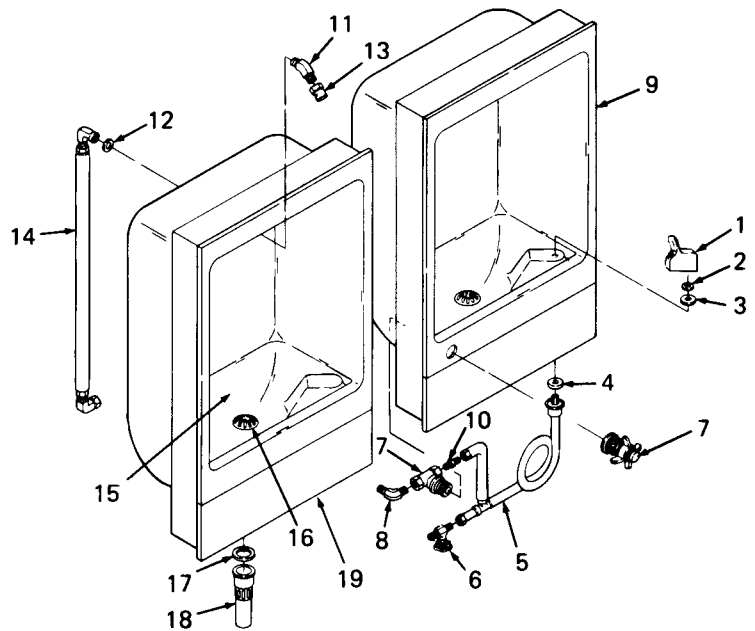
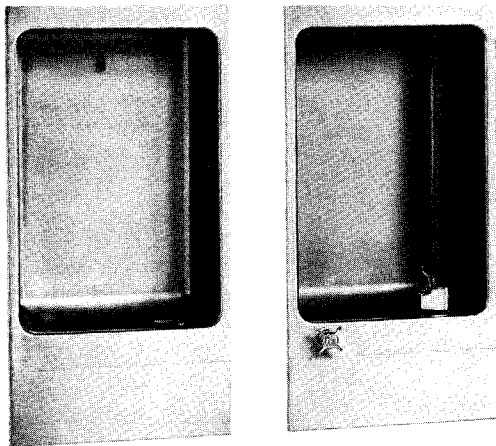
AQUARIUS

Kelvinator

White-Westinghouse®

ILLUSTRATED PARTS BREAKDOWN

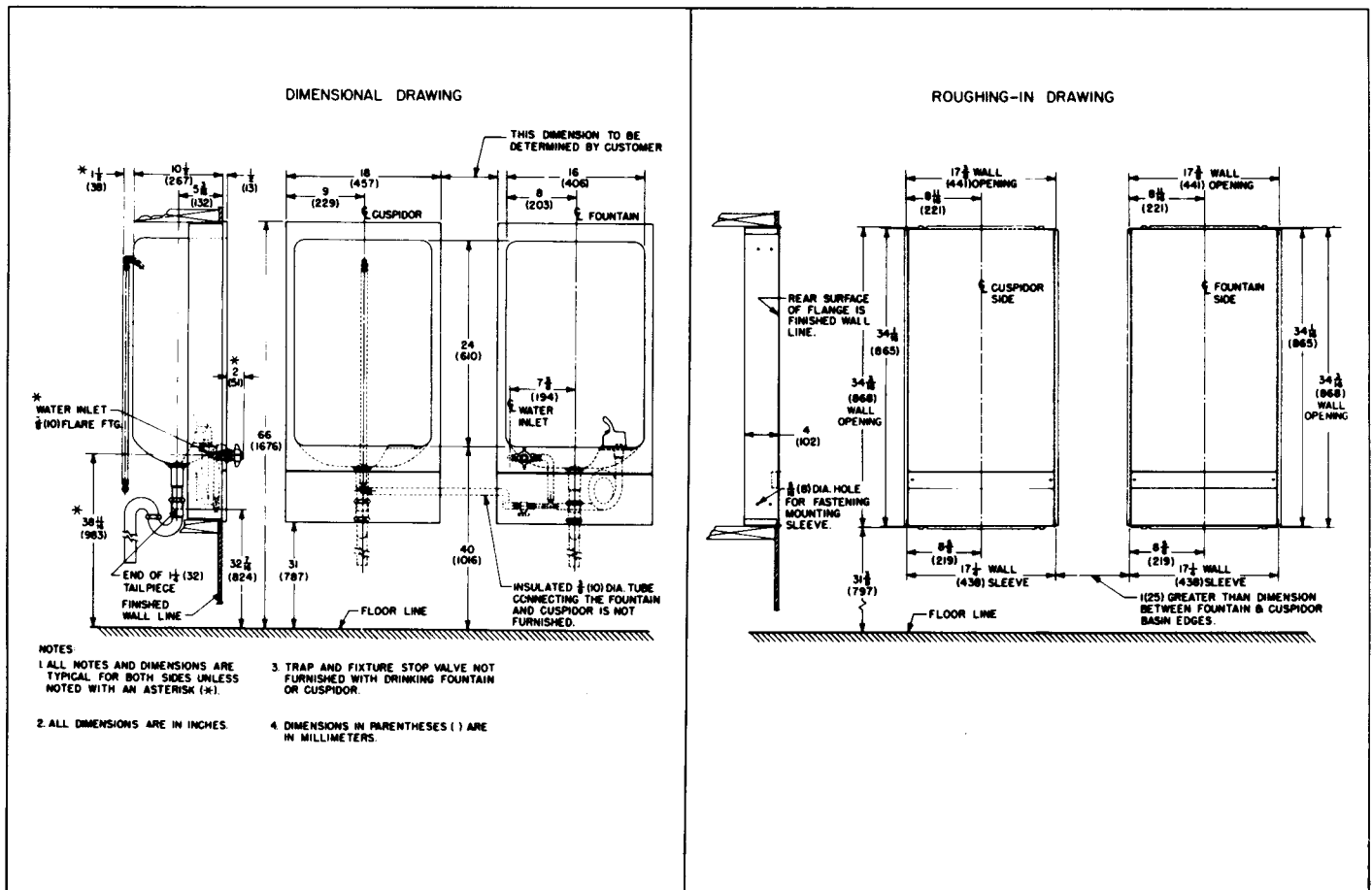
FULLY-RECESSED DRINKING FOUNTAIN WITH CUSPIDOR FLF231



PARTS LIST

ITEM NO.	DESCRIPTION	PART NO.
Drinking Fountain Side		
1	12000A CF Plastic Valve Assembly	030774-004
2	Valve Body Gasket	028706-006
3	Friction Washer	028706-013
4	Supply Spud Gasket	028706-001
5	Complete Water Supply Tube Assembly	029294-001
6	Needle Valve	027608-001
7	Self-Closing Valve, 3/8 BHD	027406-001
8	Male Elbow Fitting, FL X NPTM 3/8 OD X 3/8 NPTM	027413-001
9	Fully-Recessed Top Assembly	028847-003
10	Male Flare Connector Fitting	007317-001
Cuspidor Side		
11	Chrome 45 Street Elbow Fitting	025690-002
12	Flat Brass Washer	025743
13	Spray Nozzle	027401-001
14	Tube Assembly to Nozzle	027404-001
15	Fully-Recessed Top Assembly	028223-002
Drinking Fountain Side and Cuspidor Side		
16	Strainer Assembly	024207
17	Strainer Gasket	028706-009
18	Waste Tail Piece	019915
19	Plumbing Cover	028255-001
	Plumbing Kit	029691-002

OASIS Drinking Fountain with Cuspidor Specifications Model FLF231



Specifications are subject to change without notice.

OASIS® & AQUARIUS® are registered trademarks of EBCO Manufacturing Company
The trademarks Kelvinator® and White-Westinghouse® are used under license from White Consolidated Industries, Inc.

EBCO® MANUFACTURING COMPANY

265 N. Hamilton Rd. • P.O. Box 13150 • Columbus, OH 43213-0150 • 614/861-1350 • Fax: 614/861-5017

Printed in U.S.A.
Copyright 1984 EBCO Manufacturing Co.