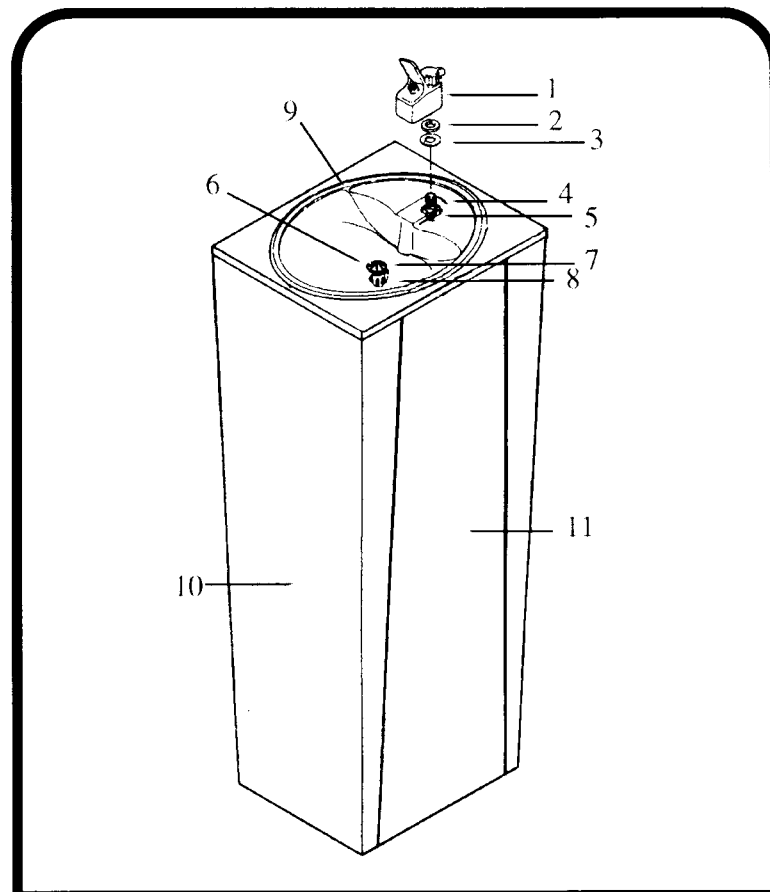
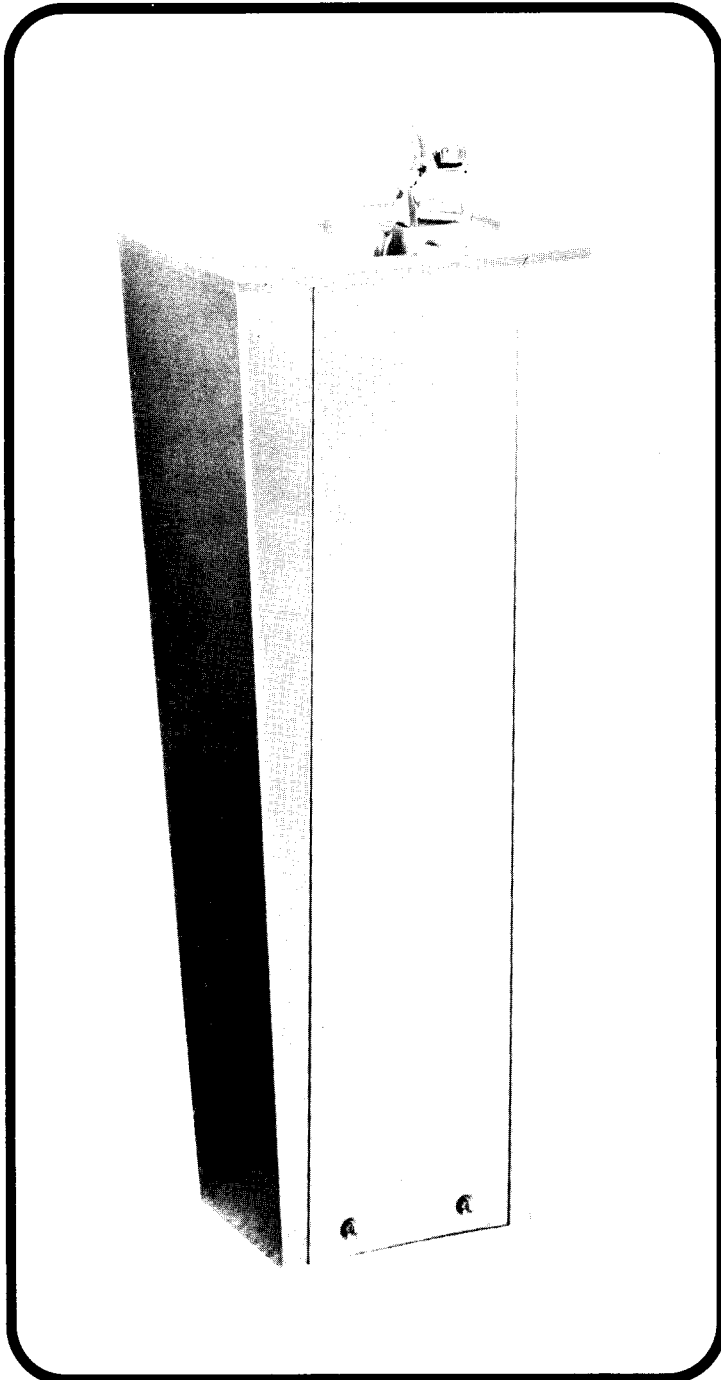




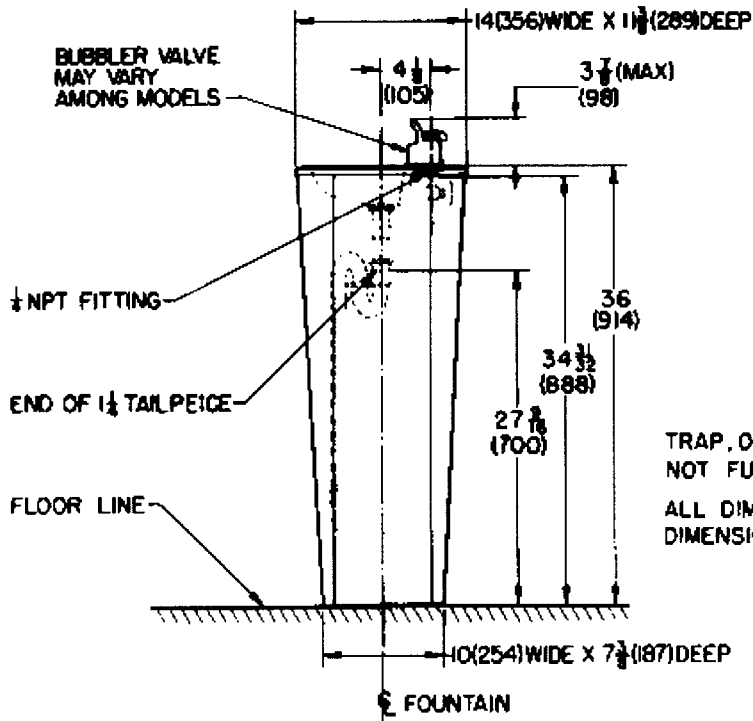
Illustrated Parts Breakdown

Model: FLF500



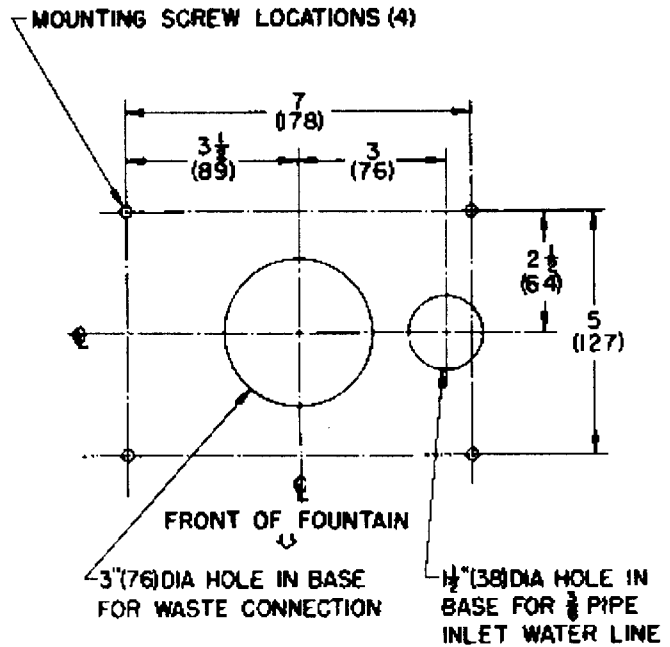
<u>Item#</u>	<u>Description</u>	<u>Part#</u>
1	12000A Valve	030774-006
2	Valve Body Gasket	028706-006
3	Friction Washer	028706-013
4	Supply Spud Gasket	028706-008
5	Supply Spud Fitting	029582-001
6	Strainer Assy	024207
7	Strainer Gasket	028706-009
8	Waste Tail Piece	019915
9	Fountain Basin	029851-001
10	Fountain Wrapper Assy	024384-001
11	Front Panel	024387-001

DIMENSIONAL DRAWING



NOTES:
 TRAP, OFFSET, 1/2 x 3/8 REDUCER, AND FIXTURE STOP VALVE NOT FURNISHED WITH DRINKING FOUNTAIN.
 ALL DIMENSIONS ARE IN INCHES.
 DIMENSIONS IN PARENTHESES () ARE IN MILLIMETERS.

ROUGHING-IN DRAWING



NOTES:
 MOUNTING HOLES IN BASE ARE OVERSIZE TO PROVIDE AMPLE CLEARANCE FOR 1/2 (6) DIA FASTENERS. FLAT WASHERS SHOULD BE USED TO PROVIDE MAXIMUM STRENGTH.

OASIS® Corporation

265 N Hamilton Rd • PO Box 13150 • Columbus OH 43213
 614/861/1350 • 614/861-0231 Fax