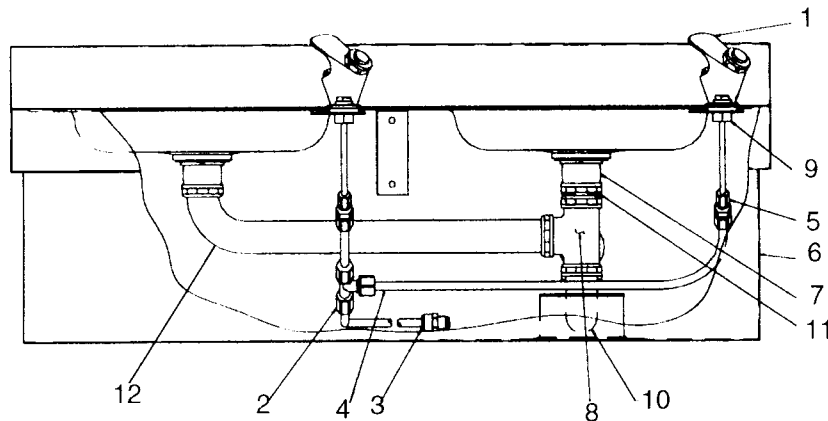


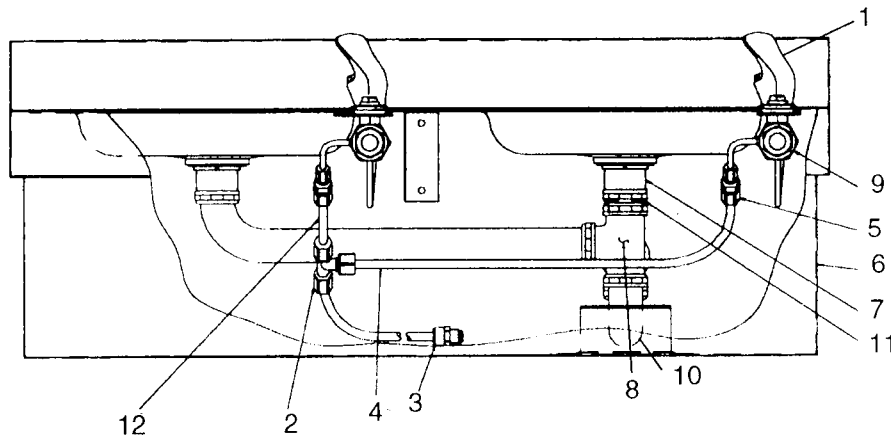


ILLUSTRATED PARTS BREAKDOWN MODELS: FLF620, FLF620PM

FLF620



FLF620PM



<u>FLF620</u>				<u>FLF620PM</u>			
NO.	DESCRIPTION	PART NO.	QTY.	NO.	DESCRIPTION	PART NO.	QTY.
1	ASSY, BUBBLER VALVE	024572-001	(2)	1	ASSY, BUBBLER VALVE	030951-001	(2)
2	FTG, TEE 3/8 PLASTIC	029051-001		2	FTG, TEE 3/8 PLASTIC	029051-001	
3	FTG, MALE FLARE CONNECTOR	029980-001		3	FTG, MALE FLARE CONNECTOR	029980-001	
4	TUBING, 3/8 POLYETHYLENE	029980-001		4	TUBING, 3/8 POLYETHYLENE	029980-001	
5	FTG, REDUCING UNION	031303-001	(2)	5	FTG, REDUCING UNION	031303-001	(2)
6	FTN, TWO STATION	031308-003		6	FTN, TWO STATION	031308-004	
7	STRAINER ASSY, SINK	031319-001	(2)	7	STRAINER ASSY, SINK	031319-001	(2)
8	CROSS, SINK	031348-002		8	CROSS, SINK	031348-001	
9	SPUD ASSY, BUBBLER	031331-001	(2)	9	REGULATOR ASSY, BUBBLER SPUD &	031314-001	(2)
10	TRAP, WASTE	031339-001		10	TRAP, WASTE	031339-001	
11	TAILPIECE	031344-001		11	TAILPIECE	031344-001	
12	WASTE ARM	031352-001		12	WASTE ARM	031352-001	

- INSTRUCTIONS:
1. MOUNT WALL HANGERS WITH 1/4-14 X 1-3/4 SCREWS FURNISHED.
 2. REMOVE SCREWS THAT FASTEN FOUNTAIN BOTTOM ENCLOSURE TO THE SINK APRON. SAVE SCREWS.
 3. MOUNT SINK APRON ON WALL HANGERS. SECURE TO WALL WITH 1/4-14 X 1-3/4 SCREWS FURNISHED.
 4. CONNECT "P" TRAP WASTE OUTLET TO 1-1/2" WASTE LINE.
 5. FLUSH BUILDING WATER SUPPLY LINE BEFORE CONNECTING TO FOUNTAIN.
 6. CONNECT COLD WATER SUPPLY TO 3/8 MALE FLARE WATER INLET.
 7. TURN ON WATER SUPPLY AND CHECK FOR LEAKS.
 8. REPLACE BOTTOM ENCLOSURE ON SINK APRON WITH SCREWS SAVED FROM STEP 2 ABOVE.
 9. ALL DIMENSIONS ARE IN INCHES. DIMENSIONS IN PARENTHESES () ARE IN MILLIMETERS.
 - *10. RECOMMENDED ADULT HEIGHT INSTALLATION SHOWN. ADJUST VERTICAL DIMENSIONS AS REQUIRED TO COMPLY WITH FEDERAL, STATE, AND LOCAL CODES.

