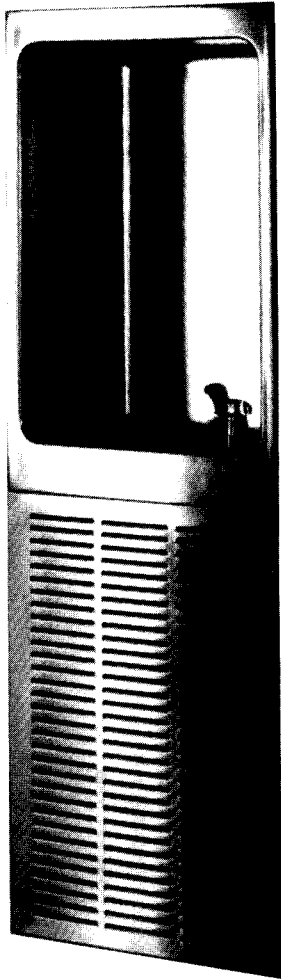


SERVICE INSTRUCTIONS

...with Illustrated Parts Breakdown

EBCO[®]

WATER COOLER MODELS: FP8F, FP12F, FP8F-50



DESCRIPTION

These models provide drinking water cooled to 50°F at 8 and 12 gallons per hour. These units mount fully recessed into a wall and require connections to supply water, electrical power, and waste drain.

The refrigeration system is hermetically sealed at manufacture and is generally considered to be non-field-serviceable. The air-cooled compressor pumps refrigerant through the fan-cooled condenser and a capillary tube (expansion valve) to the cooling tank evaporator. The evaporator is wrapped around the cooling tank for high efficiency.

The electrical circuit includes automatic overload protection, and an adjustable cold control for water temperature regulation.

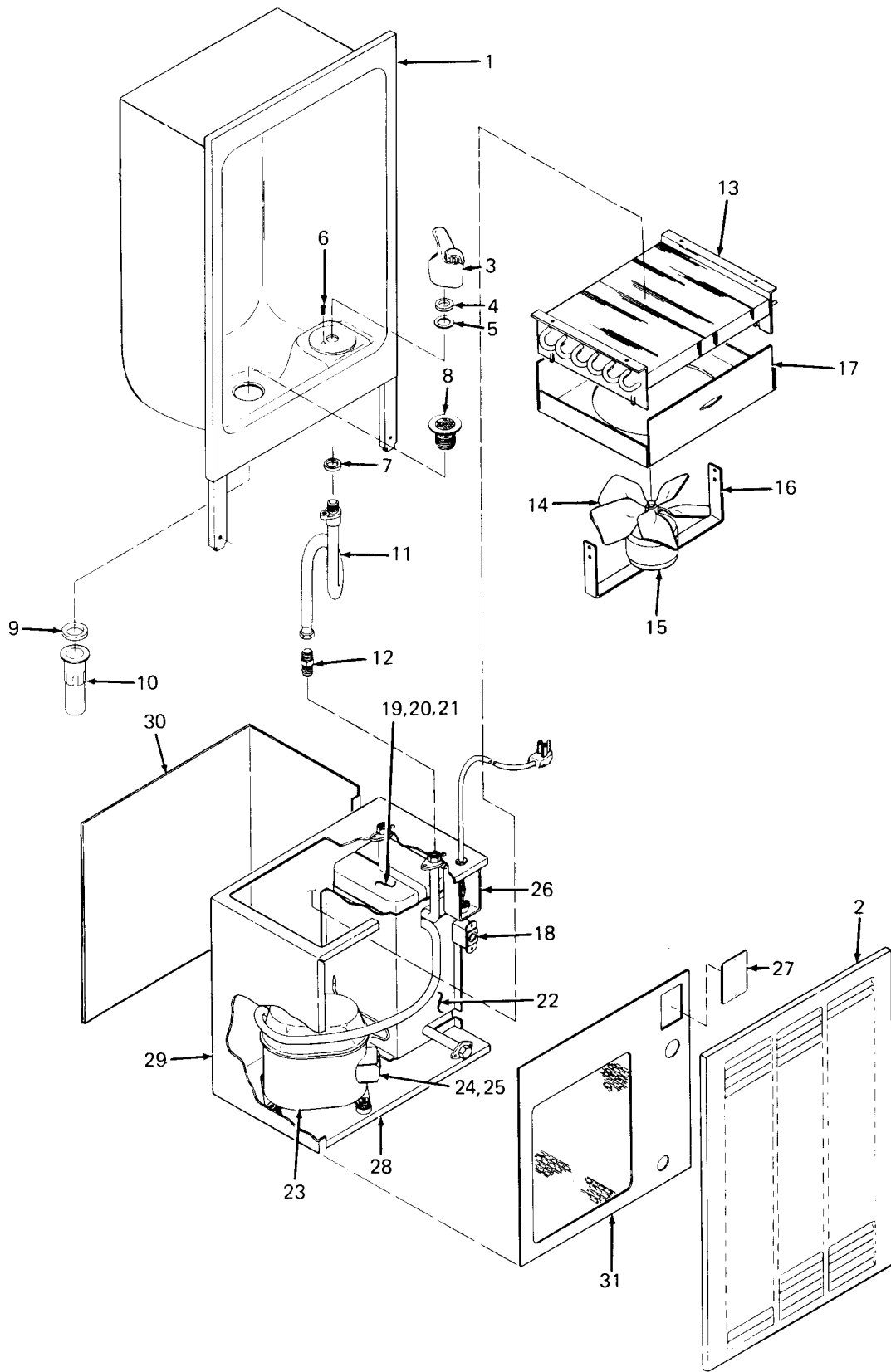
SPECIFICATIONS

Voltage (FP8F-50)	220-240 VAC/50 Hertz
Voltage	115 VAC ±10%/1PH/60 Hertz
Size (Approx)	55" H., 18" W., 11" D.
Shipping Weight (Approx)	96 LBS.

	Models	FP8F	FP12F	FP8F-50
Cold Water Capacity (GPH)		8	12	8
Compressor (HP)		1/5	1/3	1/4
Compressor Amps (Full Load)		5.0	8.3	2.6
Refrigerant		R-12	R-500	R-12
Refrigerant Charge		6-1/2 OZ.	5-1/2 OZ.	6-1/2 OZ.

*A.R.I. Rating: Room Temperature 90°F; Supply Water Temperature 80°F; Drinking Water Temperature 50°F.

Specifications subject to change without notice.



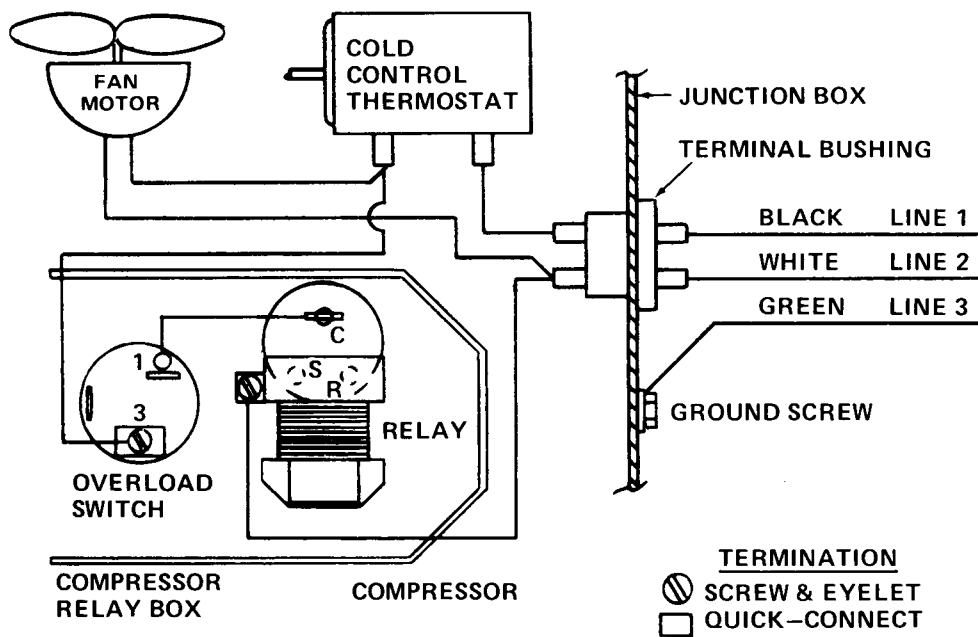
PARTS LIST

ITEM NO.	DESCRIPTION	FP8F	FP12F	FP8F-50
1	Top Assembly	027712-001	027712-001	027712-001
2	Grille	027719-001	027719-001	027719-001
3	Bubbler Valve	023570	023570	023570
4	Valve Body Gasket	008983	008983	008983
5	Friction Washer	009281	009281	009281
6	Valve Spud Screw	026680-005	026680-005	026680-005
7	Gasket (Under Top)	010545	010545	010545
8	Strainer Assembly	024207	024207	024207
9	Waste Gasket	011416	011416	011416
10	Waste Tail Piece	019915	019915	019915
11	Cooler to Bubbler Tube	027885-001	027885-001	027885-001
12	Male Flare Fitting Connector	007317-001	007317-001	007317-001
13	Condenser	025757	027896-001	025757
14	Fan Blade	024033	024033	024033
15	Fan Motor	027354-009	027354-017	027354-012
16	Fan Motor Bracket	017530	017530	017530
17	Fan Shroud	017821	017821	017821
18	Cold Control	027040-007	027040-007	027040-005
19	Cooling Tank Insulation, RH	025114	025114	025114
20	Cooling Tank Insulation, LH	025115	025115	025115
21	Insulated Cooling Tank Assembly	025630	027899-001	025630
22	Fire Barrier	025620	025620	025620
23	Compressor Assembly (Includes Items 24 and 25)	027256-002	027495-005	027495-015
24	Overload	017977	019603	022314
25	Relay	017978	019434	017289
26	Utility Box	025639	025639	025639
27	Utility Box Cover	023877	023877	023877
28	Base	025614	025614	025614
29	Top and Side Panel	025615	025615	025615
30	Rear and Side Panel	025616	025616	025616
31	Front Panel Assembly	025619	025619	025619
NOT SHOWN	Shield	025734	025734	025734
	Heat Exchanger	025612	027914-001	---

SERVICE CHECK CHART

TROUBLE	PROBABLE CAUSE	REMEDY
Unit not running	No electrical power Defective cold control Defective relay	Check power source Check that cold control is not in off position Replace Replace
Unit running but not cooling	Refrigerant leak or low refrigerant	Add refrigerant
Unit running continuously	Defective cold control Low refrigerant	Replace Add refrigerant

ELECTRICAL DIAGRAM



EBCO[®] MANUFACTURING COMPANY

265 N. Hamilton Rd. • P.O. Box 13150 • Columbus, OH 43213-0150 • 614/861-1350 • Fax: 614/861-5017