



AQUARIUS

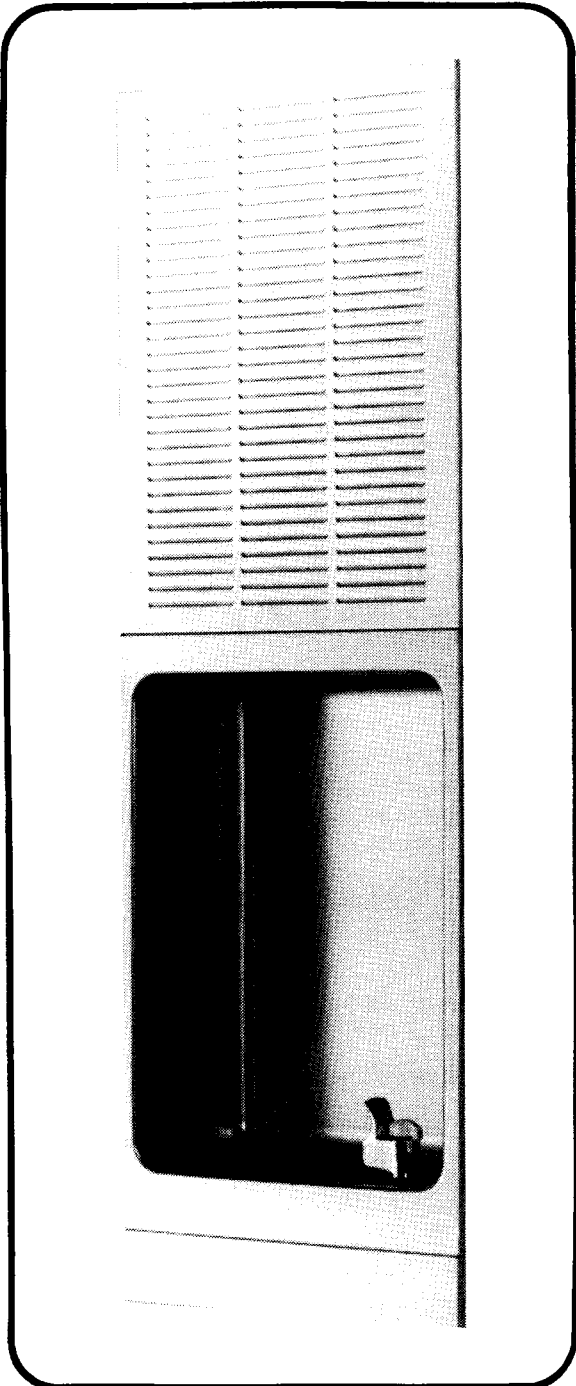
Kelvinator

White-Westinghouse®

ILLUSTRATED PARTS BREAKDOWN

WATER COOLER MODELS:

FP8WF-001 PLF8WF PLF8WF-001

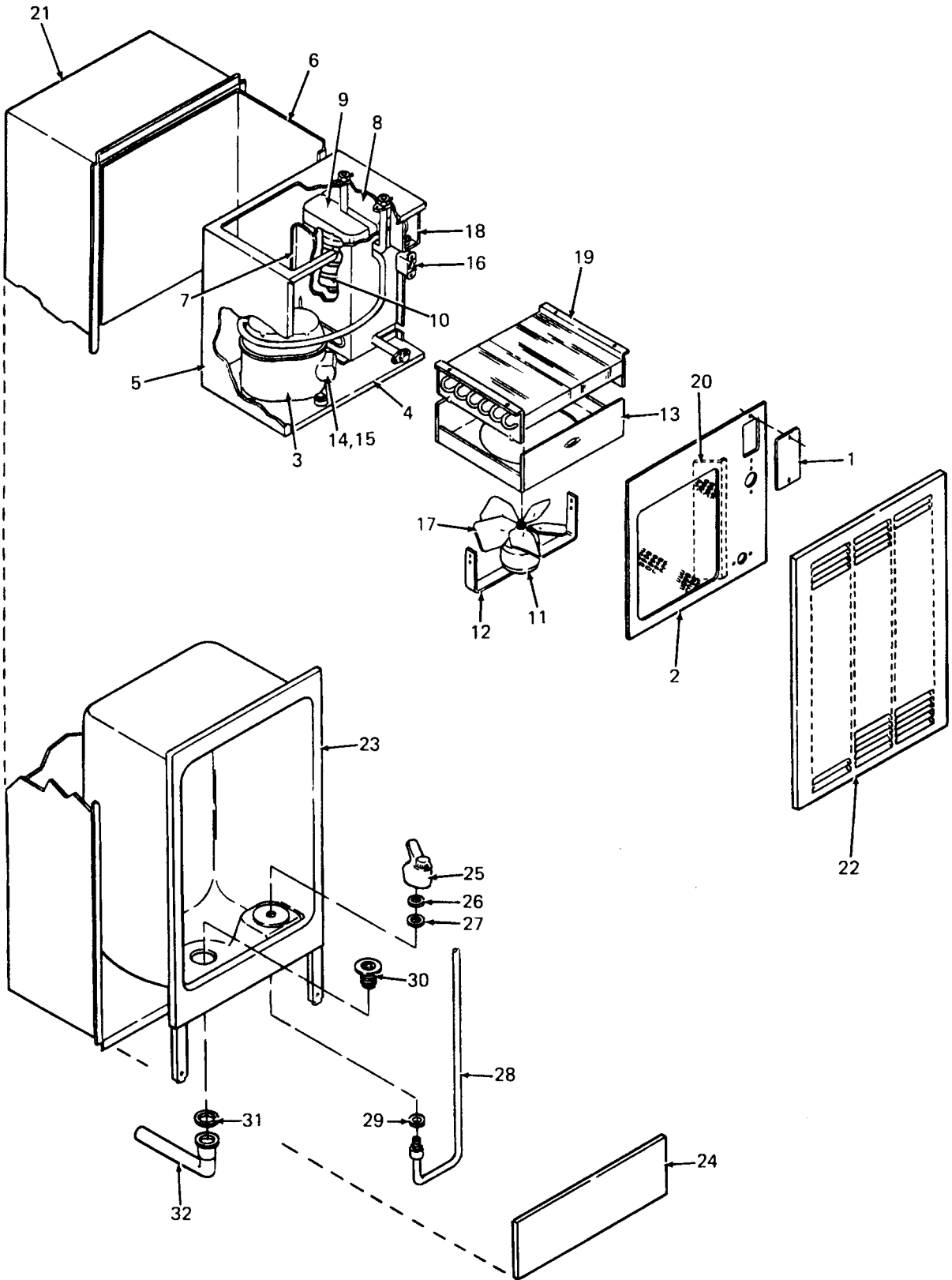


SPECIFICATIONS

| | |
|--------------------------|---------------------------|
| Voltage | 115 VAC ±10%/1PH/60 Hertz |
| Size (Approx) | 60" H., 18" W., 11" D. |
| Shipping Weight (Approx) | 92 LBS. |
| Cold Water Capacity | 8 GPH |
| Compressor | 1/5 HP |
| Compressor (Full Load) | 5.0 Amps |
| Refrigerant | R-12 |
| Refrigerant Charge | 5 OZ. |

*A.R.I. Rating: Room Temperature 90°F; Supply Water Temperature 80°F; Drinking Water Temperature 50°F.

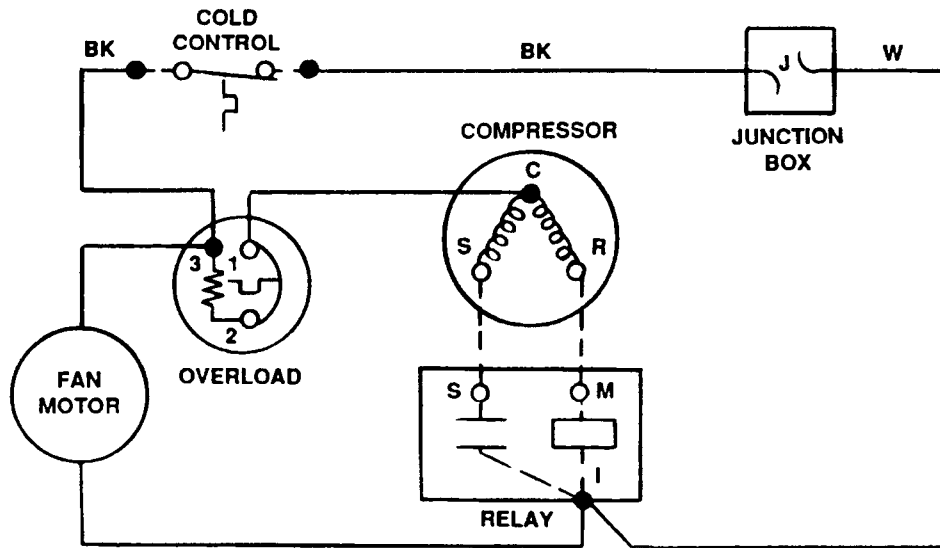
Specifications subject to change without notice.



PARTS LIST

| ITEM NO. | DESCRIPTION | FP8WF PLF8WF SERIES |
|----------------------|--|---------------------------|
| 1 | Utility Box Cover | 023877 |
| 2 | Front Panel | 025619 |
| 3 | Compressor Assembly (Includes Items 14 and 15) | 027256-002 |
| 4 | Base | 028820-001 |
| 5 | Top and Side Panel | 025615 |
| 6 | Rear and Side Panel | 025616 |
| 7 | Fire Barrier | 025620 |
| 8 | Cooling Tank Insulation, RH | 028660-001 |
| 9 | Cooling Tank Insulation, LH | 028661-001 |
| 10 | Insulated Cooling Tank Assembly | 028816-001 |
| 11 | Fan Motor Assembly | 027354-009 |
| 12 | Fan Motor Bracket | 017530 |
| 13 | Fan Shroud | 017821 |
| 14 | Overload | 017977 |
| 15 | Relay | 017978 |
| 16 | Cold Control | 027040-007 |
| 17 | Fan Blade | 024033 |
| 18 | Utility Box | 025639 |
| 19 | Condenser | 025757 |
| 20 | Shield | 025734 |
| 21 | Sleeve Assembly Complete Fully Rec | 028285-001 |
| 22 | Grille - Stainless Steel | 027719-001 |
| | Grille - Bronze | 027719-002 |
| 23 | Top Assembly - Stainless Steel | 029643-001 |
| | Top Assembly - Bronze | 029643-002 |
| 24 | Plumbing Cover Panel - Stainless Steel | 028228-001 |
| | Plumbing Cover Panel - Bronze | 028228-002 |
| 25 | * 12000 Bubbler Valve - Brite | 023570 |
| | * 12000 Bubbler Valve - Bronze | 023575 |
| | * 12000A Bubbler Valve - Brite (PLF-001 Series) | 030774-002 |
| | * 12000A Bubbler Valve - Bronze (PLF-001 Series) | 030774-010 |
| 26 | * Valve Body Gasket | 008983 |
| 27 | * Friction Washer | 009281 |
| 28 | * Cooler to Bubbler Tube Assembly | 029645-001 |
| 29 | * Bubbler Spud Gasket | 028706-001 |
| 30 | * Strainer - Stainless Steel | 024269 |
| | * Strainer - Bronze | 025962 |
| 31 | * Gasket | 011416 |
| 32 | * Waste Assembly | 028316-001 |
| NOT SHOWN | | |
| | Plumbing & Fitting Kit - Stainless Steel | 029973-004 |
| | Plumbing & Fitting Kit - Bronze | 029973-005 |
| | * Included in Plumbing & Fitting Kit | |

ELECTRICAL DIAGRAM



OASIS® & AQUARIUS® are registered trademarks of EBCO Manufacturing Company
 The trademarks Kelvinator® and White-Westinghouse® are used under license from White Consolidated Industries, Inc.

EBCO® **MANUFACTURING COMPANY**

265 N. Hamilton Rd. • P.O. Box 13150 • Columbus, OH 43213-0150 • 614/861-1350 • Fax: 614/861-5017

Copyright 1993 EBCO Manufacturing Co.