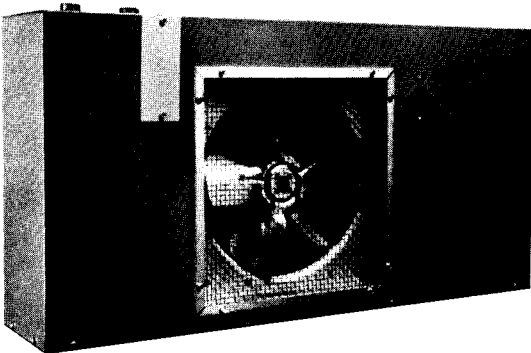


# SERVICE INSTRUCTIONS

...with Illustrated Parts Breakdown

# EBCO<sup>®</sup>

## WATER COOLER MODELS: IWR6, IWR10



### DESCRIPTION

Models IWR6 and IWR10 are designed for in-a-wall or remote installations with a drinking fountain.

The refrigeration system is hermetically sealed at manufacture and is generally considered to be non-field serviceable. The air-cooled compressor pumps refrigerant through the fan cooled condenser and capillary tube (Expansion Valve) to the cooling tank evaporator. The evaporator is wrapped around the cooling tank for high efficiency.

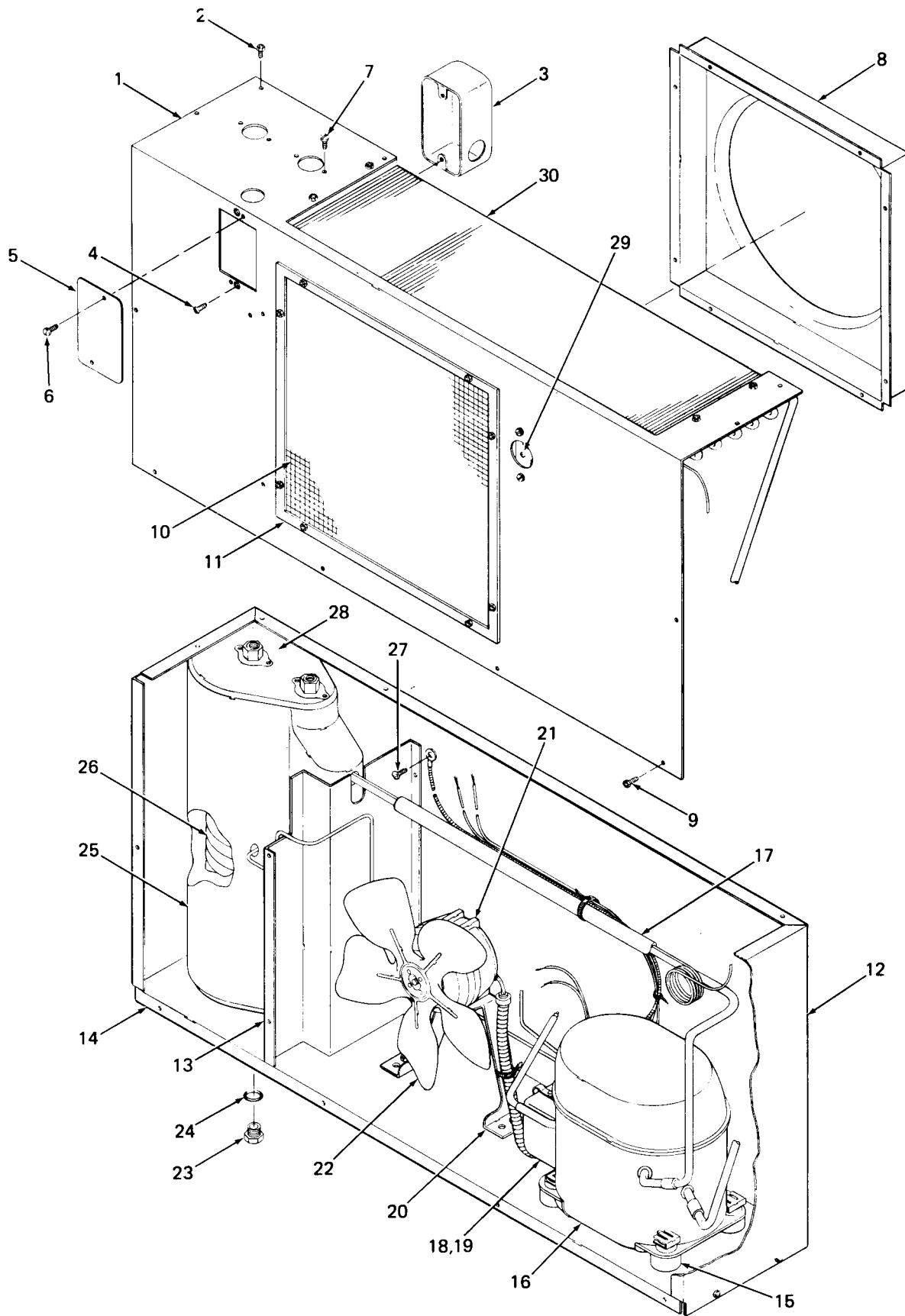
The electrical circuit includes automatic overload protection, and an adjustable cold control for water temperature regulation.

### SPECIFICATIONS

Voltage	115 VAC $\pm 10\%$ /1PH/60 Hertz
Size	15" H., 29-1/2" W., 6-1/2" D.
Shipping Weight	75 LBS.
Cold Water Capacity	IWR6, 6 GPH IWR10, 10 GPH
Compressor	1/4 HP
Compressor	6.0 Amps
Refrigerant	R-500
Refrigerant Charge	4-5/8 OZ
Compressor Oil Charge	10 OZ

### COLD CONTROL

Full Cold Position Cut-Out	17.5°F $\pm 2^\circ$
Full Cold Position Cut-In	42.5°F $\pm 2.5^\circ$
Full Cold Position Differential	25°F $\pm 2.5^\circ$
Full Warm Position Cut-In	49.5°F $\pm 3^\circ$
Maximum Operating Temperature	60°F



**MODELS: IWR6, IWR10**

## REPLACEMENT PARTS LIST

ITEM NO.	DESCRIPTION	IWR6 IWR10
<b>CABINET ASSEMBLY</b>		
1	Front and Top Panel .....	023682
2	Screw (5 Required) .....	021936
3	Utility Box .....	020305-002
4	Screw (2 Required) .....	026680-002
5	Utility Box Cover .....	023877
6	Screw (2 Required) .....	026630-007
7	Screw (4 Required) .....	026670-006
8	Shroud .....	023685
9	Screw (4 Required) .....	026670-006
10	Fan Guard .....	023796
11	Fan Guard Frame Angle (Both part numbers are required) .....	024418
	Fan Guard Frame Angle (Both part numbers are required) .....	024419
12	Wrapper .....	023684
13	Barrier .....	023992
14	Base Plate Assembly .....	023801
<b>MECHANICAL</b>		
15	Compressor Grommet .....	018566
16	Compressor (Includes Items 18 and 19) .....	027495-007
17	Heat Exchanger Assembly .....	023693
18	Overload .....	017977
19	Relay .....	018461
20	Fan Motor Bracket .....	017557
21	Fan Motor Assembly .....	027354-017
22	Fan Blade .....	022059
23	Pipe Plug .....	020966
24	O-Ring Gasket .....	020965
25	Front Cooling Tank Insulation .....	023722
26	Cooling Tank Assembly and Heat Exchanger .....	023717
27	Screw .....	026660-011
28	Rear Cooling Tank Insulation .....	023721
29	Cold Control .....	027040-001
30	Condenser .....	023686

## SERVICE

### ADJUSTMENTS

Cold water temperature regulated by cold control (29) located on front side of unit.

### DISASSEMBLY

Disassembly follows, unless otherwise noted, the sequence of assigned figure numbers on the exploded view illustration.

To remove front panel (1), pull screws (2, 7, and 9), and pull panel away. To remove utility cover (5), pull screws (6), and pull panel away. To remove cabinet wrapper (12), pull screws, and lift wrapper.

### CLEANING

Condenser — to clean condenser, remove front and wrapper panels per disassembly. Clean with a brush or vacuum cleaner, or by blowing compressed air thru in reverse of normal flow. Normal flow is from outside the cooler towards the fan blades. Remove all dirt and lint accumulations.

### LUBRICATION

This unit incorporates permanently lubricated bearings at all moving parts. No lubrication is required during the life of the water cooler.

### REPLACEMENT

Replace parts as required and in accordance with disassembly and reassembly instructions. Use only approved replacements.

### REASSEMBLY

Reassemble in reverse order of disassembly. Install insulating materials around cold tubing as required. Route and secure electrical wires to insure that they will not be damaged by the fan blades or by the installation of panels.

### ORDERING PARTS

When ordering replacement parts, give part number, description, quantity desired, Model and serial numbers of the water cooler, and any accessories included with the cooler. Parts orders subject to the minimum billing required at time of order.

**EBCO**<sup>®</sup> **MANUFACTURING COMPANY**

265 NORTH HAMILTON ROAD • COLUMBUS, OHIO 43213 • PHONE 614/861-1350 • CABLE: EBCO • TELEX: 246637