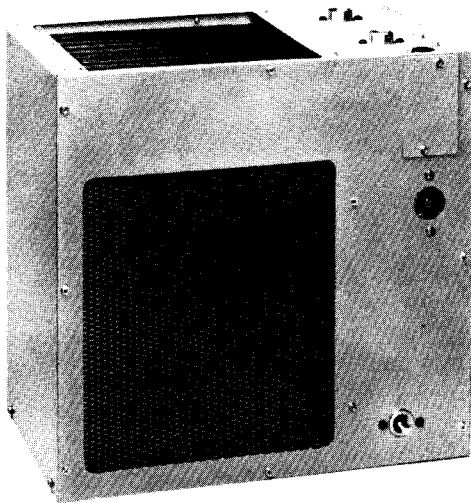


# SERVICE INSTRUCTIONS

...with Illustrated  
Parts Breakdown

# EBCO<sup>®</sup>

## WATER COOLER MODELS: IWR8, IWR8-50



## DESCRIPTION

These models provide drinking water cooled to 50° F at 8 gallons per hour. These units are designed for remote or in-a-wall applications.

The refrigeration system is hermetically sealed at manufacture and is generally considered to be non-field serviceable. The air-cooled compressor pumps refrigerant through the fan-cooled condenser and a capillary tube (expansion valve) to the cooling tank evaporator. The evaporator is wrapped around the cooling tank for high efficiency.

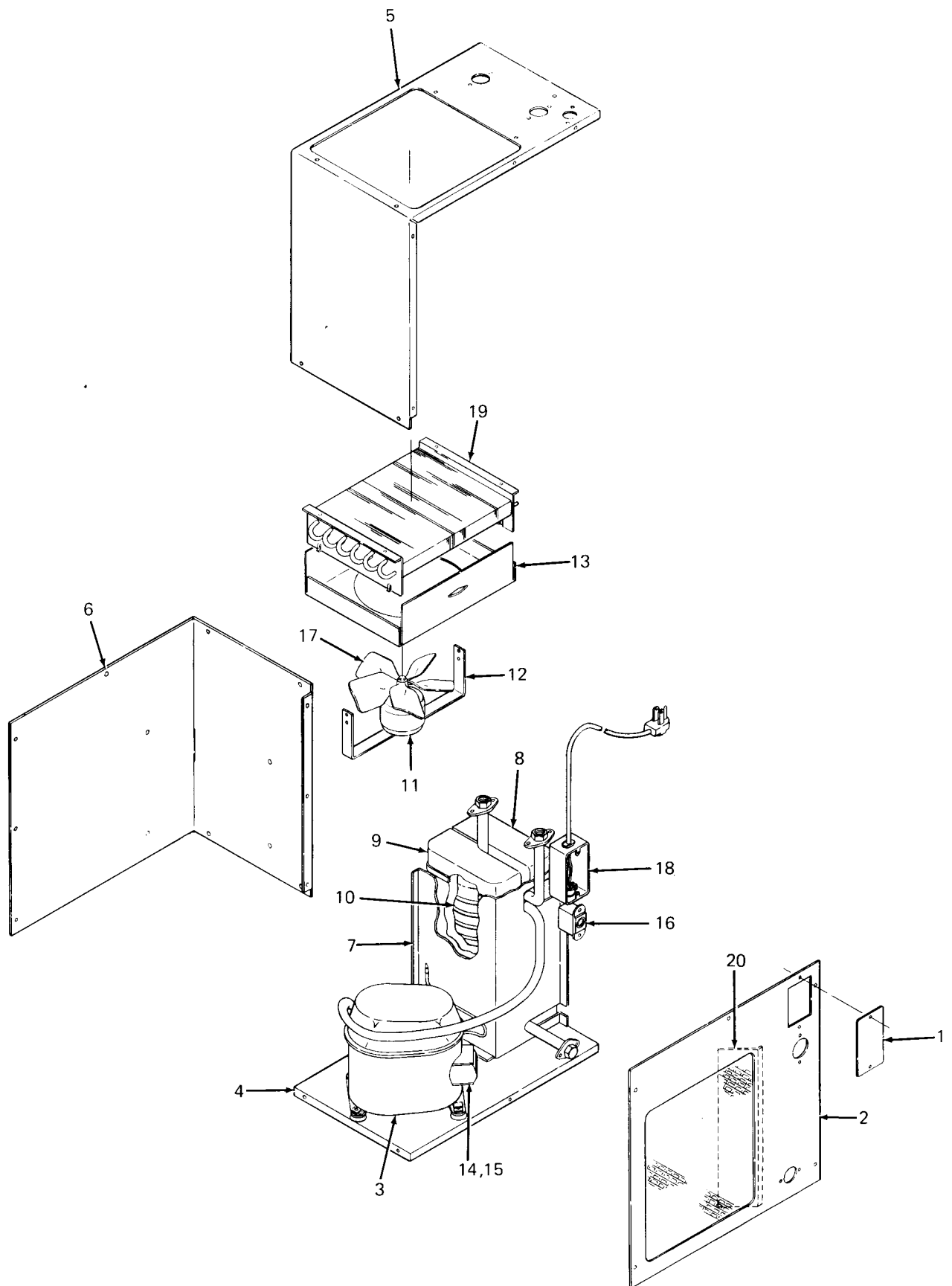
The electrical circuit includes automatic overload protection, and an adjustable cold control for water temperature regulation.

## SPECIFICATIONS

Voltage**	115 VAC ±10%/1PH/60 Hertz
Size	16" H., 16-1/2" W., 10-1/2" D.
Shipping Weight (Approx)	49 LBS.
Cold Water Capacity*	8 GPH
Compressor	1/5 HP
Compressor (Full Load)	5 Amps
Refrigerant	R-12
Refrigerant Charge	6-1/2 OZ.

\*A.R.I. Rating: Room Temperature 90° F; Supply Water Temperature 80° F; Drinking Water Temperature 50° F.

Specifications subject to change without notice.



## PARTS LIST

ITEM NO.	DESCRIPTION	IWR8	IRW8-50
1	Cover, Utility Box	023877	023877
2	Front Panel Assembly	025619	025619
3	Compressor Assembly (Includes Items 14 and 15)	027256-002	027495-015
4	Base	025614	025614
5	Panel, Top and Side	025615	025615
6	Panel, Rear and Side	025616	025616
7	Fire Barrier	025620	025620
8	Insulation, Cooling Tank, Right Side	025114	025114
9	Insulation, Cooling Tank, Left Side	025115	025115
10	Cooling Tank and Heat Exchanger	025624	025624
11	Motor, Fan	027354-009	027354-012
12	Bracket, Fan Motor	017530	017530
13	Shroud, Fan	017821	017821
14	Overload	017977	022314
15	Relay	017978	017289
16	Control, Cold	027040-007	027040-005
17	Blade, Fan	024033	024033
18	Box, Utility	025639	025639
19	Condenser	025757	025757
20	Shield	025734	025734

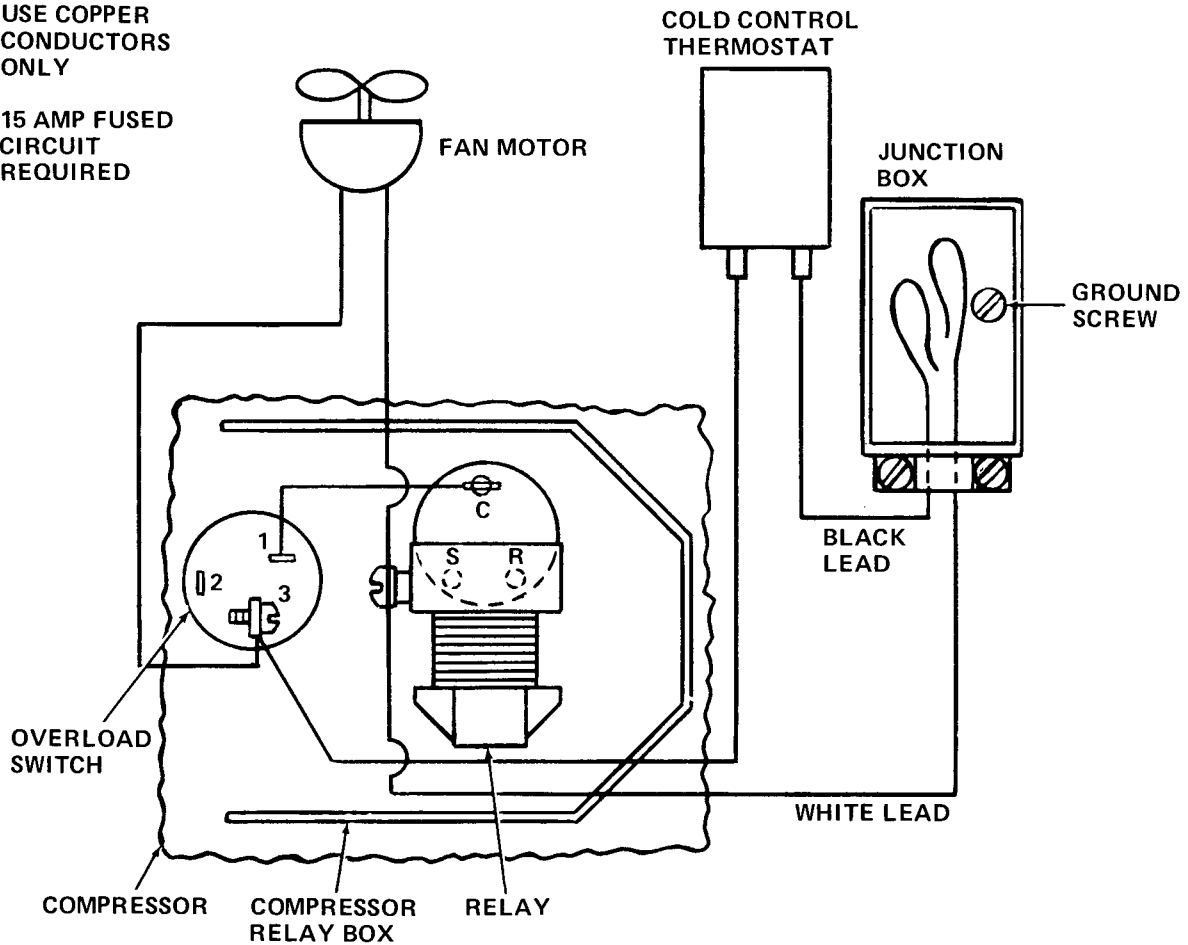
## SERVICE CHECK CHART

TROUBLE	PROBABLE CAUSE	REMEDY
Unit not running	No electrical power  Defective cold control Defective relay	Check power source Check that cold control is not in off position Replace Replace
Unit running but not cooling	Refrigerant leak or low refrigerant	Add refrigerant
Unit running continuously	Defective cold control Low refrigerant	Replace Add refrigerant

### ELECTRICAL DIAGRAM

USE COPPER CONDUCTORS ONLY

15 AMP FUSED CIRCUIT REQUIRED



**EBCO**® MANUFACTURING COMPANY

265 N. Hamilton Rd. • P.O. Box 13150 • Columbus, OH 43213 0150 • 614/861-1350 • Cable: EBCO • Telex: 246637