



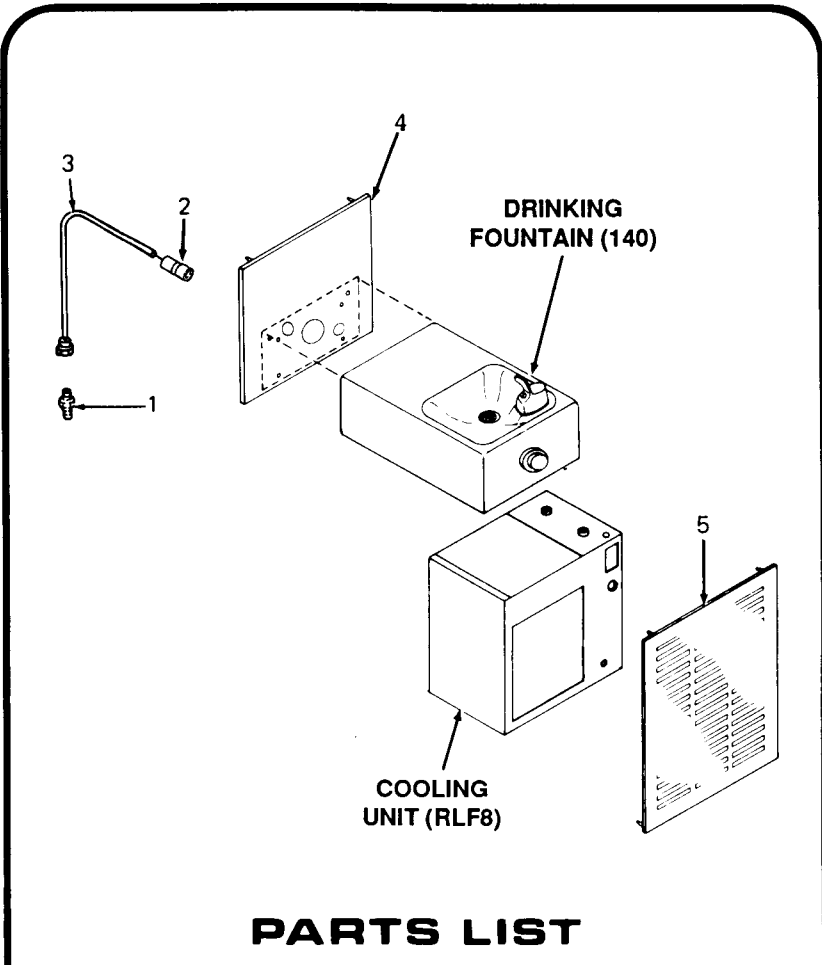
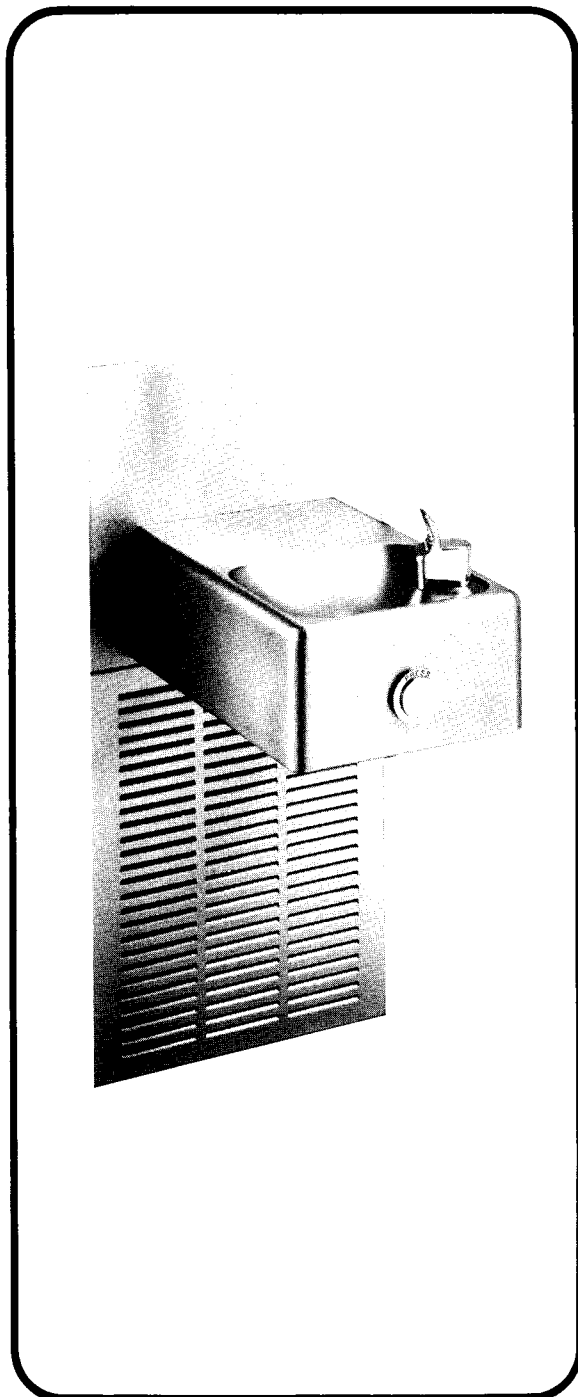
AQUARIUS

Kelvinator

White-Westinghouse®

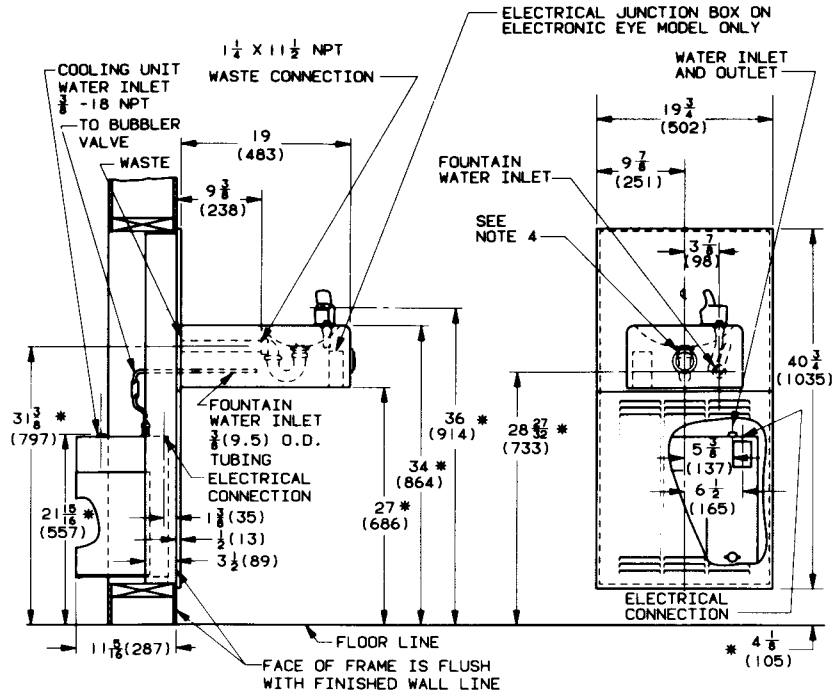
ILLUSTRATED PARTS BREAKDOWN

**MODULAR WHEELCHAIR WATER COOLER MODELS:
M8SBPM M8SBEE**



ITEM NO.	DESCRIPTION	
1	Connector Male Flare Fitting, **3/8 OD x 3/8 NPT	021558
2	Coupling, 3/8 X 3/8	029170-001
3	Unit to Bubbler Tube Assembly	029264-002
4	Upper Panel Assembly (140)	027624-005
5	Louvered Lower Panel	027697-001
	Cooling Unit (RLF8)	Form No. 2314
	Drinking Fountain (140)	Form No. 6033

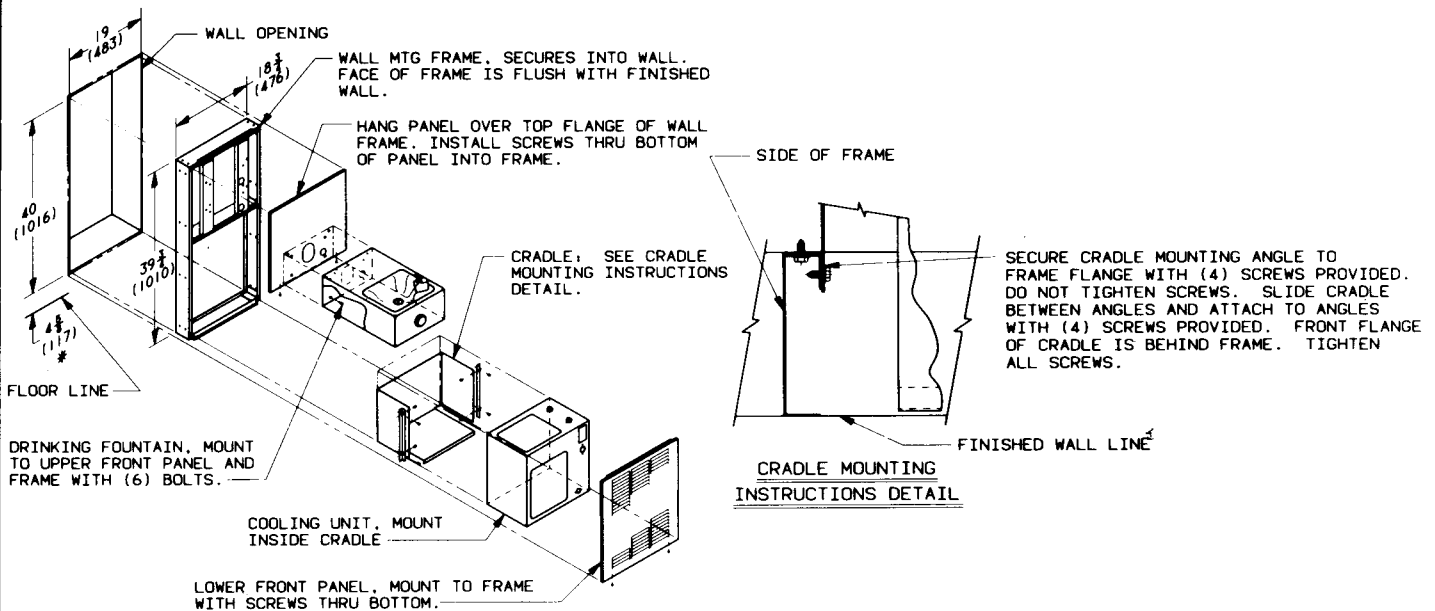
ROUGHING IN & DIMENSIONAL DRAWING



NOTES:

1. ALL DIMENSIONS ARE IN INCHES.
2. DIMENSIONS IN PARENTHESIS () ARE IN MILLIMETERS.
3. STOP VALVE NOT PROVIDED WITH UNIT.
4. 2" (51) DIA. PUSHBUTTON OR TWO 5/16" (14) DIA. ELECTRONIC EYES. PUSHBUTTON SHOWN.
- * 5. RECOMMENDED ADULT HEIGHT INSTALLATION SHOWN. ADJUST VERTICAL DIMENSIONS AS REQUIRED TO COMPLY WITH FEDERAL, STATE, AND LOCAL CODES.

WALL OPENING & ASSEMBLY



OASIS® & AQUARIUS® are registered trademarks of EBCO Manufacturing Company
 The trademarks Kelvinator® and White-Westinghouse® are used under license from White Consolidated Industries, Inc.

EBCO® MANUFACTURING COMPANY

265 N. Hamilton Rd. • P.O. Box 13150 • Columbus, OH 43213-0150 • 614/861-1350 • Fax: 614/861-5017

Printed in U.S.A.
 Copyright 1994 EBCO Manufacturing Co.