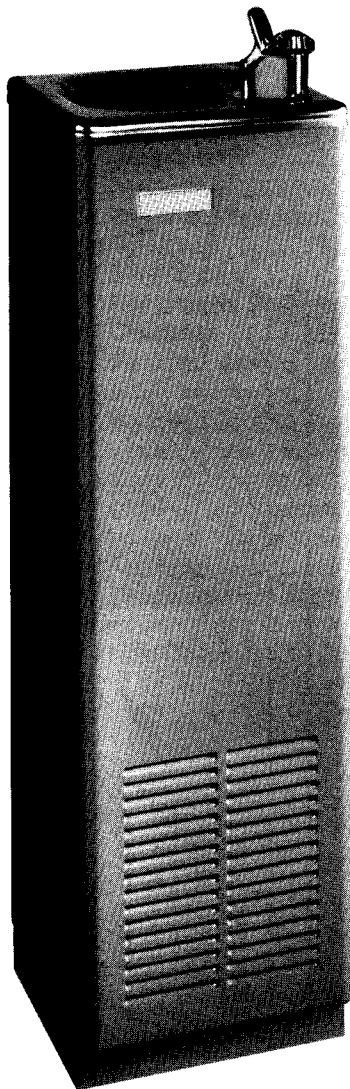


SERVICE INSTRUCTIONS

...with Illustrated Parts Breakdown

EBCO[®]

**WATER COOLER MODELS:
CP5-1 (Z), CP5-2, CP10-1
AND CP10-1-D-50/60**



DESCRIPTION

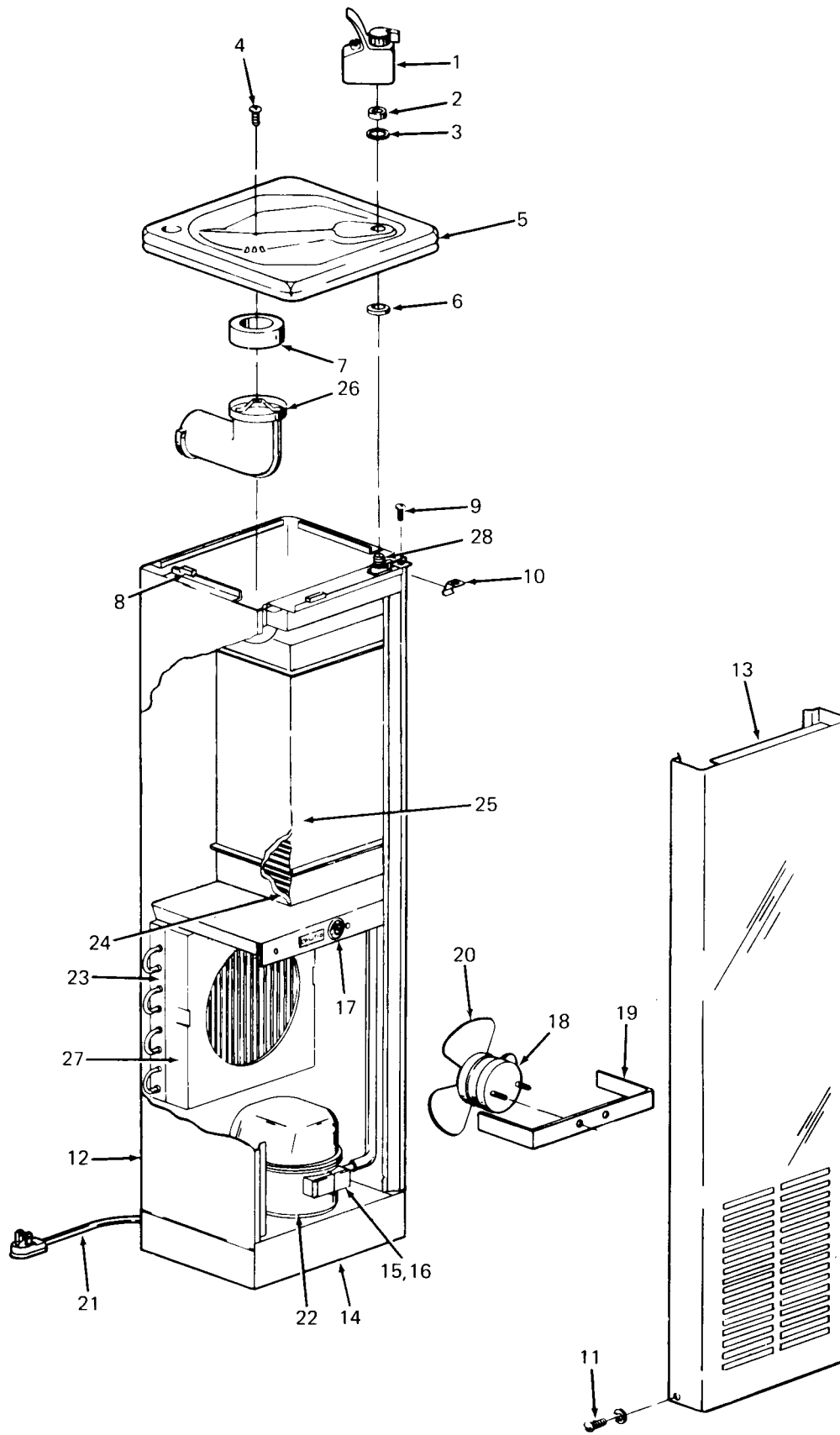
These models provide drinking water cooled to 50°F at 5 or 10 gallons per hour. These units are free-standing and require connections to supply water, electrical power, and waste drain.

The refrigeration system is hermetically sealed at manufacture and is generally considered to be non-field-serviceable. The air-cooled compressor pumps refrigerant through the fan-cooled condenser and a capillary tube (expansion valve) to the cooling tank evaporator. The evaporator is wrapped around the cooling tank for high efficiency.

The electrical circuit includes automatic overload protection and adjustable cold control for water temperature regulation.

SPECIFICATIONS

Voltage	
CP5-CP10	115 VAC ±10%/1PH/60 Hertz
CP10-50/60	220 VAC ±10%/1PH/50/60 Hertz
Size	40" H., 12" W., 12" D.
Shipping Weight (Approx)	80 LBS.
Cold Water Capacity	5 or 10 GPH
Compressor	
CP5	1/5 HP
CP10	1/4 HP
Compressor (Full Load)	
CP5-1	5.0 Amps
CP5-2	4.2 Amps
CP10-1	6.0 Amps
CP10-50/60	3.0 Amps
Refrigerant	
CP5	R-12
CP10-CP10-50/60	R-500
Refrigerant Charge	
CP5-1	4-1/2 OZ.
CP5-2	4-3/4 OZ.
CP10	5-1/2 OZ.
CP10-50/60	5-3/4 OZ.



REPLACEMENT PARTS LIST

ITEM NO.	DESCRIPTION	CP5-2 CP5-1(Z)	CP10-1	CP10-1-D-50/60
1	12000 Bubbler Valve	026551-002	026551-002	026551-002
2	Valve Body Gasket	008983	008983	008983
3	Friction Washer	009281	009281	009281
4	Top Screw	026655-002	026655-002	026655-002
5	Top	024491	024491	024491
6	Gasket	010545	010545	010545
7	Waste Gasket	019131	019131	019131
8	Top Pad	011641	011641	011641
9	Screw	026630-011	026630-011	026630-011
10	Speed Nut Clip	012253	012253	012253
11	Screw	026630-015	026630-015	026630-015
12	Cabinet Assembly – Tan	019687-001	019687-001	019687-001
	Cabinet Assembly – Olive Beige, W/W*	024465-001	024465-001	024465-001
13	Front Panel – Tan	017528-001	017528-001	017528-001
	Front Panel – Olive Beige, W/W*	024464	024464	024464
14	Base Assembly – Tan	021412-001	021412-001	021412-001
	Base Assembly – Olive Beige, W/W*	021412-003	021412-003	021412-003
15	Starting Relay	017978	018461	---
16	Overload	017977	017977	---
16A	† Overload and Relay (Not Shown)	---	---	026309
17	Cold Control	027040-007	027040-007	027040-007
18	Fan Motor	027354-008	027354-008	027354-018
19	Fan Motor Bracket	017530	017530	017530
20	Fan Blade	022977	022977	022977
21	Service Cord	026540-005	026540-005	026540-005
22	Compressor (Includes Items 15 and 16)	027256-002	019016	027082
23	Condenser	018252	018252	018252
24	Insulated Cooling Tank Assembly (CP5-1)	024756-005	---	---
	Insulated Cooling Tank Assembly (CP5-2)	024756-009	---	---
	Insulated Cooling Tank Assembly (CP10 Models)	---	027018-001	027018-002
25	Cooling Tank Insulation (2 Required) (CP5 Models) ...	017599	---	---
	Cooling Tank Insulation, Right Hand (CP10 Models) ..	---	025114	025114
	Cooling Tank Insulation, Left Hand (CP10 Models)	---	025115	025115
26	Insulated Waste Assembly	024455	024455	024455
27	Fan Shroud	017821	017821	017821
28	Tube Assembly Bubbler Supply	---	027005	027005
NOT SHOWN				
	Hole Cover	016994	016994	016994

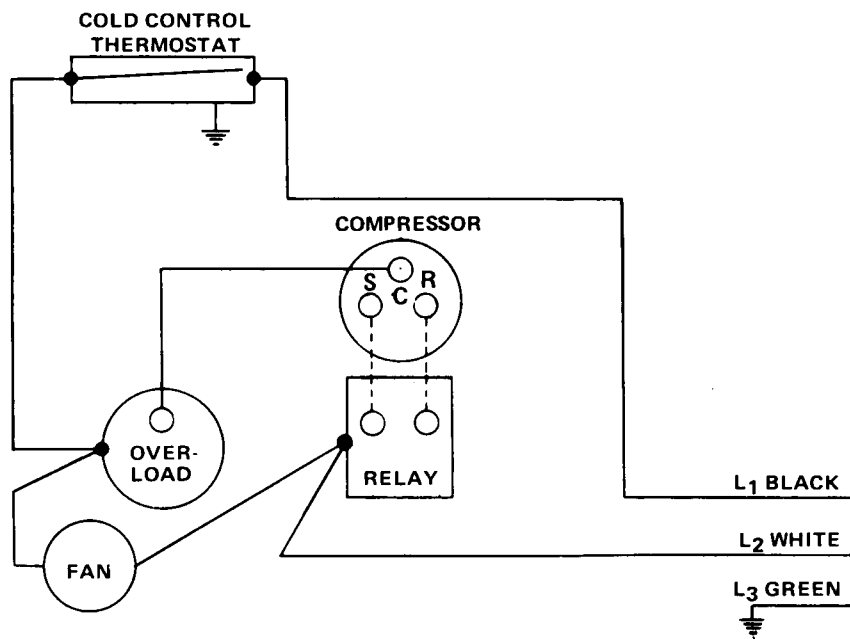
* W/W = White Westinghouse

† Used on Danfoss Compressor Models Only

SERVICE CHECK CHART

TROUBLE	PROBABLE CAUSE	REMEDY
Unit not running	No electrical power Defective cold control Defective relay	Check power source Check that cold control is not in off position Replace Replace
Unit running but not cooling	Refrigerant leak or low refrigerant	Add refrigerant
Unit running continuously	Defective cold control Low refrigerant	Replace Add refrigerant

ELECTRICAL DIAGRAM



EBCO[®] MANUFACTURING COMPANY

265 N. Hamilton Rd • P.O. Box 13150 • Columbus, OH 43213-0150 • 614/861-1350 • Cable EBCO • Telex 246637