



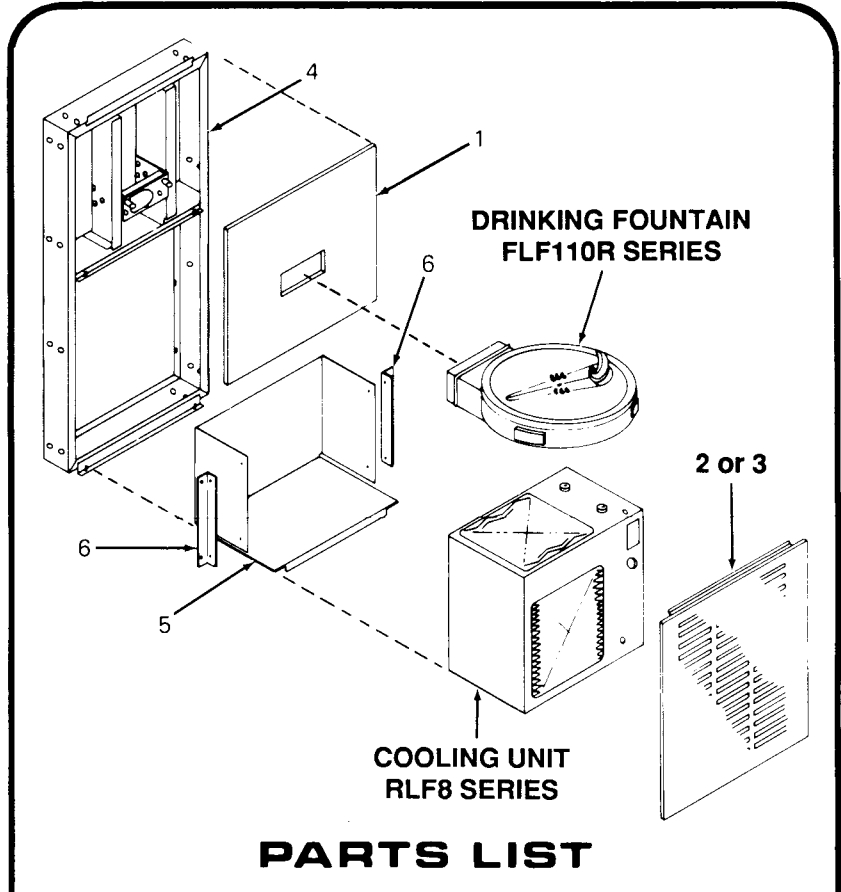
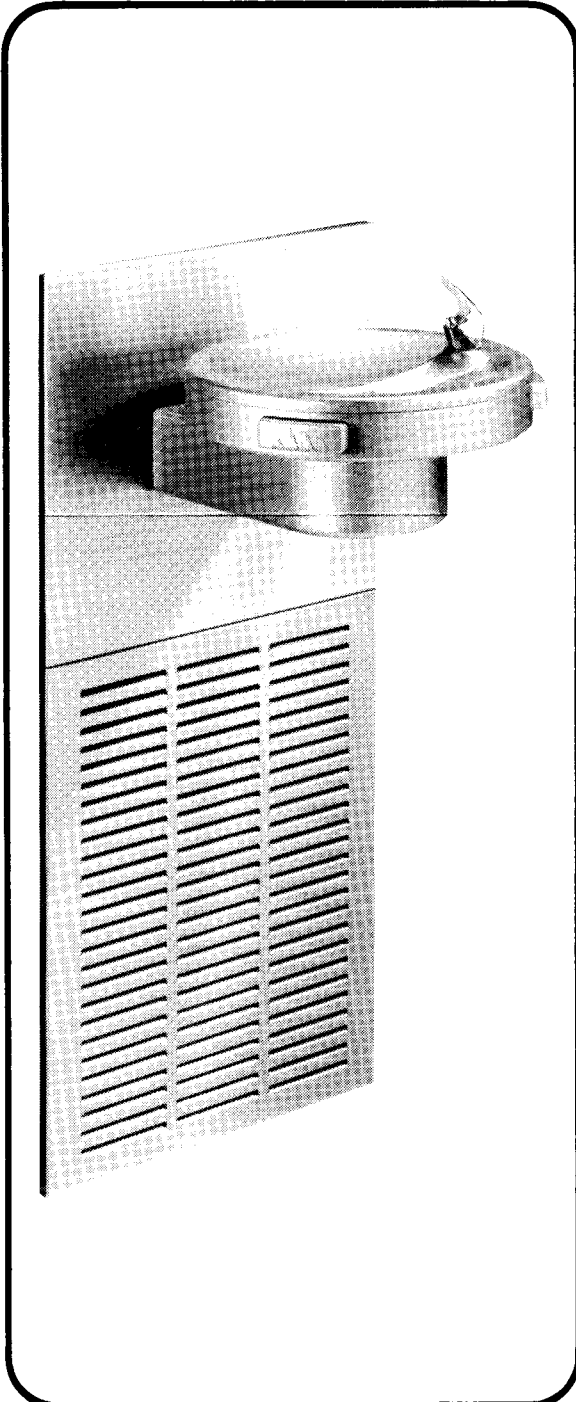
**AQUARIUS**

*Kelvinator*

White-Westinghouse®

# ILLUSTRATED PARTS BREAKDOWN

**MODULAR ON-A-WALL  
DRINKING FOUNTAIN MODELS:  
MLFMR                      MLF8MR SERIES**



ITEM NO.	DESCRIPTION	
1	Upper Panel – Stainless Steel .....	027624-002
	Upper Panel – Bronze .....	027624-004
2	Lower Panel Louvered – Stainless Steel .....	027697-001
	Lower Panel Louvered – Bronze .....	027697-002
3	Lower Panel (Fountain Only) – Stainless Steel .....	027696-001
	Lower Panel (Fountain Only) – Bronze .....	027696-002
4	Frame Assembly .....	027724-001
5	Cradle Assembly .....	025733
6	Cradle Mounting Angle .....	026210
<b>NOT SHOWN</b>		
	Cooling Unit Form Number .....	2271-1
	Drinking Fountain Form Number .....	6014-1 & 6014-2
	Male Flare Fitting Connector .....	007317-001
	Tube Assembly (Chiller to Fountain) .....	027823-002

OASIS® & AQUARIUS® are registered trademarks of EBCO Manufacturing Company  
The trademarks Kelvinator® and White-Westinghouse® are used under license from White Consolidated Industries, Inc.

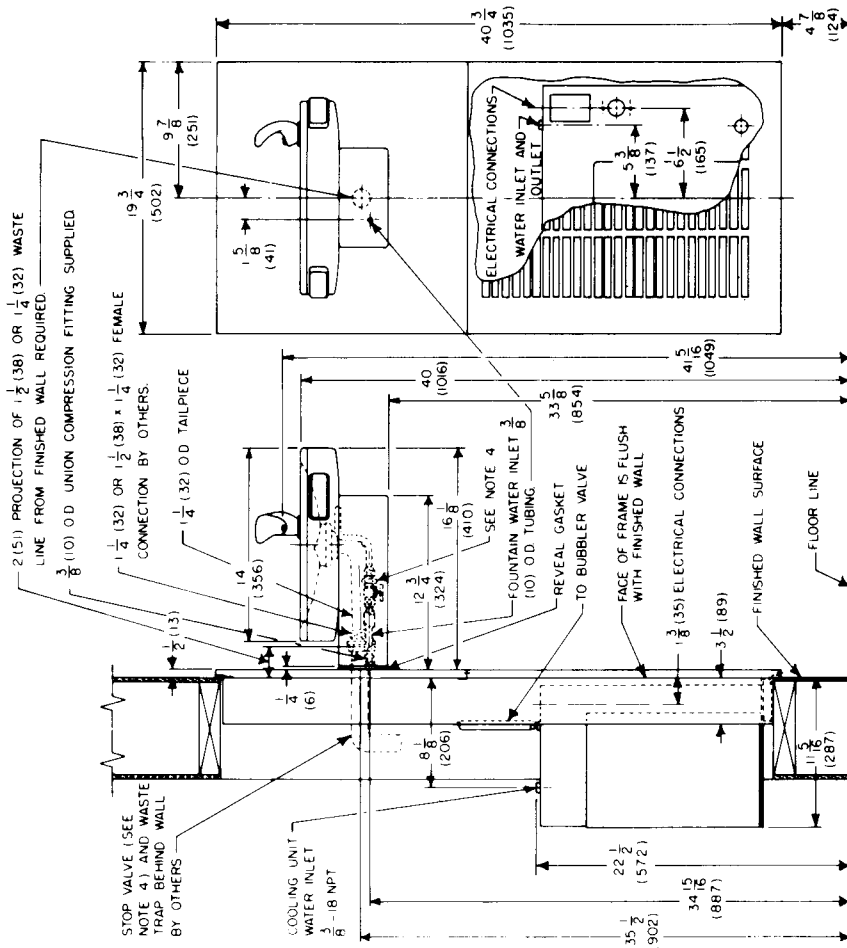
**EBCO** MANUFACTURING COMPANY

265 N. Hamilton Rd. • P.O. Box 13150 • Columbus, OH 43213-0150 • 614/861-1350 • Fax: 614/861-5017

FORM NO. 6016-2

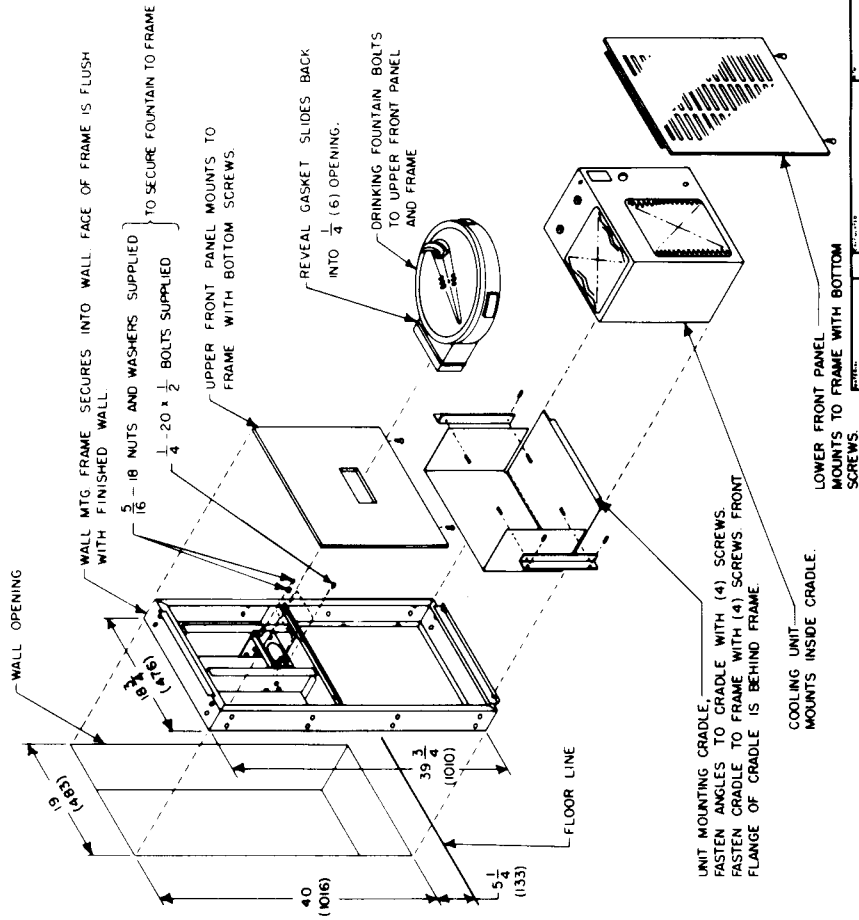
Printed in U.S.A. 7/93  
Copyright 1993 EBCO Manufacturing Co.

# DIMENSIONAL DRAWING



- NOTES 1 TRAP AND PIPE CONNECTOR TO WASTE LINE NOT PROVIDED WITH UNIT STOP VALVE (SEE NOTE 4) FOR WATER SUPPLY LINE BY OTHERS.
- 2 ALL DIMENSIONS ARE IN INCHES
- 3 DIMENSIONS IN PARENTHESES ( ) ARE IN MILLIMETERS.
- 4 WHERE PLUMBING CODES PERMIT, THE REGULATOR VALVE (SUPPLIED) MAY BE USED AS A STOP VALVE.

# WALL OPENING & ASSEMBLY



REVISIONS	
NO.	DATE

PROJECT NO. 101-115  
 DRAWING NO. 101-115-001  
 ON-A WALL FTN MOD REVISION 1  
 DATE 10/13/56  
 PROJECT ENGINEER  
 PROJECT CHECKER  
 PROJECT SUPERVISOR  
 PROJECT ADMINISTRATOR  
 027736