



**AQUARIUS**

*Kelvinator*

White-Westinghouse®

# ILLUSTRATED PARTS BREAKDOWN

MODULAR SPLIT-LEVEL

DRINKING FOUNTAIN MODELS:

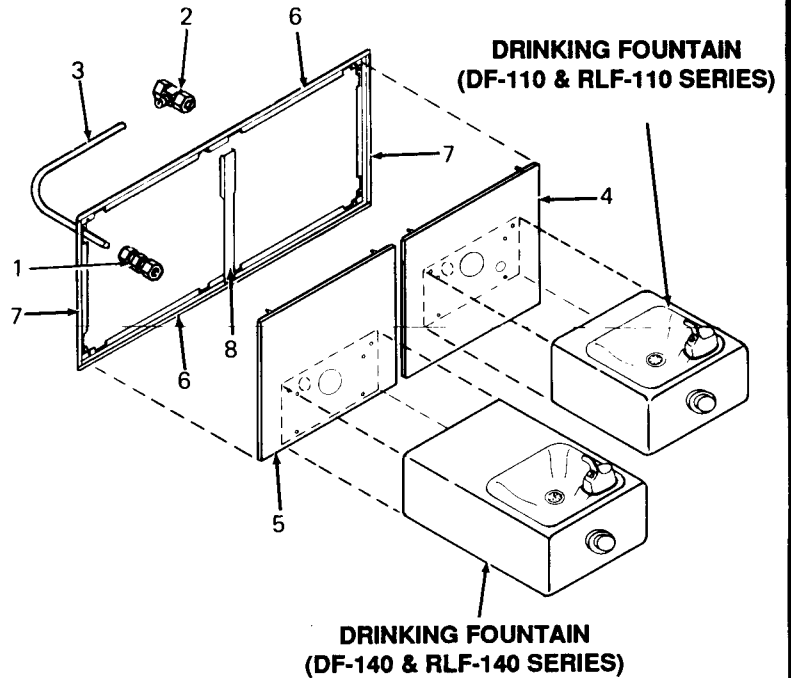
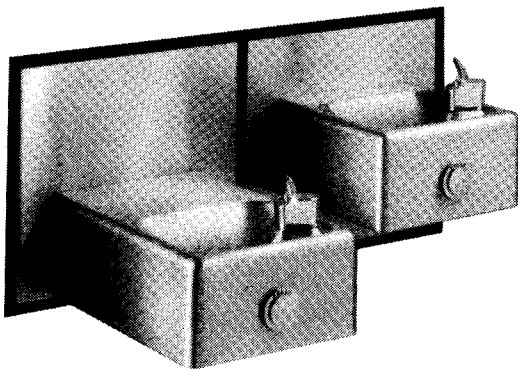
MDFSL

MDFSL-PE

MLFMSLPM

MDFSL-P

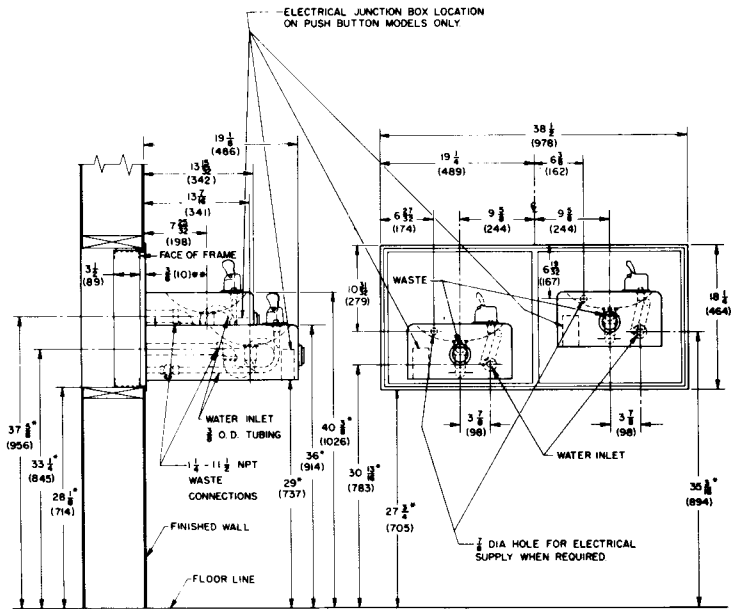
MLFMSLPE



## PARTS LIST

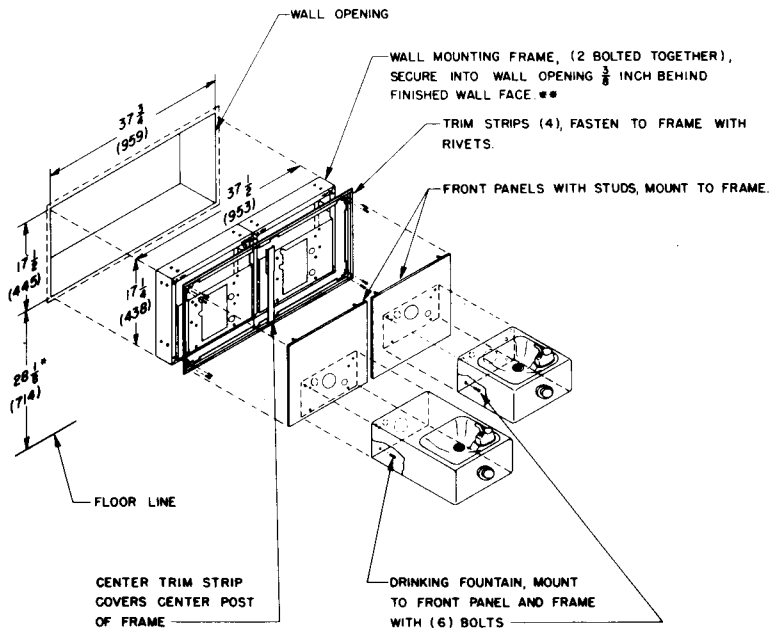
ITEM NO.	DESCRIPTION	
1	Union Compression Fitting, **3/8 OD (MDF Series) .....	025813
	Coupling, 3/8 x 3/8 (MLF Series) .....	029170-001
2	Tee Union Compression Fitting, **3/8 OD (MDF Series) ..	025814
	Tee Solder Fitting, 3/8 (MLF Series) .....	007568
3	Fountain to Fountain Tube Assembly (MDF Series) .....	025816
	Fountain to Fountain Tube Assembly (MLF Series) .....	029265-001
4	Upper Panel Assembly (For DF-110 & FLF110) .....	025606-001
5	Upper Panel Assembly (For DF-140 & FLF140) .....	025606-002
6	Top and Bottom Trim Strip .....	025321-002
7	Side Trim Strip .....	025320-001
8	Center Trim Strip .....	025319-001
	Drinking Fountain, DF-110 & FLF110 .....	Form No. 6001-6023 & 6033
	Drinking Fountain, DF-140 & FLF140 .....	Form No. 6004-6026 & 6033

ROUGHING-IN & DIMENSIONAL DRAWING



NOTES: ALL DIMENSIONS ARE IN INCHES.  
DIMENSIONS IN PARENTHESES ( ) ARE IN MILLIMETERS.  
STOP VALVES NOT PROVIDED WITH UNITS.  
\* HEIGHT MAY BE VARIED. CHECK LOCAL CODES.

WALL OPENING & ASSEMBLY



OASIS® & AQUARIUS® are registered trademarks of EBCO Manufacturing Company  
The trademarks Kelvinator® and White-Westinghouse® are used under license from White Consolidated Industries, Inc.

**EBCO**® MANUFACTURING COMPANY

265 N. Hamilton Rd. • P.O. Box 13150 • Columbus, OH 43213-0150 • 614/861-1350 • Fax: 614/861-5017

Printed in U.S.A.  
Copyright 1993 EBCO Manufacturing Co.