



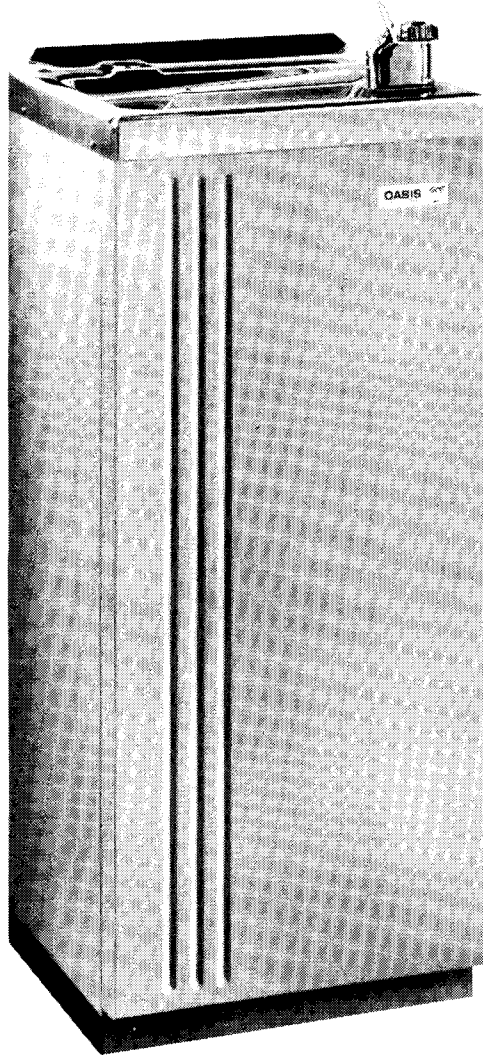
AQUARIUS

Kelvinator

White-Westinghouse®

ILLUSTRATED PARTS BREAKDOWN

**WATER COOLER MODELS:
P16FSWHD-100 P16FSWHDCP-100**

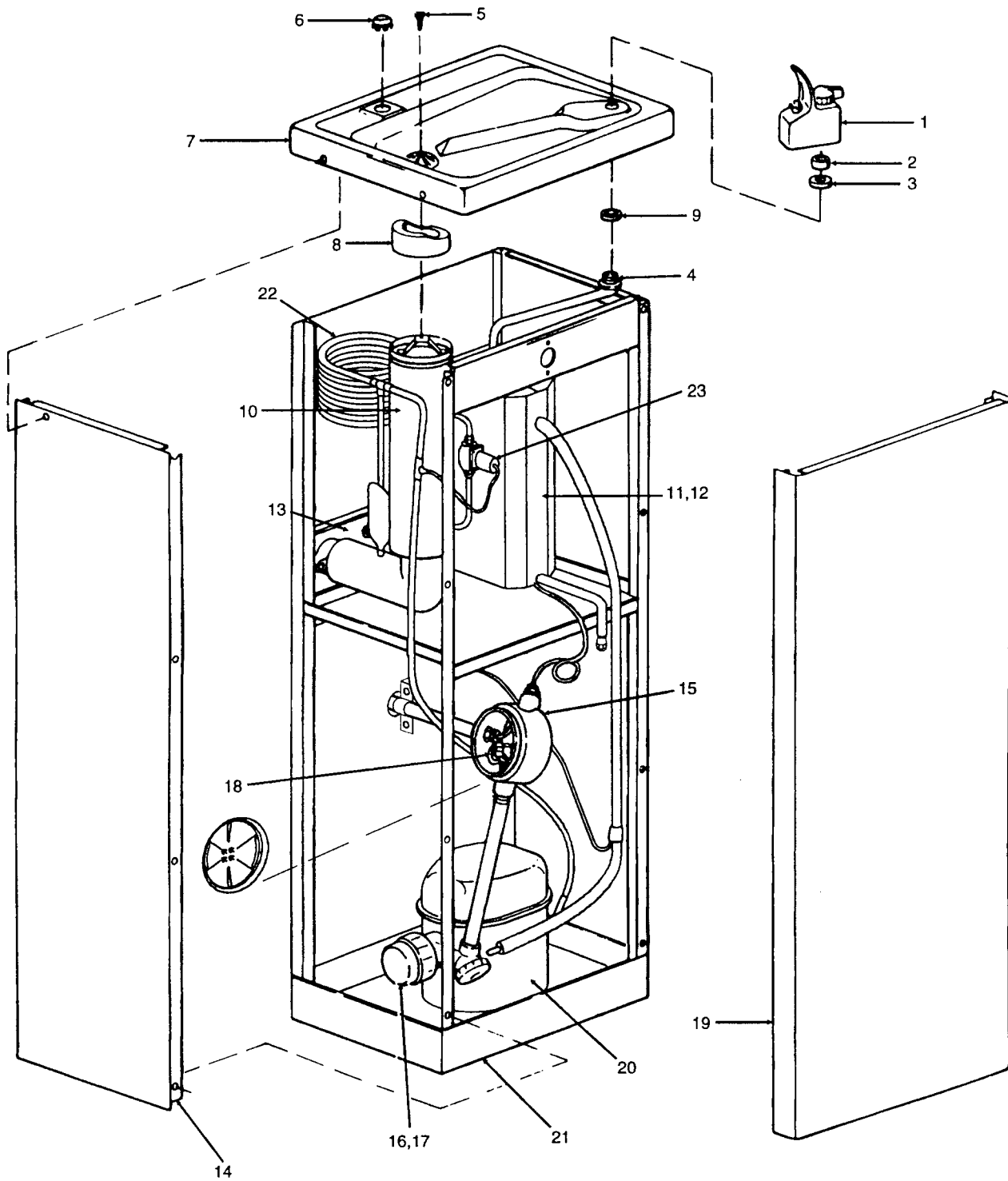


SPECIFICATIONS

Voltage	115 VAC ±10%/1PH/60 Hertz
Size (Approx)	40" H., 17" W., 14" D.
Shipping Weight (Approx)	97 LBS.
Cold Water Capacity	16 GPH
Compressor	1/5 HP
Compressor (Full Load)	3.6 Amps
Refrigerant	134A
Refrigerant Charge	3.6 OZ. (102 GRAMS)

*A.R.I. Rating: Room Temperature 90°F; Supply Water Temperature 80°F; Drinking Water Temperature 50°F.

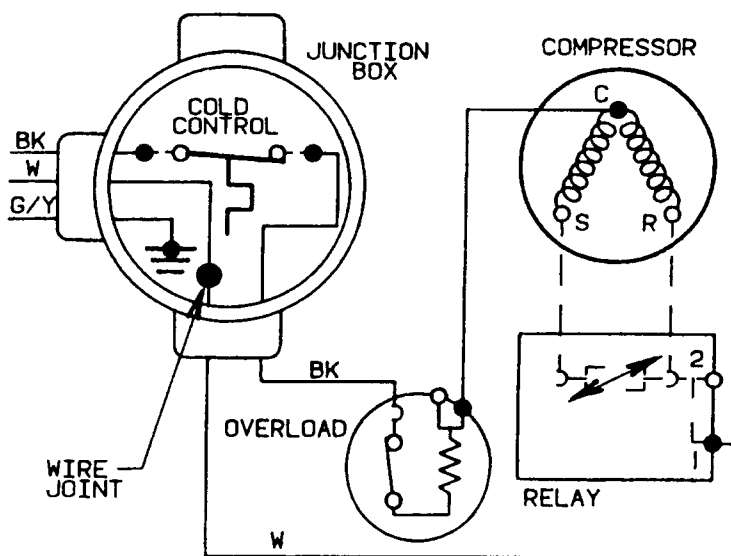
Specifications subject to change without notice.



PARTS LIST

ITEM NO.	DESCRIPTION	P16FSWHD-100	P16FSWHD-CP-100
1	Bubbler Valve Assembly	030774-002	030774-002
2	Valve Body Gasket	028706-006	028706-006
3	Friction Washer	028706-013	028706-013
4	Bubbler Spud	028701-002	028701-002
5	Drain Screw	026655-002	026655-002
6	Cover	016994-003	016994-003
7	Top	028965-005	028965-005
8	Waste Gasket	018050	018050
9	Gasket (Under Top)	028706-001	028706-001
10	Insulated Precooler Assembly	027133-005	027133-006
11	Insulated Cooling Tank Assembly	031703-002	031703-003
12	Cooling Tank Insulation (Right Side)	028660-001	028660-001
12	Cooling Tank Insulation (Left Side)	028661-001	028661-001
13	Rear Panel – Tan	027132-005	-----
	Rear Panel – Stainless Steel	-----	027132-006
14	Side Panel – Tan	019403-004	-----
	Side Panel – Stainless Steel	-----	019403-005
15	Junction Box	026417-001	026417-001
16	Relay	025817-005	025817-005
17	Overload	028707-001	028707-001
18	Cold Control w/Bushing	026512	026512
19	Front Panel – Tan	018385-001	-----
	Front Panel – Stainless Steel	-----	018385-003
20	Compressor Assembly (Includes Items 16 and 17)	025908-007	025908-008
21	Base Assembly – Tan	028924-002	-----
	Base Assembly – Stainless Steel	-----	028924-004
22	Condenser	027045-004	027045-004
23	Valve Assembly, Water Regulator	026039-001	026039-001
 NOT SHOWN			
	Refrigerant Drier	031593-004	031593-004
	Heat Exchanger Assembly	032109-001	032109-002
	Foot Pedal Kit	026645-011	026645-012
	Glass Filler Installation Kit	031505-001	031505-001

ELECTRICAL DIAGRAM



● - TERMINATION POINT

OASIS® & AQUARIUS® are registered trademarks of EBCO Manufacturing Company
 The trademarks Kelvinator® and White-Weastinghouse® are used under license from White Consolidated Industries, Inc.

EBCO® MANUFACTURING COMPANY

265 N. Hamilton Rd. • P.O. Box 13150 • Columbus, OH 43213-0150 • 614/861-1350 • Fax: 614/861-5017

Copyright 1996 EBCO Manufacturing Co.