



## Illustrated Parts Breakdown

Models: **P8AM-D301, P8AMS-D301,  
PAM-002 & PAMS-002**



### SPECIFICATIONS:

#### Models: P8AM-D300 & P8AMS-D300

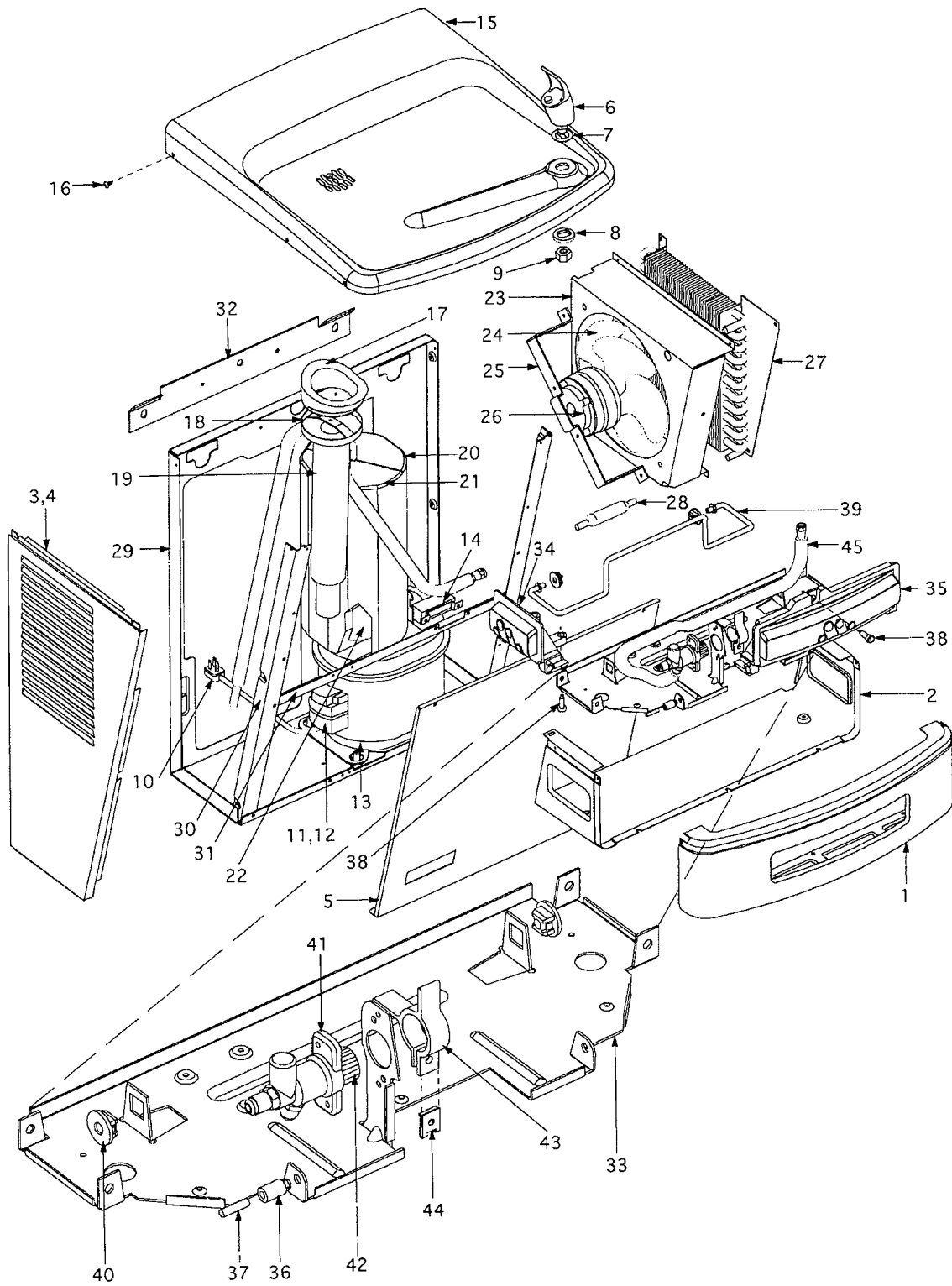
|                          |                                |
|--------------------------|--------------------------------|
| Voltage                  | 115VAC±10%/1 PH/60 Hertz       |
| Size                     | 22 15/32"H, 17 1/2"W, 18 1/2"D |
| Shipping Weight (Approx) | 59 lbs.                        |
| Cold Water Capacity*     | 8 GPH                          |
| Compressor               | 1/4 hp                         |
| Compressor (Full Load)   | 4.8 amps                       |
| Refrigerant              | 134a                           |
| Refrigerant Charge       | 4.75 OZ                        |

#### Models: PAM-002 & PAMS-002

|                          |                                |
|--------------------------|--------------------------------|
| Size                     | 22 15/32"H, 17 1/2"W, 18 1/2"D |
| Shipping Weight (Approx) | 25 lbs.                        |

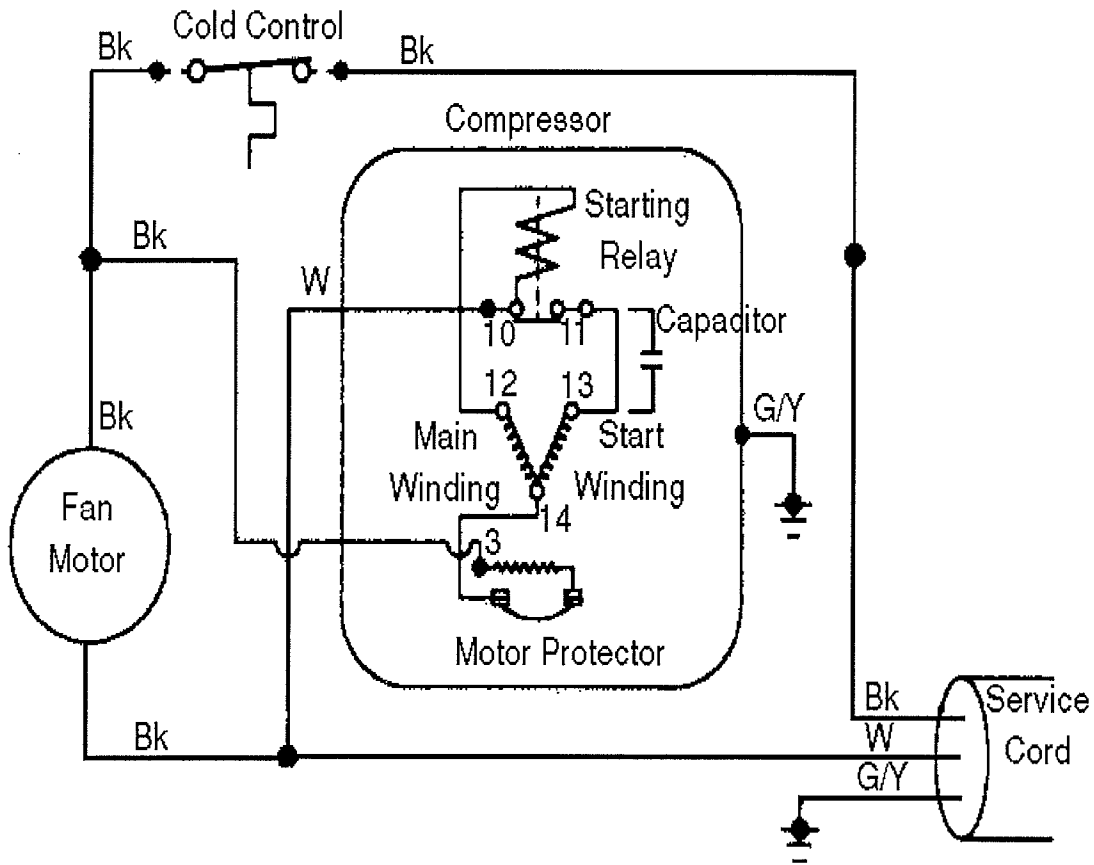
\*Ratings: Room Temperature 90°F; Supply Water Temperature 80°F; Drinking Water Temperature 50°F.

Specifications subject to change without notice.



| Item#     | Description                                    | P8AM-D301  | P8AMS-D301 | PAM-002    | PAMS-002   |
|-----------|--|------------|------------|------------|------------|
| 1         | Front Nose, Sandstone (Powdercoat).....        | 031754-011 | 031754-011 | 031754-011 | 031754-011 |
|           | Front Nose, Graystone (Powdercoat).....        | 031754-012 | 031754-012 | 031754-012 | 031754-012 |
|           | Front Nose, Stainless Steel.....               | 031754-007 | 031754-007 | 031754-007 | 031754-007 |
| 2         | Housing, Middle Sandstone (Powdercoat).....    | 031753-006 | 031753-106 | 031753-006 | 031753-106 |
|           | Housing, Middle Graystone (Powdercoat).....    | 031753-007 | 031753-107 | 031753-007 | 031753-107 |
|           | Housing, Middle Stainless Steel.....           | 031753-003 | 031753-103 | 031753-003 | 031753-103 |
| 3         | Panel, Side Left Sandstone (Powdercoat).....   | 031751-006 | 031751-106 | 031751-006 | 031751-006 |
|           | Panel, Side Left Graystone (Powdercoat).....   | 031751-007 | 031751-107 | 031751-007 | 031751-007 |
|           | Panel, Side Left Stainless Steel.....          | 031751-003 | 031751-103 | 031751-003 | 031751-003 |
| 4         | Panel, Side Right Sandstone (Powdercoat).....  | 031750-006 | 031750-006 | 031750-006 | 031750-106 |
|           | Panel, Side Right Graystone (Powdercoat).....  | 031750-007 | 031750-007 | 031750-007 | 031750-107 |
|           | Panel, Side Right Stainless Steel.....         | 031750-003 | 031750-003 | 031750-003 | 031750-103 |
| 5         | Panel, Front Sandstone (Powdercoat).....       | 031752-006 | 031752-006 | 031752-006 | 031752-006 |
|           | Panel, Front Graystone (Powdercoat).....       | 031752-007 | 031752-007 | 031752-007 | 031752-007 |
|           | Panel, Front Stainless Steel.....              | 031752-003 | 031752-003 | 031752-003 | 031752-003 |
| 6         | Bubbler Valve FlexGuard.....                   | 032799-005 | 032799-005 | 032799-005 | 032799-005 |
|           | Bubbler Valve Stainless Steel.....             | 032799-001 | 032799-001 | 032799-001 | 032799-001 |
|           | Nozzle Assembly.....                           | 030029-005 | 030029-005 | 030029-005 | 030029-005 |
| 7         | Gasket.....                                    | 028706-031 | 028706-031 | 028706-031 | 028706-031 |
| 8         | Washer, Undertop.....                          | 028706-030 | 028706-030 | 028706-030 | 028706-030 |
| 9         | Nut.....                                       | 026824-019 | 026824-019 | 026824-019 | 026824-019 |
| 10        | Cord Assy, Power Supply.....                   | 026540-045 | 026540-045 | N/A        | N/A        |
| 11        | Relay/Overload.....                            | 032836-007 | 032836-007 | N/A        | N/A        |
| 12        | Start Capacitor.....                           | 027956-004 | 027956-004 | N/A        | N/A        |
| 13        | Compressor Assy (includes 11).....             | 033425-001 | 033425-001 | N/A        | N/A        |
| 14        | Cold Control.....                              | 027040-039 | 027040-039 | N/A        | N/A        |
| 15        | Top.....                                       | 031714-001 | 031714-001 | 031714-001 | 031714-001 |
| 16        | Screw, Torx Head.....                          | 031875-003 | 031875-003 | 031875-003 | 031875-003 |
| 17        | Gasket, Waste.....                             | 031756-001 | 031756-001 | 031756-001 | 031756-001 |
| 18        | Waste Assy.....                                | 031892-001 | 031892-002 | 031892-001 | 023046-001 |
| 19        | Insulation, Waste Assy.....                    | 031497-006 | 031497-005 | 031497-006 | 031497-004 |
| 20        | Insulation, Cooling Tank R/H.....              | 033431-001 | 033431-001 | N/A        | N/A        |
| 21        | Insulation, Cooling Tank L/H.....              | 033431-002 | 033431-002 | N/A        | N/A        |
| 22        | Cooling Tank Assy, Insulated.....              | 033469-001 | 033469-001 | N/A        | N/A        |
| 23        | Shroud, Fan.....                               | 031767-001 | 031767-001 | N/A        | N/A        |
| 24        | Blade, Fan.....                                | 024033     | 024033     | N/A        | N/A        |
| 25        | Bracket, Fan Motor.....                        | 026969     | 026969     | N/A        | N/A        |
| 26        | Motor, Fan.....                                | 027354-036 | 027354-036 | N/A        | N/A        |
| 27        | Condenser.....                                 | 031766-001 | 031766-001 | N/A        | N/A        |
| 28        | Drier, Refrigerant.....                        | 033380-003 | 033380-003 | N/A        | N/A        |
| 29        | Frame, Back/Bottom.....                        | 031747-001 | 031747-001 | 031747-001 | 031747-001 |
| 30        | Strut, Support.....                            | 031748-001 | 031748-001 | 031748-001 | 031748-001 |
| 31        | Angle, Cross Brace.....                        | 031772-001 | 031772-001 | 031772-001 | 031772-001 |
| 32        | Hanger Bracket.....                            | 031363-002 | 031363-002 | 031363-002 | 031363-002 |
| 33        | Shelf, Activation.....                         | 031853-001 | 031853-001 | 031853-001 | 031853-001 |
| 34        | Push Button Assy, R/H.....                     | 031951-001 | N/A        | 030951-001 | N/A        |
|           | Push Button Assy, L/H.....                     | 031951-002 | N/A        | 030951-002 | N/A        |
| 35        | Push Button, Front.....                        | 031763-001 | 031763-001 | 031763-001 | 031763-001 |
| 36        | Body, Push Rivet.....                          | 031856-001 | 031856-001 | 031856-001 | 031856-001 |
| 37        | Rivet, Push.....                               | 031859-001 | 031859-001 | 031859-001 | 031859-001 |
| 38        | Screw, Adjust.....                             | 031858-001 | 031858-001 | 031858-001 | 031858-001 |
| 39        | Rod, Activation.....                           | 031854-002 | N/A        | 031854-002 | N/A        |
| 40        | Bushing, Rod.....                              | 031857-002 | N/A        | 031857-002 | N/A        |
| 41        | Valve Body.....                                | 032045-002 | 032045-002 | 032045-002 | 032045-002 |
| 42        | Stem Assy.....                                 | 013059-005 | 013059-005 | 013059-005 | 013059-005 |
| 43        | Wheel Arm, Valve.....                          | 031765-001 | 031765-001 | 031765-001 | 031765-001 |
| 44        | Clip, U Type.....                              | 030409-002 | 030409-002 | 030409-002 | 030409-002 |
| 45        | Tube Assy, Valve to Bubbler.....               | 031739-002 | 031739-002 | 031739-002 | 031739-002 |
| Not Shown |  |            |            |            |            |
|           | Heat Exchanger Assy.....                       | 031869-004 | 031869-004 | N/A        | N/A        |
|           | Valve Body & Stem Assy (includes 41 & 42)..... | 032046-001 | 032046-001 | 032046-001 | 032046-001 |
|           | Strainer, In-Line.....                         | 033264-003 | 033264-003 | 033264-003 | 033264-003 |
|           | Brace Panel (PAM).....                         | N/A        | N/A        | 032102-001 | 032102-002 |
|           | Supply Line (PAM).....                         | N/A        | N/A        | 032041-001 | 032041-002 |
|           | Supply Line Extension.....                     | N/A        | N/A        | N/A        | 032312-001 |
|           | Waste T.....                                   | N/A        | N/A        | N/A        | 019733     |
|           | Waste Extension.....                           | N/A        | N/A        | N/A        | 018066-008 |
|           | Waste Arm.....                                 | N/A        | N/A        | N/A        | 029611-003 |

**Wiring Diagram:  
P8AM-D301 & P8AMS-D301**



**OASIS Corporation**

265 N Hamilton Rd • PO Box 13150 • Columbus OH 43213  
 614/861-1350 • 888-820-7525  
 614/861-0231 Fax  
 www.oasiswatercoolers.com